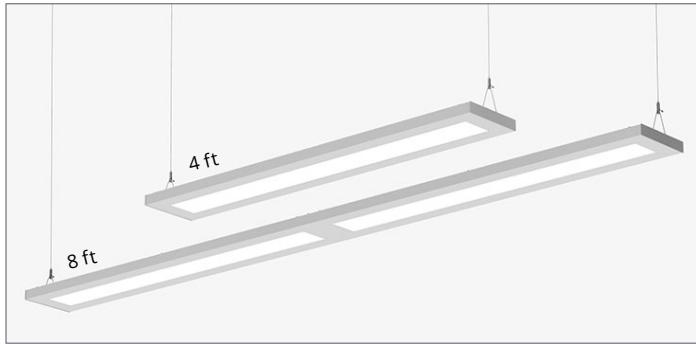


STAIL RMEP8

LED . PENDANT . DIRECT/INDIRECT



PART #:	
PREP BY:	DATE:
PROJECT:	
NOTES:	
APPROVAL SIGNATURE:	DATE (DD/MM/YYYY):

PERFORMANCE SUMMARY @ 3500K		CM	ODCM	73M	35M	25CM
		L3				
Lumens	80 CRI	5759	5544	5962	5773	5635
	90 CRI	5039	4851	5217	5051	4931
Distribution % (Up / Down)		65 / 35	54 / 46	73 / 27	34 / 66	26 / 74
Wattage		48.6				
Efficacy	80 CRI	119	114	123	119	116
	90 CRI	104	100	107	104	101
L70 Estimate (h)		≥ 60,000 hrs				

See page 2 for the complete Light Level Performance chart. Based on 4 ft sections.

FEATURES

- Efficacy up to 123 lm/W
- Available in direct / indirect distribution
- Available in 90 CRI

ORDERING LOGIC

Example Part Number: RMEP8-2L35K-8-CM-WT-L31-PA18-1-D-90

RMEP8												
1	2	3	4	5	6	7	8	9	10	11		
1. SERIES RMEP8	2. COLOR TEMP 2L30K 3000K 2L35K 3500K 2L40K 4000K 90 CRI is available under OPTIONS	3. LENGTH 4 4 ft 8 8 ft RA Continuous Rows Replace "A" with length in feet selected on p2	4. OPTICS CM UP: Clear Optics, Straight Reflector DOWN: Meta Ice (65 Up / 35 Down) ODCM UP: Opal Optics, Straight Reflector DOWN: Meta Ice (54 Up / 46 Down) 73M UP: No Optics, Straight Reflector DOWN: Meta Ice (73 Up / 27 Down) 35M UP: No Optics, Angled Reflector DOWN: Meta Ice (34 Up / 66 Down) 25CM UP: Clear Optics, Angled Reflector DOWN: Meta Ice (26 Up / 74 Down) Meta Ice: High output semi-diffuse lens				5. FINISH SG Silver / Grey Textured Coat WT White Textured C Custom Finish Specify RAL:		6. LIGHT LEVEL/DRIVER L1 Select Driver below. L2 L3 See Light Level Performance chart on p2. L4			
7. CIRCUITRY 1 1 Circuit EM Emergency / Night Light * B Emergency Battery Pack *B (Remote Mounted)		8. MOUNTING PAA Pendant Aircraft Cable PTA Pendant Aircraft Cable for T-bar Replace "A" with length (inches) selected below. Select Aircraft Cable Length and Canopy Finish below			9. VOLTAGE 1 120 V 2 277 V 3 347 V 4 UNV (120 - 277V)		10. CONTROLS / SENSORS _ None (leave space empty) D Wattstopper Daylight Sensor O Wattstopper Occupancy Sensor DO Wattstopper Daylight and Occupancy Sensors			11. OPTIONS 90 90 CRI, High R9 _ None (leave space empty)		

*Two wire entries required. | *Battery operates 4ft sections only.

Select Driver:

- Factory option 0-10V, 1% Dimming
- LHE** Lutron H-Series Hi-lume 1% EcoSystem LED Driver
- LA2** Lutron A-Series Hi-lume 1% 2-wire LED Driver
- L5E** Lutron 5-Series EcoSystem LED Driver

Select Aircraft Cable Length:

Total adjustment range is 6" up & down for each standard length. All other lengths are considered custom unless otherwise stated.

Select:	Imperial (in)	Metric (mm)
<input type="checkbox"/>	12	305
<input type="checkbox"/>	18	460
<input type="checkbox"/>	24	610
<input type="checkbox"/>	30	760
<input type="checkbox"/>	36	915
<input type="checkbox"/>	42	1067
<input type="checkbox"/>	48	1220

Select:	Imperial (in)	Metric (mm)
<input type="checkbox"/>	54	1372
<input type="checkbox"/>	60	1525
<input type="checkbox"/>	72	1830
<input type="checkbox"/>	96	2440
<input type="checkbox"/>	120	3050
<input type="checkbox"/>	144	3660
<input type="checkbox"/>	Custom Length:	_____

Select Canopy Finish:

Canopy	
<input type="checkbox"/>	White
<input type="checkbox"/>	Custom Finish
	RAL: _____

Light Level Performance | 3500K, 80 CRI, 0-10V Dimming (Standard), 4ft sections


Optics	CM			ODCM			73M			35M			25CM		
	Lumens	Wattage	Efficacy	Lumens	Wattage	Efficacy	Lumens	Wattage	Efficacy	Lumens	Wattage	Efficacy	Lumens	Wattage	Efficacy
L1	3006	27.8	108	2842	27.8	102	3114	27.8	112	3014	27.8	108	2942	27.8	106
L2	3927	35.4	111	3712	35.4	105	4064	35.4	115	3936	35.4	111	3841	35.4	108
L3	5759	48.6	119	5544	48.6	114	5962	48.6	123	5773	48.6	119	5635	48.6	116
L4	9418	97.2	97	8902	97.2	91	9748	97.2	100	9440	97.2	97	9214	97.2	95

Lumen Adjustment Factor

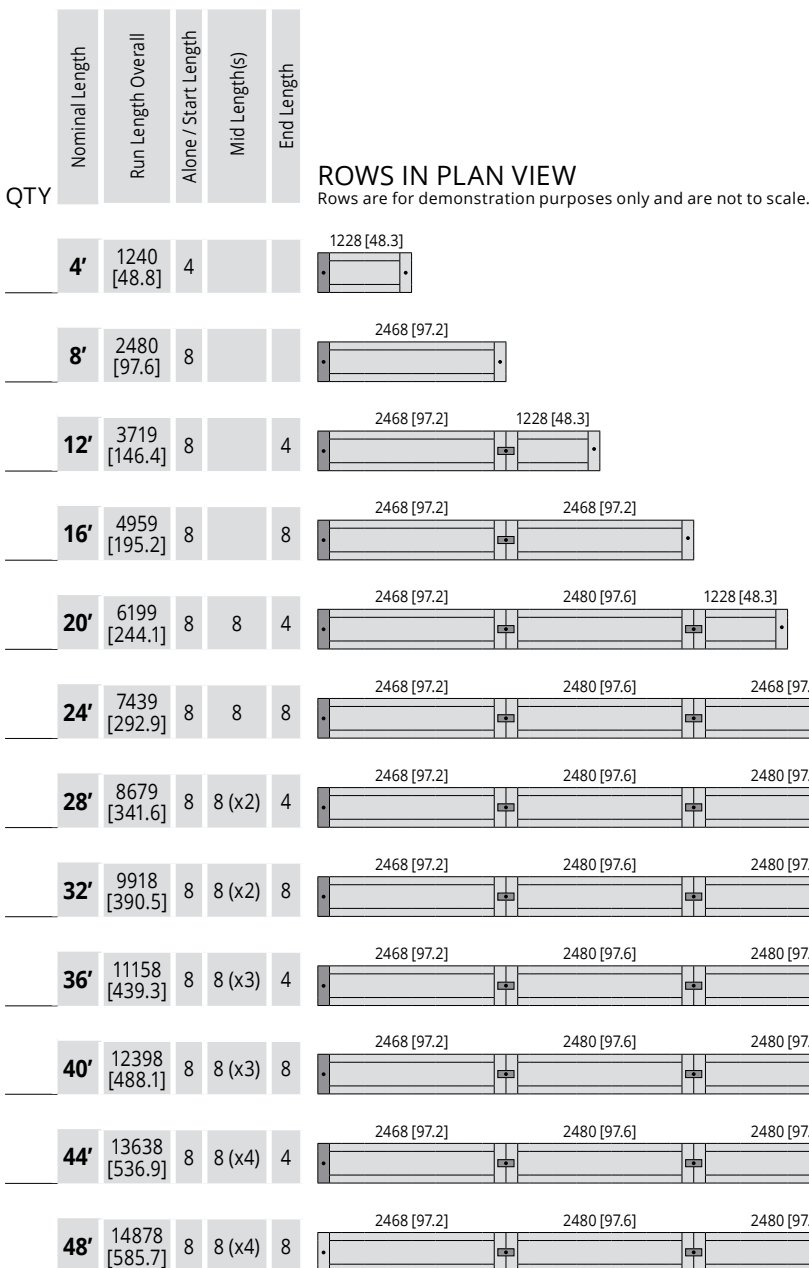
Color Temp	80 CRI	90 CRI
3000K	0.984	0.880
3500K	1.000	0.875
4000K	1.032	0.879

CONTINUOUS ROWS

Step 1) Indicate desired quantity of rows under the QTY column

Step 2)  If applicable, select pod(s) per row to indicate desired emergency lighting / night light / battery location. If a similar row requires a different Emergency lighting location, please fill out another sheet.

Record drawings for rows not represented here will be sent out upon order.



LEGEND

- Standard (STD) Wire Entry Location
- Emergency (EM) / Night Light Location
- EM or Battery Wire Entry Location

Mounting Points

A = Distance Between Mounting Points

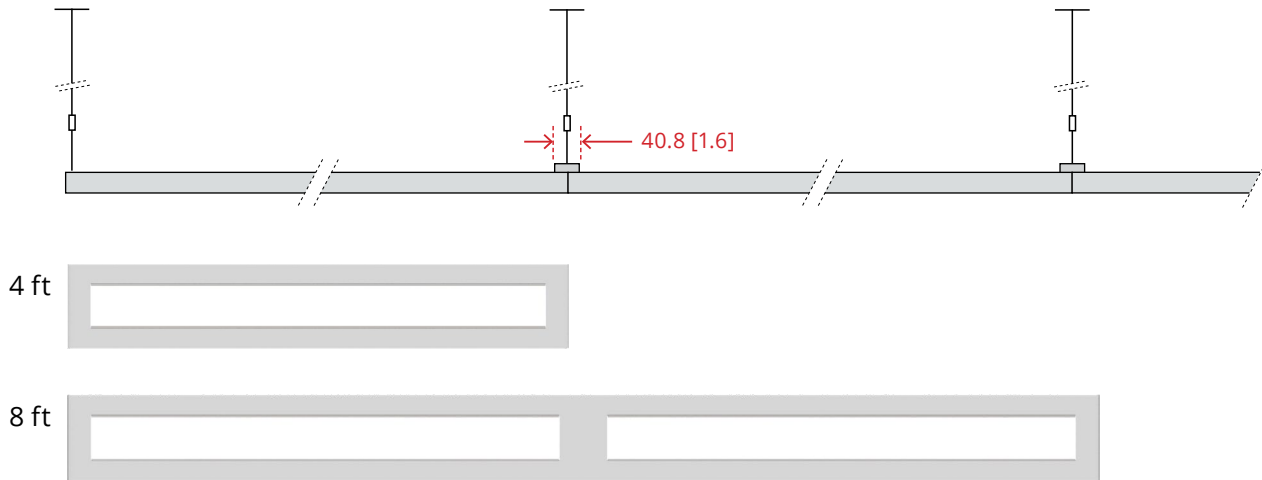
EM / Night Light and EM or Battery Wire Entry location in relation to pod selections:

Examples 20 ft run

Refer to page 3 for Hanger information

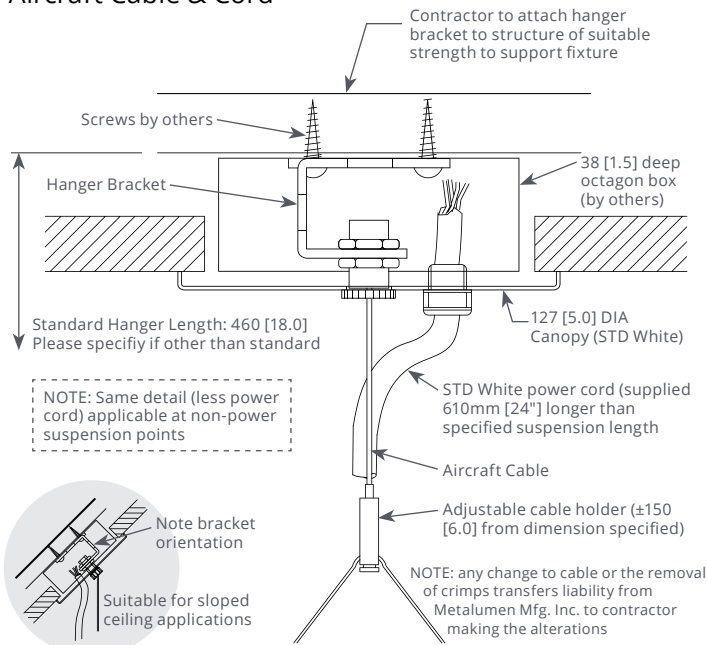


CONTINUOUS ROWS (continued)

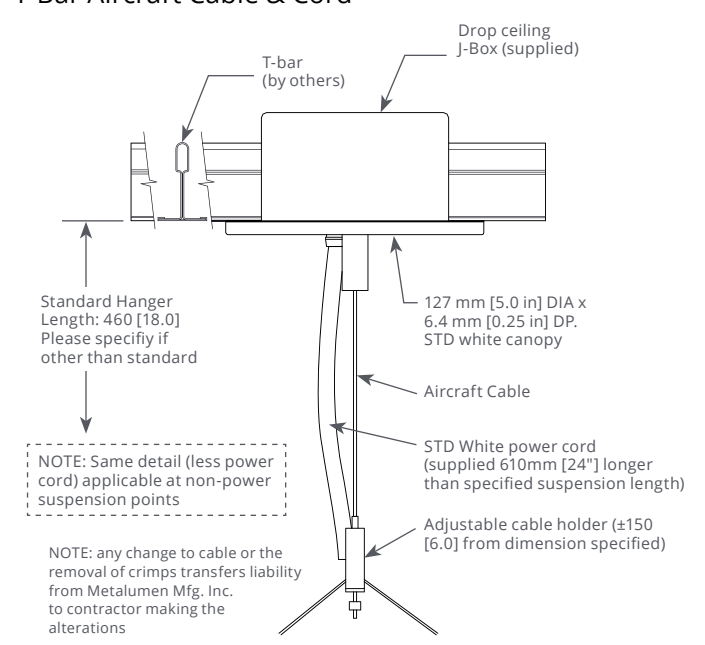


HANGER

Aircraft Cable & Cord



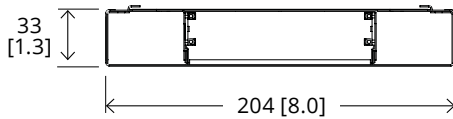
T-Bar Aircraft Cable & Cord



WIRING

Standard Wiring	Emergency Wiring	Emergency Battery Pack Wiring
<p>BLACK - LINE WHITE - NEUTRAL GREEN - GROUND RED - CAPPED/SW LEAD VIOLET - DIM(+) GREY - DIM(-)</p>	<p>BLACK - LINE WHITE - NEUTRAL GREEN - GROUND RED - CAP OFF</p>	<p>BLACK - LINE WHITE - NEUTRAL GREEN - GROUND RED - UNSWITCHED HOT</p>

CROSS SECTIONS



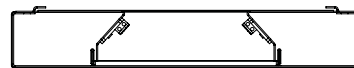
CM
Clear Optics, Straight Reflector



ODCM
Opal Optics, Straight Reflector



73M
No Optics, Straight Reflector



35M
No Optics, Angled Reflector



25CM
Clear Optics, Angled Reflector

SPECIFICATIONS

Due to the Continuous Improvement Policy at Metalumen, we reserve the right to change our specifications without notice.

Housing: Cold rolled steel body fabrication, 0.91mm (20 Ga.) wall thickness.

Optical System: Metalumen luminaires are designed to utilize leading edge LED technology combined with luminaire optimized reflectors and our custom diffusers, resulting in industry leading optical performance.

CRI: Minimum 83 CRI at 3500K.

Lumen Maintenance: At an ambient operating temperature of 25°C the LED lifetime expectancy ≥ 60 000hrs at L70.

Finish: Silver/grey textured and white are standard finishes. For custom finish, contact factory.

Weight: 1.8 kg/300mm [4 lb/ft]

Mounting: Aircraft cable with Quick-Grip field adjustable suspension

system provides for quick and easy onsite alignment.

Electrical: Factory prewired with easy wire quick connect sections.

Drivers: Metalumen offers 0-10V dimming* as a standard on our entire LED product offering. Dimming range is 1%-100%. Power factor is > 90%. Class 2 rating.

Approvals: All components are UL/

CSA/QPS recognized or listed. RoHS compliant.

Environment: Suitable for dry locations.

**Standard drivers compatible with passive/sinking dimmers. Please contact Metalumen if active/sourcing dimmer support is required.*

WARRANTY

Metalumen will warrant defective luminaires for 5 years from date of purchase. Warranty is valid if luminaire is installed and used according to specification. If defective, Metalumen will send replacement boards or drivers at no cost along with detailed replacement instructions and instructions on how to return defective components to Metalumen.

OPTICS DISTRIBUTION SUMMARY

Cross Section	Part Number	Delivered Lumens	Input Wattage	Efficacy	Direct Lumens	Direct %	Indirect Lumens	Indirect %	Distribution Photometry
---------------	-------------	------------------	---------------	----------	---------------	----------	-----------------	------------	-------------------------

CM = Clear Optics, Straight Reflector (65 Up / 35 Down)

	RMEP8-2L35K-4-CM-XX-L1X-XX-X	3006	27.8	108	1035	34	1970	66	
	RMEP8-2L35K-4-CM-XX-L2X-XX-X	3927	35.4	111	1351	34	2574	66	
	RMEP8-2L35K-4-CM-XX-L3X-XX-X	5759	48.6	119	1987	34	3770	66	
	RMEP8-2L35K-4-CM-XX-L4X-XX-X	9418	97.2	97	3246	34	6169	66	

ODCM = Opal Optics, Straight Reflector (55 Up / 45 Down)

	RMEP8-2L35K-4-ODCM-XX-L1X-XX-X	2842	27.8	102	1285	44	1608	56	
	RMEP8-2L35K-4-ODCM-XX-L2X-XX-X	3712	35.4	105	1680	44	2091	56	
	RMEP8-2L35K-4-ODCM-XX-L3X-XX-X	5544	48.6	114	2462	44	3079	56	
	RMEP8-2L35K-4-ODCM-XX-L4X-XX-X	8902	97.2	91	4155	44	5187	56	

73M = No Optics, Straight Reflector (73 Up / 27 Down)

	RMEP8-2L35K-4-73M-XX-L1X-XX-X	3114	27.8	112	832	27	2278	73	
	RMEP8-2L35K-4-73M-XX-L2X-XX-X	4064	35.4	115	1088	27	2975	73	
	RMEP8-2L35K-4-73M-XX-L3X-XX-X	5962	48.6	123	1596	27	4364	73	
	RMEP8-2L35K-4-73M-XX-L4X-XX-X	9748	97.2	100	2609	27	7135	73	

35M = No Optics, Angled Reflector (35 Up / 65 Down)

	RMEP8-2L35K-4-35M-XX-L1X-XX-X	3014	27.8	108	1982	66	1034	34	
	RMEP8-2L35K-4-35M-XX-L2X-XX-X	3936	35.4	111	2587	66	1352	34	
	RMEP8-2L35K-4-35M-XX-L3X-XX-X	5773	48.6	119	3797	66	1980	34	
	RMEP8-2L35K-4-35M-XX-L4X-XX-X	9440	97.2	97	6211	66	3237	34	

25CM = Clear Optics, Angled Reflector (25 Up / 75 Down)

	RMEP8-2L35K-4-25CM-XX-L1X-XX-X	2942	27.8	106	2183	74	761	26	
	RMEP8-2L35K-4-25CM-XX-L2X-XX-X	3841	35.2	108	2851	74	994	26	
	RMEP8-2L35K-4-25CM-XX-L3X-XX-X	5635	48.6	116	4180	74	1461	26	
	RMEP8-2L35K-4-25CM-XX-L4X-XX-X	9214	97.2	95	6842	74	2381	26	