



SPS-0559 REV A

ACORN LED SCHOOLHOUSE SCONCE

JOB NAME: _____ FIXTURE TYPE: _____



BLE - W - _____ - _____ - _____ - _____ - _____ - _____
A B C D E F

Order Example: BLE - W - ACN - 600 - PB4 - 600 - LED16 - 2700K

A - GLASS STYLE

ACN Opaque Acorn Glass
ACNCL Clear Acorn Glass

B - MOUNTING & FITTER FINISH

POWDER COAT FINISHES:

- 100** Black
- 105** Textured Black
- 200** White
- 300** Dark Green
- 307** Emerald Green
- 311** Jadite
- 370** Mint
- 380** Chartreuse
- 390** Teal
- 400** Barn Red
- 420** Orange
- 470** Watermelon
- 480** Blush Pink
- 490** Magenta
- 495** Sherbet Orange
- 500** Buttery Yellow
- 570** Sunflower
- 600** Bronze
- 601** Chocolate

B - MOUNTING & FITTER FINISH (CONTINUED)

POWDER COAT FINISHES:

- 605** Rust
- 615** Oil-Rubbed Bronze
- 700** Royal Blue
- 705** Navy
- 710** Cobalt Blue
- 715** Delphite Blue
- 790** Lavender
- 800** Industrial Grey
- 805** Charcoal Granite
- 810** Graphite
- 975** Galvanized

C - PAINTED BAND

- NA** No Painted Band
- PB4** Three Painted Bands
- PB5** Three Painted Bands
- PB6** Five Painted Bands

D - PAINTED BAND FINISH

- NA** Not Applicable
- 100** Black
- 200** White¹
- 307** Emerald Green
- 311** Jadite
- 390** Teal
- 400** Barn Red
- 490** Magenta
- 500** Buttery Yellow
- 600** Bronze
- 700** Royal Blue
- 705** Navy
- 715** Delphite Blue

E - LIGHT SOURCE

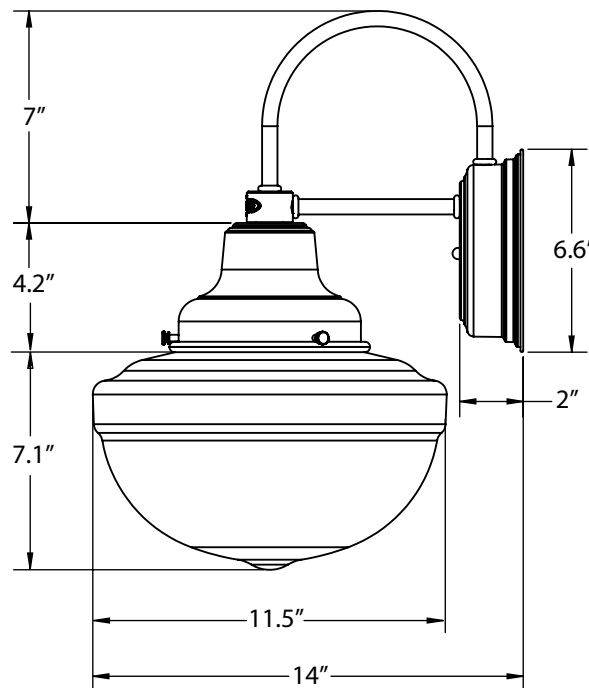
- LED11** 850 Lumen, 11W LED
- LED16** 1250 Lumen, 16W LED

F - COLOR TEMPERATURE

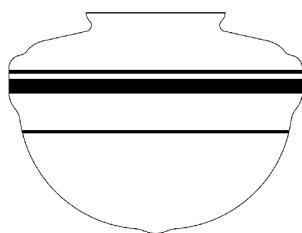
- 2700K** 2700K, Warm White
- 3000K** 3000K, Neutral White
- 3500K** 3500K, Bright White
- 4000K** 4000K, Cool White

IMPORTANT: (1) White Painted Band not recommended if Opaque Glass is selected in Section A, as it blends into opaque glass

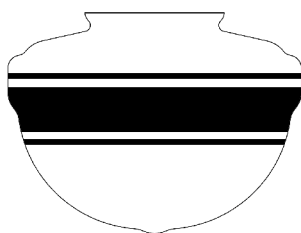
DIMENSIONAL DRAWING



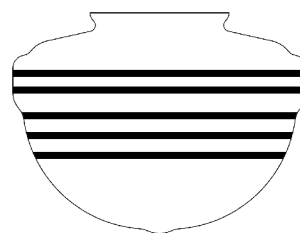
PAINTED BANDS



PB4 THREE PAINTED BANDS



PB5 THREE PAINTED BANDS



PB6 FIVE PAINTED BANDS

SPECIFICATIONS

CERTIFICATIONS, LISTINGS & WARRANTY

MADE IN THE USA
 Manufactured and Hand-Crafted in Our 60,000 Square Foot Facility
 Located in Titusville, FL

CSA LISTED FOR DAMP LOCATIONS

LIMITED WARRANTY
 For Additional Information on Our Limited Warranty, Please See
 Our Terms & Conditions

OPERATING TEMPERATURE
 -30°C to 40°C

DIMMING

TRI-MODE DIMMING™
 Compatible with TRIAC (forward-phase or leading-edge), ELV
 (reverse-phase or trailing-edge) and 0-10 V Dimmers

DIMMING RANGE 1-100%
 The Dimming Range Is Dependent on Each Specific Dimmer. May
 Not Be Able to Achieve 1% Dimming with Some Dimmers.

TRIAC AND ELV DIMMING ONLY AT 120 VAC

ELV DIMMING AT 230 VAC
 Available by Request

COMPATIBLE DIMMERS
 Consult Factory for Additional Information on Dimming

CONSTRUCTION & FINISH

BACKING PLATE
 Hand-Spun from High Purity 3003-O Temper Aluminum
 (Alternatively, Spun from High Quality Galvanized Steel if 975
 Finish is Chosen)

WALL SCONCE ARM
 1/4" Nominal (0.50" Actual) Brass Electroplated Steel Tubing
 Mounting Arm

FITTER
 Hand-Spun from High Purity 3003-O Temper Aluminum
 (Alternatively, Spun from High Quality Galvanized Steel if 975
 Finish is Chosen)

POWDER COAT FINISHES
 Polyester Powder Coat Finishes Are Electro-Statically Applied and
 Thermocured

MAX FIXTURE WEIGHT
 10 lbs

ELECTRICAL/LED DRIVER

DRIVER TYPE: ERP ESS/T

POWER FACTOR > 0.9

EFFICIENCY: UP TO 87% TYPICAL

INPUT VOLTAGE: 120-277 VAC (SEE DIMMING SECTION)

CLASS 2 POWER SUPPLY

LED DRIVER LIFETIME: > 100,000 HOURS (@ 25 DEG C AMBIENT)

IP64 MINIMUM RATING CASE WITH SILICONE-BASED POTTING

PROTECTIONS
 Output Open Load, Over-Current and Short-Circuit (hiccup), and
 Over-Temperature with Auto Recovery

CONDUCTED AND RADIATED EMI
 Compliant with FCC CFR Title 47 Part 15 Class B (120 Vac), Class A
 (277 Vac) and EN55015 (CISPR 15) at 220, 230 and 240 Vac

COMPLIANT WITH
 Complies with Energy Star® DLR (DesignLight Consortium®) and CA
 Title 24 Technical Requirements

LED 11, 16 LIGHT SOURCE

LED TYPE: CREE LMH2 MODULE
 INITIAL LUMENS DELIVERED: UP TO 1250 LUMENS

L90(6K) > 36,300 HOURS

AVAILABLE CCT: 2700K, 3000K, 3500K, 4000K
 Custom Temperatures Available upon Request

90+ CRI

2 STEP MACADAMS ELLIPSE

EFFICACY: UP TO 93 LPW
 High Efficacy Available upon Request, Consult Factory for
 Additional Information