



SPS-0558 REV B

ACORN SCHOOLHOUSE SCONCE

JOB NAME: _____ FIXTURE TYPE: _____



BLE - W - _____ - _____ - _____ - _____ - _____ - _____ - _____ - _____

A B C D E F

G

Order Example: BLE - W - ACN - 600 - PB4 - 600 - LWL - CSBB - E26

A - GLASS STYLE

ACN Opaque Acorn Glass
ACNCL Clear Acorn Glass

B - MOUNTING & FITTER FINISH**POWDER COAT FINISHES:**

100 Black
105 Textured Black
106 Matte Black
200 White
206 Matte White
300 Dark Green
307 Emerald Green
311 Jadite
370 Mint
380 Chartreuse
390 Teal
400 Barn Red
420 Orange
470 Watermelon
480 Blush Pink
490 Magenta
495 Sherbet Orange
500 Buttery Yellow

B - MOUNTING & FITTER FINISH (CONTINUED)**POWDER COAT FINISHES:**

570 Sunflower
600 Bronze
601 Chocolate
605 Rust
615 Oil-Rubbed Bronze
700 Royal Blue
705 Navy
710 Cobalt Blue
715 Delphite Blue
790 Lavender
800 Industrial Grey
805 Charcoal Granite
810 Graphite
975 Galvanized

C - PAINTED BAND

NA No Painted Band
PB4 Three Painted Bands
PB5 Three Painted Bands
PB6 Five Painted Bands

D - PAINTED BAND FINISH

NA Not Applicable
100 Black
200 White¹
307 Emerald Green
311 Jadite
390 Teal
400 Barn Red
490 Magenta
500 Buttery Yellow
600 Bronze
700 Royal Blue
705 Navy
715 Delphite Blue

E - PLUG-IN OPTION

NA None
LWL Plug with Inline On/Off Switch²

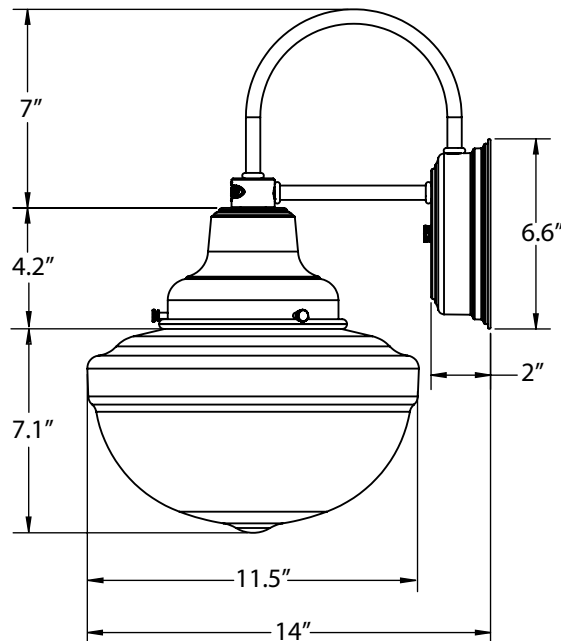
F - PLUG-IN CORD OPTION³**NA** Not Applicable**CSA LISTED CORD OPTIONS:**

SBK Standard Black
SWH Standard White
CSB Black Cloth
CSW White Cloth
CMG Grey Cloth
CSR Red Cloth
CRZ Red Chevron Cloth
CSBB Black & Brown Cloth
CSRW Red & White Cloth
CSGW Gold & White Cloth
CSBG Black & Gold Cloth
CSBW Black & White Cloth
CSBP Black & Pink Cloth
CSUW Blue & White Cloth

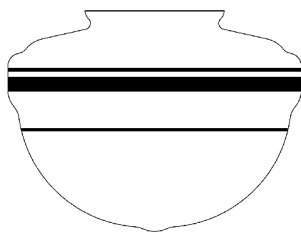
G - SOCKET TYPE

E26 100 Watt Max
GU24 18 Watt Max⁴

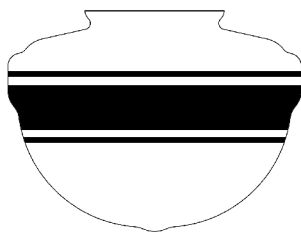
IMPORTANT: (1) White Painted Band not recommended if Opaque Glass is selected in Section A, as it blends into opaque glass (2) SWH-Standard White Cord and CSW-White Cloth Cord include a white plug and switch, all other cord options will include a black plug and switch (3) Only applicable if Plug-In Option is selected in Section E, select NA if otherwise (4) Fixtures configured with a GU24 socket are non-returnable

MOUNTING DIMENSIONS

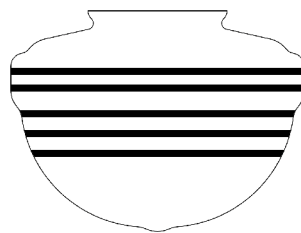
PAINTED BANDS



PB4 THREE PAINTED BANDS



PB5 THREE PAINTED BANDS



PB6 FIVE PAINTED BANDS

SPECIFICATIONS

CERTIFICATIONS, LISTINGS & WARRANTY

MADE IN THE USA
Manufactured and Hand-Crafted in Our 60,000 Square Foot Facility
Located in Titusville, FL

CSA LISTED FOR DAMP LOCATIONS
(Plug-In Option CSA Listed for Dry Location Only)

LIMITED WARRANTY
For Additional Information on Our Limited Warranty, Please See
Our Terms & Conditions

LIGHT SOURCE

INCANDESCENT
E26 Medium Base Socket, 120 VAC, 100W Max

COMPACT FLUORESCENT
Bi-Pin Base GU24 Socket, 120 VAC, 18W Max

CONSTRUCTION & FINISH

BACKING PLATE & FITTER
Hand-Spun from High Purity 3003-O Temper Aluminum

WALL SCONCE ARM
1/4" Nominal (0.50" Actual) Brass Electroplated Steel Tubing
Mounting Arm

GALVANIZE BACKING PLATE & FITTER
Hand Spun from High Quality Galvanized Steel

POWDER COAT FINISHES
Polyester Powder Coat Finishes Are Electro-Statically Applied and
Thermocured

CORD & PLUG
Complete with 8 Feet of Cord and 2-Prong Polarized Plug, Includes
Inline On/Off Switch

MAX FIXTURE WEIGHT
10 lbs