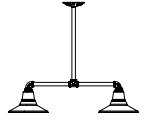




SPS-0260 REV C

AERO 2-LIGHT STEM MOUNT PENDANT

JOB NAME: _____ FIXTURE TYPE: _____



Order Example: BLE - S - ST2 - SBA12 - 550 - ST706 - 12 - 975 - SC - WGG - RIB - 975 - E26

A - SHADE FINISH**POWDER COAT FINISHES¹:**

100	Black
105	Textured Black
106	Matte Black
200	White
206	Matte White
300	Dark Green
307	Emerald Green
311	Jadite
370	Mint
380	Chartreuse
390	Teal
400	Barn Red
420	Orange
470	Watermelon
480	Blush Pink
490	Magenta
495	Sherbet Orange
500	Buttery Yellow
570	Sunflower
600	Bronze
601	Chocolate
605	Rust
615	Oil-Rubbed Bronze
700	Royal Blue
705	Navy
710	Cobalt Blue
715	Delphite Blue
790	Lavender
800	Industrial Grey
805	Charcoal Granite
810	Graphite
975	Galvanized

PORCELAIN FINISHES²:

150	Black
250	White
350	Vintage Green
355	Jadite
455	Cherry Red
550	Yellow
650	Bronze
750	Cobalt Blue
765	Delphite Blue
850	Graphite
950	Metallic Chrome

NATURAL METALS³:

995	Raw Copper
996	Weathered Copper
997	Raw Brass
998	Weathered Brass
999	Oil-Rubbed Copper

B - STEM LENGTH**STEM MOUNT OPTIONS:**

ST706	.75" Stem Mount, 6"
ST712	.75" Stem Mount, 12"
ST718	.75" Stem Mount, 18"
ST724	.75" Stem Mount, 24"
ST736	.75" Stem Mount, 36"
ST748	.75" Stem Mount, 48"

C - ARM LENGTH

12	(2) 12" Mounting Arms
18	(2) 18" Mounting Arms

D - MOUNTING FINISH

*Please Note: See **Section A** for Finish Options. 980-Brushed Aluminum is also available. If Porcelain Finish is selected, mounting will be powder coat painted-to-match.*

(1) If a Natural Metal is selected, please note the Canopy, two elbows, two hex couplers and T-joint will come in a 980-Brushed Aluminum finish.

980	Brushed Aluminum
------------	------------------

E - CANOPY⁴

SC	Standard Canopy
HSC	Hang Straight Canopy
HDSMC	Heavy Duty Stem Mount Canopy

F - SHADE ACCESSORY⁴

NA	None
WC	(2) Wire Cages ⁵
ACR	(2) Acrylic Diffusers ^{5,6,7}
CGG	(2) Standard Cast Guard
TGG	(2) Heavy Duty Cast Guard
WGG	(2) Wire Guard

G - GLASS OPTIONS⁸

NA	Not Applicable
CLR	Clear Glass
FST	Frosted Glass
RIB	Ribbed Glass
BLU	Blue Glass
RED	Red Glass
AMB	Amber Glass
GRN	Green Glass

H - SHADE ACCESSORY FINISH

*Please Note: See **Section A** for Finish Options. Natural Metals not applicable. If Porcelain Finish selected, accessory will be powder coat painted-to-match*

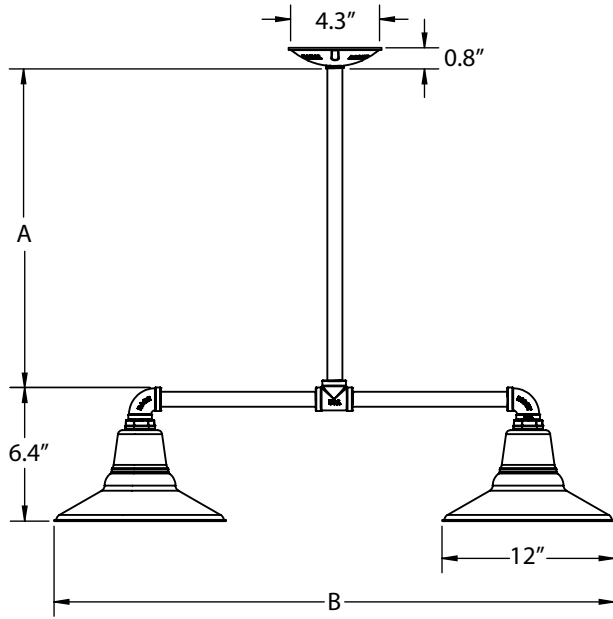
NA	Not Applicable
-----------	----------------

I - LIGHT SOURCE

E26	200 Watt Max
GU24	24 Bi-Pin CFL, 23W Max ^{9,10}

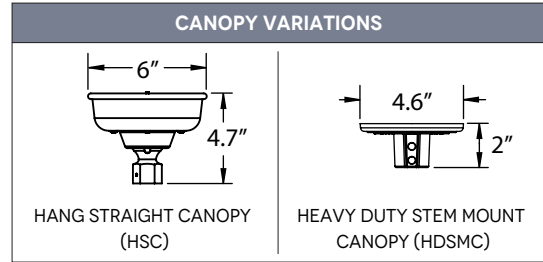
IMPORTANT: (1) All Powder Coat finished shades, excluding 975-Galvanized, feature a white interior (2) All Porcelain Enamel finished shades feature a white interior and a black outer rim (3) Natural Metals have a longer estimated lead time, please check the website for exact lead time. No returns are accepted on Natural Metals (4) Not available in Natural Metals (5) Not available with Guard & Glass accessory (6) Acrylic Diffuser accessory reduces incandescent wattage to 40W (7) Fixture is UL Listed for Damp Locations with Acrylic Diffuser (8) Guard and Glass accessory reduces incandescent wattage to 100W Max and GU24 Bi-Pin to 18W Max (9) Fixtures configured with GU24 socket are non-returnable (10) Not available with Acrylic Diffuser accessory

MOUNTING DIMENSIONS



SHOWN ABOVE WITH: STANDARD CANOPY

STEM LENGTH	MOUNTING LENGTH (A)	WIDTH (B)	
		(2) 12" ARMS	(2) 18" ARMS
ST706	8.4"	39"	51"
ST712	14.4"	39"	51"
ST718	20.4"	39"	51"
ST724	26.4"	39"	51"
ST736	38.4"	39"	51"
ST748	50.4"	39"	51"



SPECIFICATIONS

CERTIFICATIONS, LISTINGS & WARRANTY

MADE IN THE USA
 Manufactured and Hand-Crafted in Our 60,000 Square Foot Facility Located in Titusville, FL

CSA LISTED FOR WET LOCATIONS
 ACR is UL Listed for Damp Locations

LIMITED WARRANTY
 For Additional Information on Our Limited Warranty, Please See Our Terms & Conditions

CONSTRUCTION & FINISH

- POWDER COAT SHADE
Hand-Spun from High Purity 3003-O Temper Aluminum
- GALVANIZE SHADE
Hand Spun from High Quality Galvanized Steel
- PORCELAIN SHADE
Hand-Spun from 20 Gauge Porcelain Steel
- POWDER COAT FINISHES
Polyester Powder Coat Finishes Are Electro-Statically Applied and Thermocured
- PORCELAIN FINISHES
Applied by Hand and Fired in a High Temperature Oven
- COPPER
Hand-Spun from High Purity C11000-O60 ETP Copper
- BRASS
Hand-Spun from High Purity C2600-O60 Brass

CONSTRUCTION & FINISH (CONTINUED)

STEM
 3/4" Nominal (1.05" Actual) Sch 40, 6063 Aluminum Mounting Stem. Custom lengths available upon request.

LIGHT SOURCE

- INCANDESCENT
Medium Base E26 Socket, 120 VAC, 200W Max
- COMPACT FLUORESCENT
Bi-Pin Base GU24 Socket, 120 VAC, 23W Max