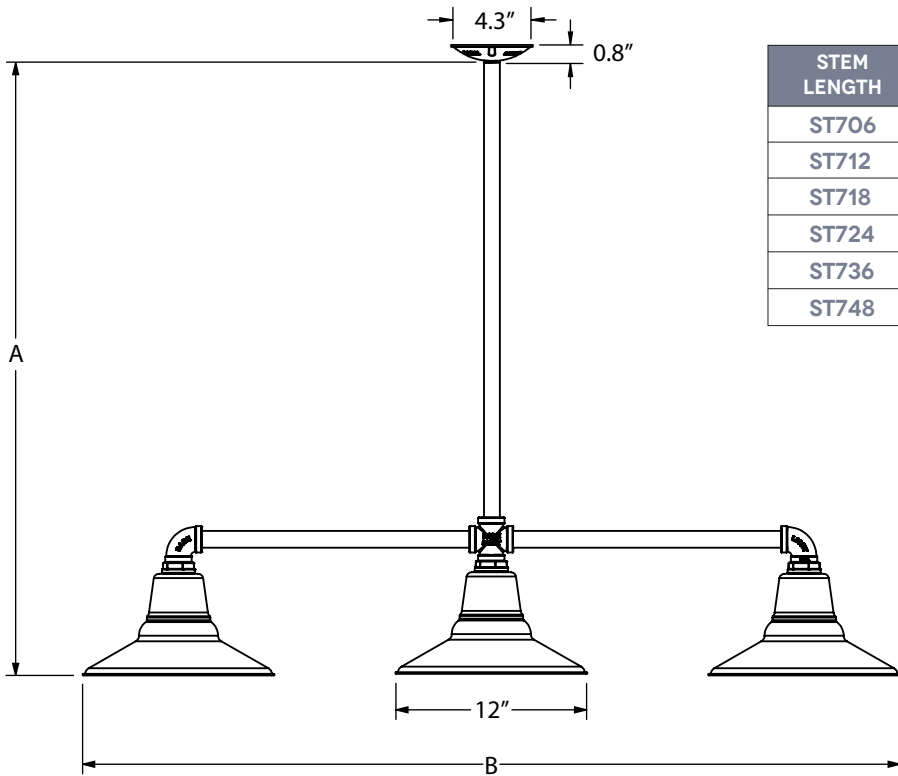


MOUNTING DIMENSIONS



SHOWN ABOVE WITH: STANDARD CANOPY

STEM LENGTH	MOUNTING LENGTH (A)	WIDTH (B)	
		(2) 18" ARMS	(2) 24" ARMS
ST706	14.8"	51"	63"
ST712	20.8"		
ST718	26.8"		
ST724	32.8"		
ST736	44.8"		
ST748	56.8"		

CANOPY VARIATIONS

HANG STRAIGHT CANOPY (HSC)

HEAVY DUTY STEM MOUNT CANOPY (HDSMC)

SPECIFICATIONS

CERTIFICATIONS, LISTINGS & WARRANTY

MADE IN THE USA
 Manufactured and Hand-Crafted in Our 60,000 Square Foot Facility Located in Titusville, FL

CSA LISTED FOR WET LOCATIONS
 ACR is UL Listed for Damp Locations

LIMITED WARRANTY
 For Additional Information on Our Limited Warranty, Please See Our Terms & Conditions

CONSTRUCTION & FINISH (CONTINUED)

COPPER
 Hand-Spun from High Purity C11000-O60 ETP Copper

BRASS
 Hand-Spun from High Purity C2600-O60 Brass

STEM
 3/4" Nominal (1.05" Actual) Sch 40, 6063 Aluminum Mounting Stem. Custom lengths available upon request.

CONSTRUCTION & FINISH

POWDER COAT SHADE
 Hand-Spun from High Purity 3003-O Temper Aluminum

GALVANIZED SHADE
 Hand Spun from High Quality Galvanized Steel

PORCELAIN SHADE
 Hand-Spun from 20 Gauge Porcelain Steel

POWDER COAT FINISHES
 Polyester Powder Coat Finishes Are Electro-Statically Applied and Thermocured

PORCELAIN FINISHES
 Applied by Hand and Fired in a High Temperature Oven

LIGHT SOURCE

INCANDESCENT
 Medium Base E26 Socket, 120 VAC, 200W Max

COMPACT FLUORESCENT
 Bi-Pin Base GU24 Socket, 120 VAC, 23W Max