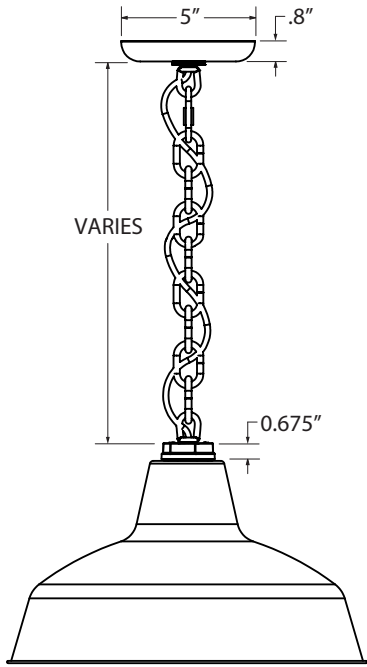


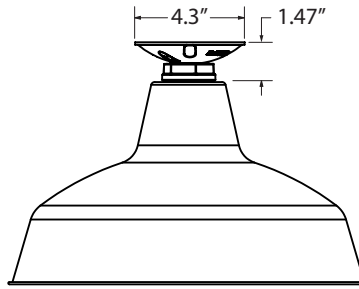


**MOUNTING STYLE**

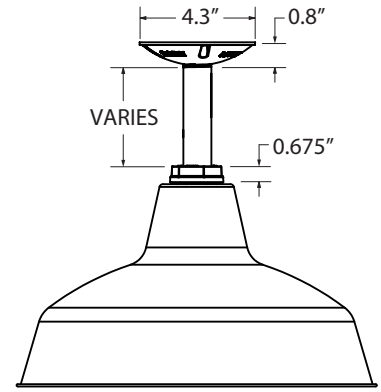
**CHAIN HUNG PENDANT (CN)**



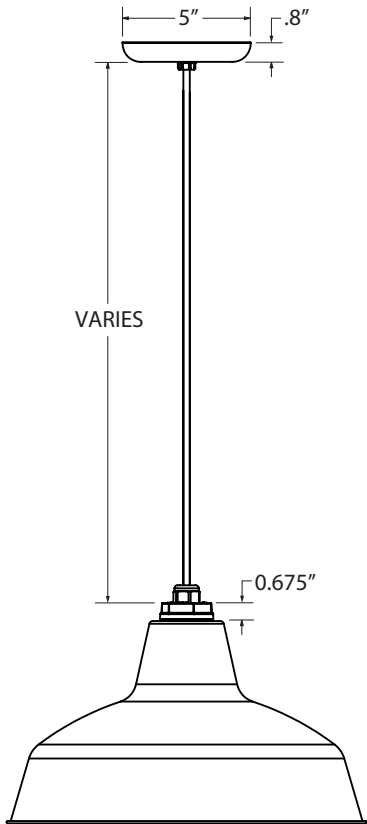
**FLUSH MOUNT (F)**



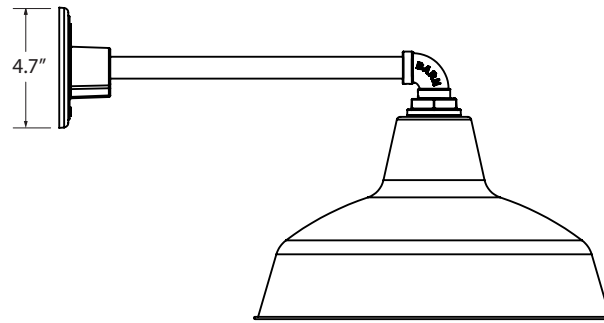
**STEM MOUNT PENDANT (S)**



**CORD HUNG PENDANT (C)**

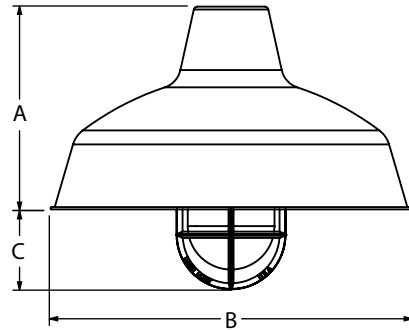


**GOOSENECK (G)**



SHOWN WITH: G1 GOOSENECK ARM

**LUMINAIRE DIMENSIONS**



SHOWN WITH: OPTIONAL GUARD & GLASS ACCESSORY

SHADE CODE	HEIGHT (A)	DIAMETER (B)	EXTENSION (C)
WHA8	5.25"	8"	N/A
WHA10	6"	10"	N/A
WHA12	6.75"	12"	3.9"
WHA14	7.75"	14"	3.1"
WHA16	8.50"	16"	2.3"

**SPECIFICATIONS****CERTIFICATIONS, LISTINGS & WARRANTY**

## MADE IN THE USA

Manufactured and Hand-Crafted in Our 60,000 Square Foot Facility  
Located in Titusville, FL

## CSA LISTED FOR WET LOCATIONS

Includes All Gooseneck, Stem and Flush Mounting Styles  
ACR UL Listed for Damp Locations for Gooseneck and Stem  
Mounting Styles

## CSA LISTED FOR DAMP LOCATIONS

Includes All Chain and Select Cord Hung Mounting Styles  
ACR UL Listed for Damp Locations

## LIMITED WARRANTY

For Additional Information on Our Limited Warranty, Please See  
Our Terms & Conditions

## UL CERTIFICATION

UL Listed Fixtures Available upon Request. Please Consult Factory  
for Additional Information.

**LIGHT SOURCE**

## INCANDESCENT

Medium Base E26 Socket, 120 VAC, 200 Watt Max

## COMPACT FLUORESCENT

Bi-Pin Base GU24 Socket, 120 VAC, 23 Watt Max

**CONSTRUCTION & FINISH**

## POWDER COAT SHADE

Hand-Spun from High Purity 3003-O Temper Aluminum

## PORCELAIN SHADE

Hand-Spun from 20 Gauge Sheet Metal

## GALVANIZE SHADE

Spun from High Quality Galvanized Steel

## POWDER COAT FINISHES

Polyester Powder Coat Finishes Are Electro-Staticly Applied and  
Thermocured

## PORCELAIN FINISHES

Applied by Hand and Fired in a High Temperature Oven

## COPPER

Hand-Spun from High Purity C11000-O60 ETP Copper

## BRASS

Hand-Spun from High Purity C2600-O60 Brass

## STEM

1/2" Nominal (0.84" Actual) or 3/4" Nominal (1.05" Actual) Sch 40,  
6063 Aluminum Mounting Stem. Custom Lengths Available upon  
Request.

## GOOSENECK

1/2" Nominal (0.84" Actual) or 3/4" Nominal (1.05" Actual) Sch 40,  
6063 Aluminum Gooseneck

## CORD

Cord-Hung Pendants Include 7' of Standard Cord or 5' of Cotton or  
Cloth Cord, +/- For Socket Orientation

## CHAIN

4-Gauge Chain Complete with Quick Link for On-Site Adjustments  
to Chain's Length