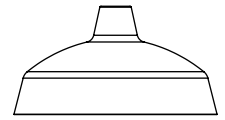




SPS-0744 REV A

AVALON 42" LED PENDANT

JOB NAME: _____ FIXTURE TYPE: _____



BLE - _____ - WHA42 - _____ - _____ - _____ - _____ - _____ - _____ - _____ - _____

A B C D E F G H

_____ - _____

I J

Order Example: BLE - S - WHA42 - 300 - ST7548 - NA - NA - 300 - LED27 - 3000K - DL

A - MOUNTING STYLE

- C-STU** Studio Cable
- S** Stem Mount
- CN** Chain Hung

B - SHADE SIZE

- AVALON:**
WHA42 42" Shade

C - SHADE FINISH

POWDER COAT FINISHES¹:

- 100** Black
- 105** Textured Black
- 106** Matte Black
- 200** White
- 206** Matte White
- 300** Dark Green
- 307** Emerald Green
- 311** Jadite
- 370** Mint
- 380** Chartreuse
- 390** Teal
- 400** Barn Red
- 420** Orange
- 470** Watermelon
- 480** Blush Pink
- 490** Magenta
- 495** Sherbet Orange
- 500** Buttery Yellow
- 570** Sunflower
- 600** Bronze
- 601** Chocolate
- 605** Rust
- 615** Oil-Rubbed Bronze
- 700** Royal Blue
- 705** Navy
- 710** Cobalt Blue
- 715** Delphite Blue
- 790** Lavender
- 800** Industrial Grey
- 805** Charcoal Granite
- 810** Graphite
- 975** Galvanized

D - MOUNTING

CSA LISTED CORD OPTIONS:

- SBK** Standard Black
- SWH** Standard White
- CSB** Black Cloth
- CSW** White Cloth
- CMG** Grey Cloth
- CSR** Red Cloth
- CRZ** Red Chevron Cloth
- CSBW** Black & White Cloth
- CSRW** Red & White Cloth
- CSBG** Black & Gold Cloth
- CSBP** Black & Pink Cloth
- CSGW** Gold & White Cloth
- CSUW** Blue & White Cloth
- CSBB** Black & Brown Cloth

STEM MOUNT OPTIONS:

- ST706** .75" Stem Mount, 6"
- ST712** .75" Stem Mount, 12"
- ST718** .75" Stem Mount, 18"
- ST724** .75" Stem Mount, 24"
- ST736** .75" Stem Mount, 36"
- ST748** .75" Stem Mount, 48"

CHAIN MOUNT OPTIONS:

- CN36** 3' of Chain
- CN48** 4' of Chain
- CN60** 5' of Chain
- CN72** 6' of Chain

E - CORDS²

Please Note: See **Section D** for all applicable CSA Listed Cord Options

- NA** Not Applicable

F - CORD & CABLE LENGTH³

- NA** Not Applicable
- 18** 18" Cable and Cord
- 24** 24" Cable and Cord
- 30** 30" Cable and Cord
- 36** 36" Cable and Cord
- 42** 42" Cable and Cord

G - MOUNTING FINISH

Please Note: See **Section C** for all applicable Mounting Finish options. 980-Brushed Aluminum is also available for Stem Mounting Styles

- (I) If Studio Cable [C-STU] Mounting Style, selection identifies canopy finish.
- (II) If Stem Mount [S] Mounting Style, selection identifies stem and canopy finish.
- (III) If Chain Hung [CN] Mounting Style, selection identifies chain and canopy finish.

- 980** Brushed Aluminum

H - LIGHT SOURCE

- LED11** 850 Lumen
- LED16** 1250 Lumen
- LED27** 2000 Lumen
- LED38** 3000 Lumen
- LED43** 4000 Lumen

I - COLOR TEMPERATURE

- 2700K** 2700K, Warm White
- 3000K** 3000K, Neutral White
- 3500K** 3500K, Bright White
- 4000K** 4000K, Cool White

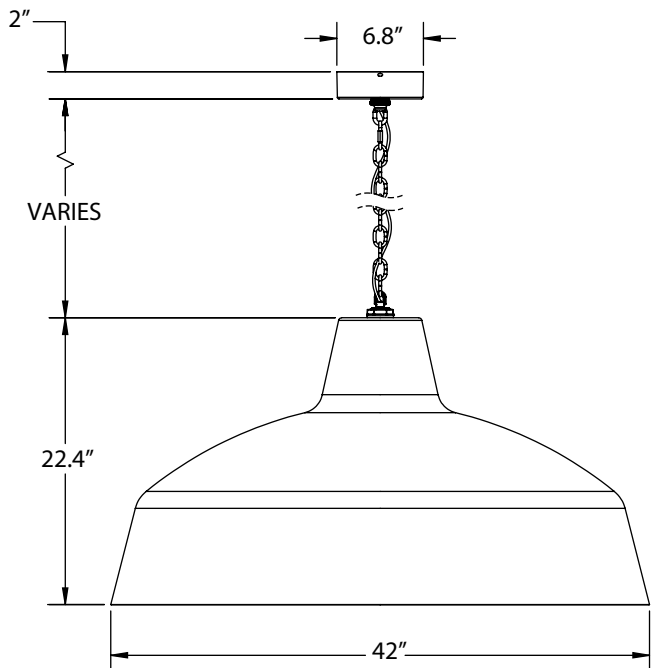
J - LED LENS

- DL** Domed Lens
- FL** Flat Lens

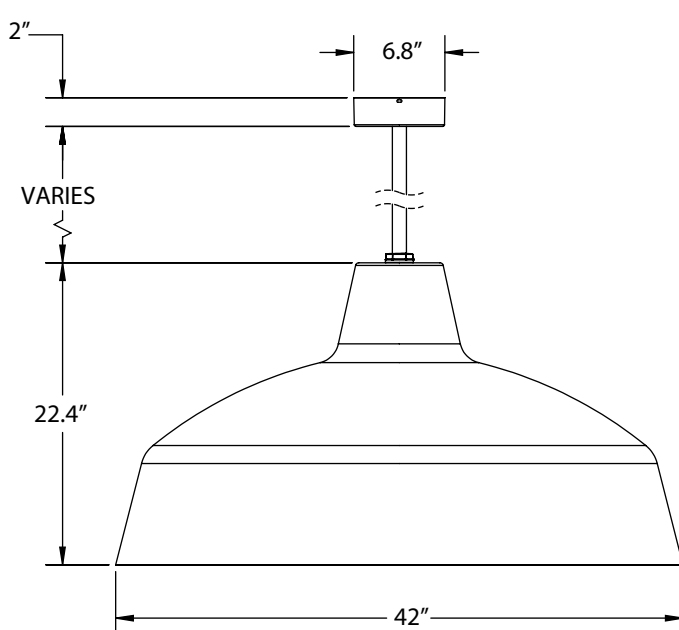
IMPORTANT: (1) All Powder Coat finished shades, Galvanized excluded, feature a white interior (2) Selection only applicable if Chain Hung Mount Style is selected in Section A, select NA if Stem or Studio Cable Mounting Style is selected (3) Selection only applicable if Studio Cable Mount Style is selected in Section A, select NA if Chain Hung or Stem Mounting Style is selected

MOUNTING STYLE

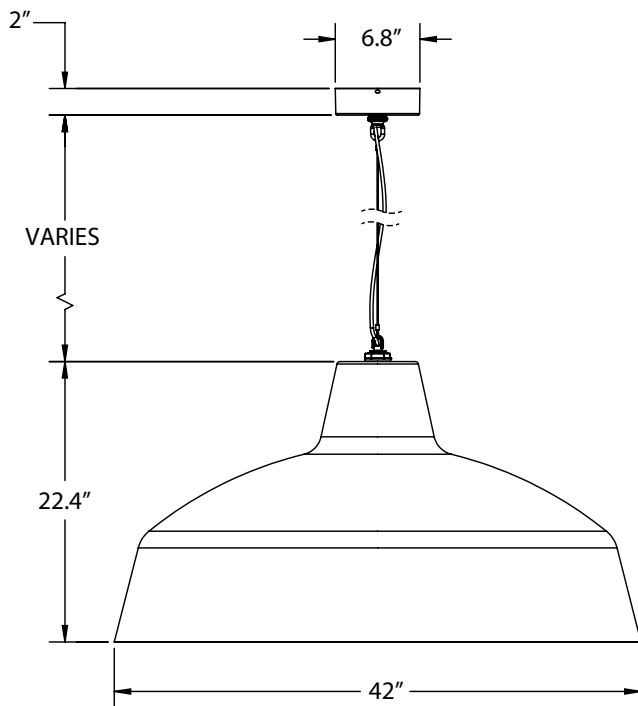
CHAIN HUNG PENDANT (CN)



STEM MOUNT PENDANT (S)



STUDIO CABLE (C-STU)



SPECIFICATIONS

CERTIFICATIONS, LISTINGS & WARRANTY

MADE IN THE USA
 Manufactured and Hand-Crafted in Our 60,000 Square Foot Facility
 Located in Titusville, FL

CSA LISTED FOR WET LOCATIONS
 Includes All Stem Mount Option Only

CSA LISTED FOR DAMP LOCATIONS
 Includes All Chain and Studio Cable Mounting Styles

LIMITED WARRANTY
 For Additional Information on Our Limited Warranty, Please See
 Our Terms & Conditions

CONSTRUCTION & FINISH

POWDER COAT SHADE
 Hand-Spun from High Purity 3003-O Temper Aluminum

POWDER COAT FINISHES
 Polyester Powder Coat Finishes Are Electro-Statically Applied and
 Thermocured

STEM
 3/4" Nominal (1.05" Actual) Sch 40, 6063 Aluminum Mounting
 Stem. Custom Lengths Available upon Request.

CHAIN
 4-Gauge Chain Complete with Quick Link for On-Site Adjustments
 to Chain's Length

STUDIO CABLE
 3/32" Galvanized Steel Cable

LED LIGHT SOURCE

AVAILABLE CCT: 2700K, 3000K, 3500K, 4000K

90+ CRI

ELECTRICAL/LED DRIVER

POWER FACTOR > 0.9

EFFICIENCY: UP TO 87% TYPICAL

INPUT VOLTAGE: 120-277 VAC (SEE DIMMING SECTION)

CLASS 2 POWER SUPPLY

LED DRIVER LIFETIME: > 100,000 HOURS (@ 25 DEG C AMBIENT)

IP64 MINIMUM RATING CASE WITH SILICONE-BASED POTTING

PROTECTIONS
 Output Open Load, Over-Current and Short-Circuit (hiccup), and
 Over-Temperature with Auto Recovery

CONDUCTED AND RADIATED EMI
 Compliant with FCC CFR Title 47 Part 15 Class B (120 Vac), Class A
 (277 Vac) and EN55015 (CISPR 15) at 220, 230 and 240 Vac

COMPLIANT WITH
 Complies with Energy Star® DLR (DesignLight Consortium®) and CA
 Title 24 Technical Requirements

DIMMING

TRI-MODE DIMMING™
 Compatible with TRIAC (forward-phase or leading-edge), ELV
 (reverse-phase or trailing-edge) and 0-10 V Dimmers

DIMMING RANGE 1-100%
 The Dimming Range Is Dependent on Each Specific Dimmer. May
 Not Be Able to Achieve 1% Dimming with Some Dimmers.

TRIAC AND ELV DIMMING ONLY AT 120 VAC

ELV DIMMING AT 230 VAC
 Available by Request

COMPATIBLE DIMMERS
 Consult Factory for Additional Information on Dimming