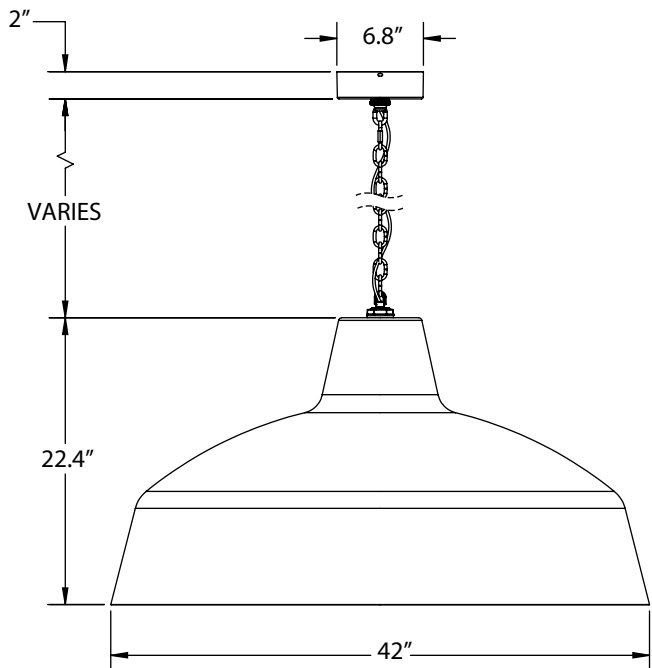


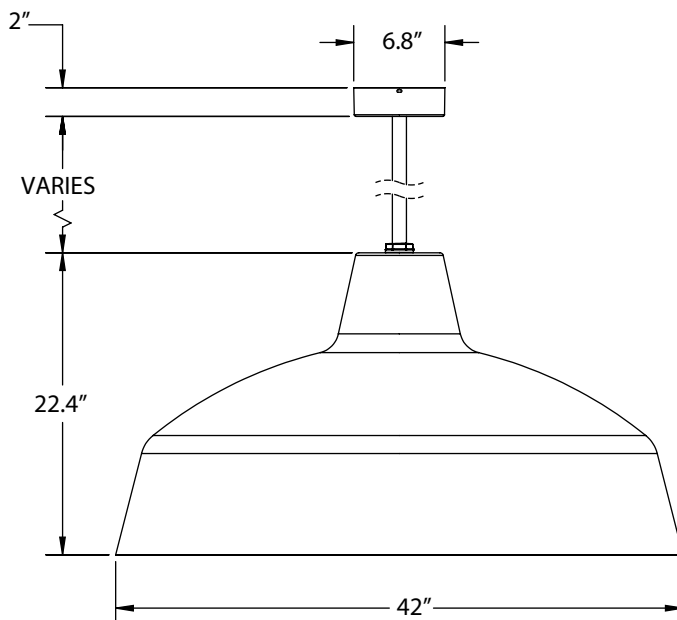


**MOUNTING STYLE**

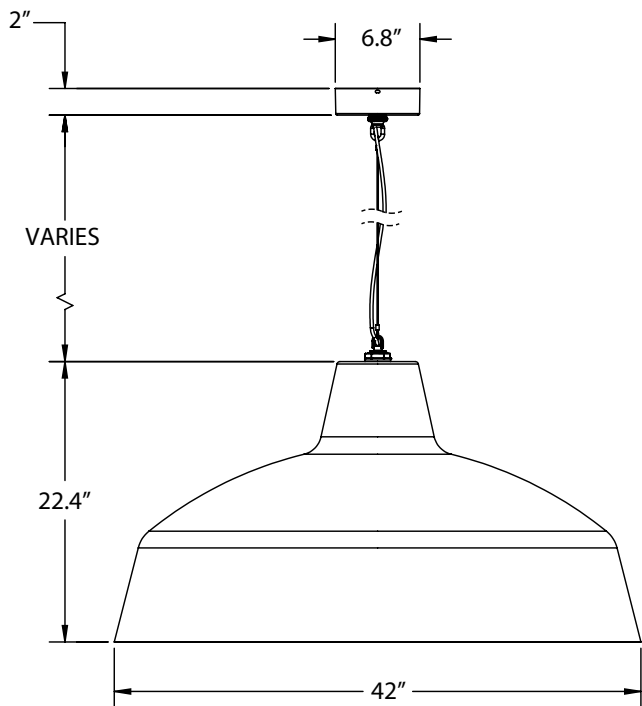
**CHAIN HUNG PENDANT (CN)**



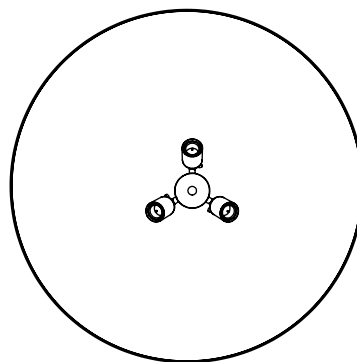
**STEM MOUNT PENDANT (S)**



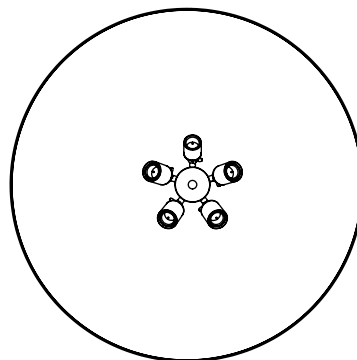
**STUDIO CABLE (C-STU)**



**3 & 5 SOCKET DIAGRAM**



3 Light Source



5 Light Source

**SPECIFICATIONS**

**CERTIFICATIONS, LISTINGS & WARRANTY**

MADE IN THE USA  
**Manufactured and Hand-Crafted in Our 60,000 Square Foot Facility Located in Titusville, FL**

CSA LISTED FOR WET LOCATIONS  
**Includes Stem Mount Option Only**

CSA LISTED FOR DAMP LOCATIONS  
**Includes Chain Hung and Studio Cable Mount Options**

LIMITED WARRANTY  
**For Additional Information on Our Limited Warranty, Please See Our Terms & Conditions**

**CONSTRUCTION & FINISH**

POWDER COAT SHADE  
**Hand-Spun from High Purity 3003-O Temper Aluminum**

POWDER COAT FINISHES  
**Polyester Powder Coat Finishes Are Electro-Statically Applied and Thermocured**

STUDIO CABLE  
**3/32” Galvanized Steel Cable**

STEM  
**3/4” Nominal (1.05” Actual) Sch 40, 6063 Aluminum Mounting Stem. Custom Lengths Available upon Request**

CHAIN  
**4-Guage Chain Complete with Quick Link for On-Site Adjustments to Chain’s Length**

MAX FIXTURE WEIGHT  
**30 lbs**

**LIGHT SOURCE**

INCANDESCENT  
**Medium Base E26 Socket, 120 VAC, 200W Max**

E26/3, 3 SOCKET  
**(3x) Medium Base E26 Sockets, 120 VAC, 100W Max Each**

E26/5, 5 SOCKET  
**(5x) Medium Base E26 Sockets, 120 VAC, 60W Max Each**

COMPACT FLUORESCENT  
**Bi-Pin Base GU24 Socket, 120 VAC, 23W Max**

GU24/3, 3 SOCKET  
**(3x) BiPin Base Sockets, 120 VAC, 23W Max Each**

GU24/5, 5 SOCKET  
**(5x) BiPin Base Sockets, 120 VAC, 23W Max Each**