



REV 10.24.18

BARN LIGHT MINI ARTESIA PENDANT

BARN LIGHT CEILING PENDANT COLLECTION

Max Weight: 10.0 lbs

PROJECT NAME _____

PROJECT TYPE _____

SPS-0273

BLE - C - WHMA - _____ - _____ - _____ - _____
A B C D

Order Example: BLE - C - WHMA - 300 - CBK - 200 - GU24

A - FINISHES

POWDER COAT FINISHES¹:

100	Black
105	Textured Black
200	White
300	Dark Green
307	Emerald Green
311	Jadite
370	Mint
380	Chartreuse
390	Teal
400	Barn Red
420	Orange
470	Watermelon
480	Blush Pink
490	Magenta
500	Buttery Yellow
570	Sunflower
600	Bronze
601	Chocolate
605	Rust
615	Oil-Rubbed Bronze
700	Royal Blue
705	Navy
710	Cobalt Blue
715	Delphite Blue

A - FINISHES (CONTINUED)

POWDER COAT FINISHES¹:

800	Industrial Grey
805	Charcoal Granite
810	Graphite
975	Galvanized

B - CORDS

CSA LISTED CORD OPTIONS:

SBK	Standard Black
SWH	Standard White
CSB	Black Cloth
CSW	White Cloth
CSR	Red Cloth
CSBB	Black & Brown Cloth
CSRW	Red & White Cloth
CSGW	Gold & White Cloth
CSBG	Black & Gold Cloth
CSBW	Black & White Cloth
CSBP	Black & Pink Cloth
CSUW	Blue & White Cloth

NON-CSA LISTED CORD OPTIONS:

CBK	Black Cotton
CMG	Grey Cotton

B - CORDS (CONTINUED)

NON-CSA LISTED CORD OPTIONS:

CRZ	Red Chevron
TBK	Black Cotton Twist
TWH	White Cotton Twist
TBR	Brown Cotton Twist
TRD	Red Cotton Twist
TPT	Putty Cotton Twist
TBW	Black & White Twist
TRW	Red & White Twist
TBB	Brown & Beige Twist

C - CEILING CANOPY FINISH

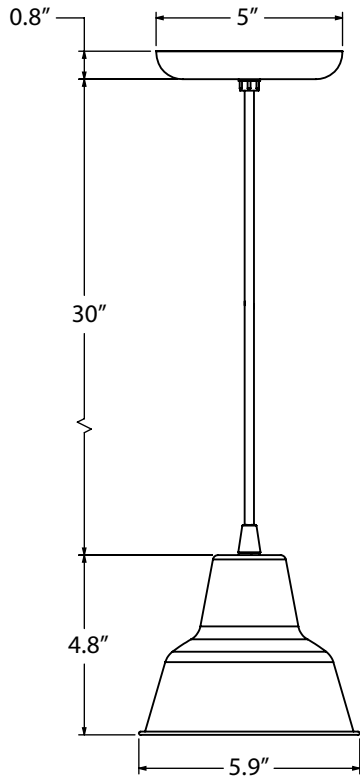
Please Note: See **Section A** for all applicable ceiling canopy finish options

D - SOCKET TYPE

E26	60 Watt Max
GU24	24 Bi-Pin, 18 Watt Max ²

IMPORTANT: (1) All Powder Coat finished shades, with the exception of 975-Galvanized, feature a white interior (2) There are no returns accepted on fixtures configured with a GU24 socket

DIMENSIONAL DRAWING



LIGHT SOURCE

All published luminaire photometric testing performed to IESNA LM-79-08 standards by a NVLAP accredited laboratory. Data is considered to be representative of the configurations shown, within the tolerances allowed by Lighting Facts. To obtain an IES file specific to your project, please contact the factory.

OPTION	WATTAGE	LUMENS <small>*Avg. value, actual value dependent on bulb used</small>	CRI	VOLTAGE	DIMMING
INCANDESCENT (MED E26)					
E26	60W Max	800*	100*	120 VAC	Bulb Dependant
COMPACT FLOURESCENT (GU24 CFL)					
GU24	18W Max	1100*	75*	120 VAC	Bulb Dependant

SPECIFICATIONS

CONSTRUCTION & FINISHES

CANOPY
5" Hand-Spun, High Purity 0.050" Thick 3003-O Temper Aluminum Canopy

CORD
Cord-hung Pendants Include 7' Of Standard Cord Or 5' Of Cotton Cord, +/- For Socket Orientation

POWDER COAT FINISHES
Polyester Powder Coat Finishes Are Electro-Statically Applied and Thermocured on the Canopy

CERTIFICATIONS, LISTINGS & WARRANTY

MADE IN THE USA
Manufactured and Hand-Crafted in Our 60,000 Square Foot Facility Located in Titusville, FL

LIMITED WARRANTY
For Additional Information on Our Limited Warranty, Please See Our Terms & Conditions