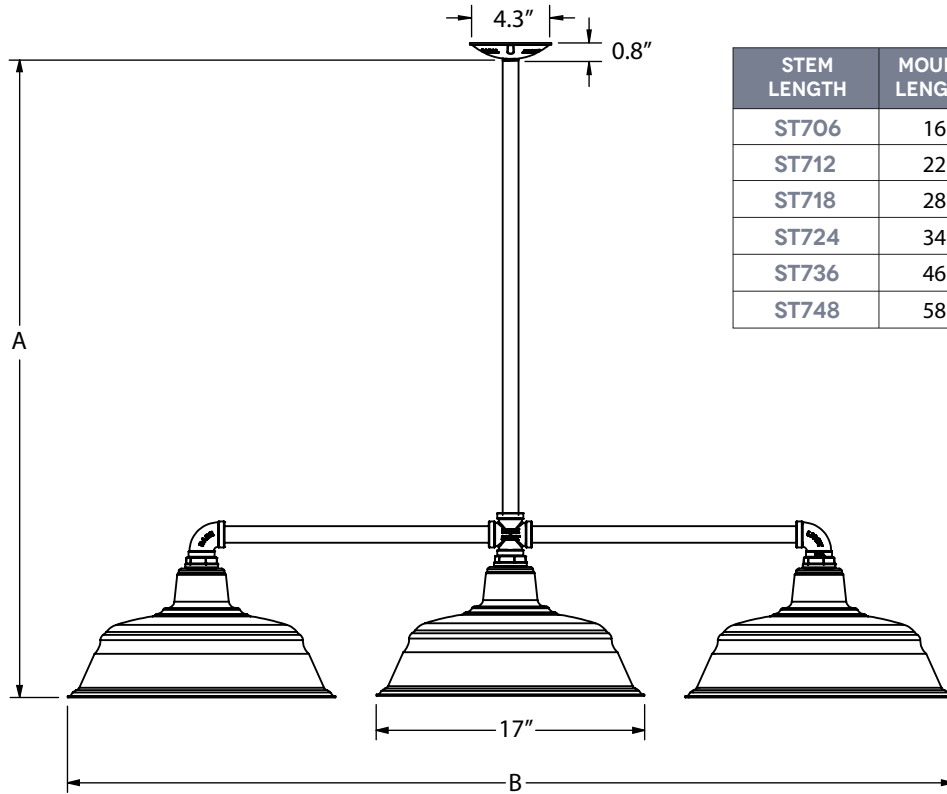
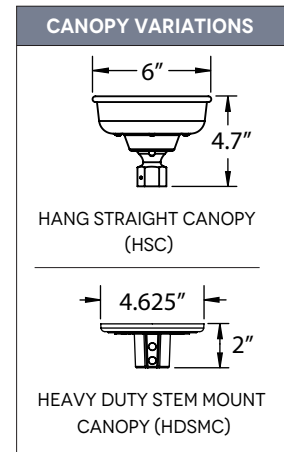


MOUNTING DIMENSIONS



SHOWN ABOVE WITH: STANDARD CANOPY

STEM LENGTH	MOUNTING LENGTH (A)	WIDTH (B)	
		(2) 18" ARMS	(2) 24" ARMS
ST706	16.65"	56"	68"
ST712	22.65"		
ST718	28.65"		
ST724	34.65"		
ST736	46.65"		
ST748	58.65"		



SPECIFICATIONS

CERTIFICATIONS, LISTINGS & WARRANTY

MADE IN THE USA
 Manufactured and Hand-Crafted in Our 60,000 Square Foot Facility Located in Titusville, FL

CSA LISTED FOR WET LOCATIONS
 ACR UL Listed for Damp Locations

LIMITED WARRANTY
 For Additional Information on Our Limited Warranty, Please See Our Terms & Conditions

CONSTRUCTION & FINISH (CONTINUED)

BRASS
 Hand-Spun from High Purity C2600-O60 Brass

STEM
 3/4" Nominal (1.05" Actual) Sch 40, 6063 Aluminum Mounting Stem
 Custom lengths available upon request

CONSTRUCTION & FINISH

POWDER COAT SHADE
 Hand-Spun from High Purity 3003-O Temper Aluminum

GALVANIZED SHADE
 Hand Spun from High Quality Galvanized Steel

PORCELAIN SHADE
 Hand-Spun from 20 Gauge Porcelain Steel

POWDER COAT FINISHES
 Polyester Powder Coat Finishes Are Electro-Staticly Applied and Thermocured

PORCELAIN FINISHES
 Applied by Hand and Fired in a High Temperature Oven

COPPER
 Hand-Spun from High Purity C11000-O60 ETP Copper

LIGHT SOURCE

INCANDESCENT
 Medium Base E26 Socket, 120 VAC, 200W Max

COMPACT FLUORESCENT
 Bi-Pin Base GU24 Socket, 120 VAC, 23W Max