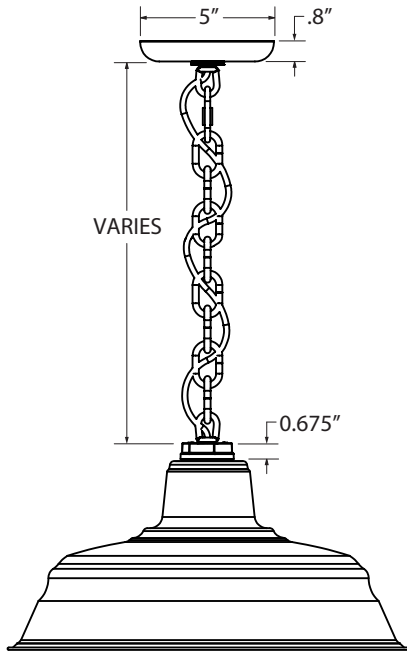
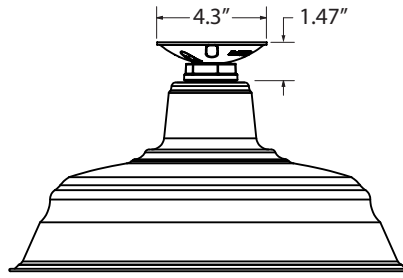


MOUNTING STYLE

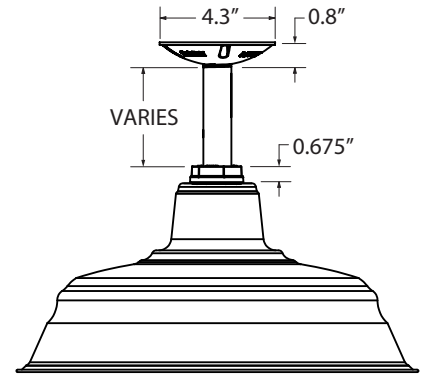
CHAIN HUNG PENDANT (CN)



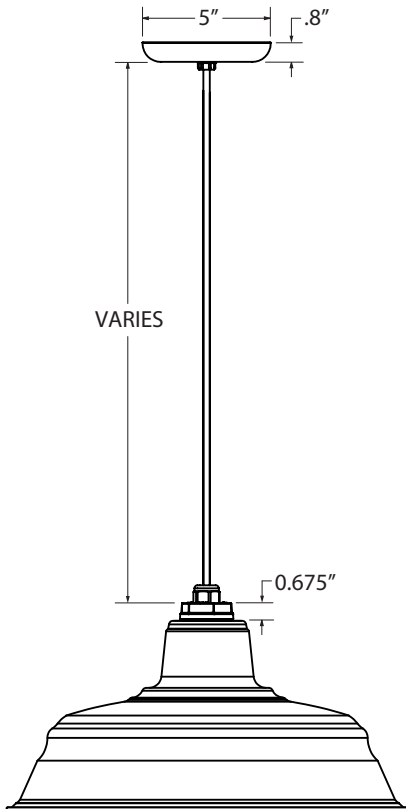
FLUSH MOUNT (F)



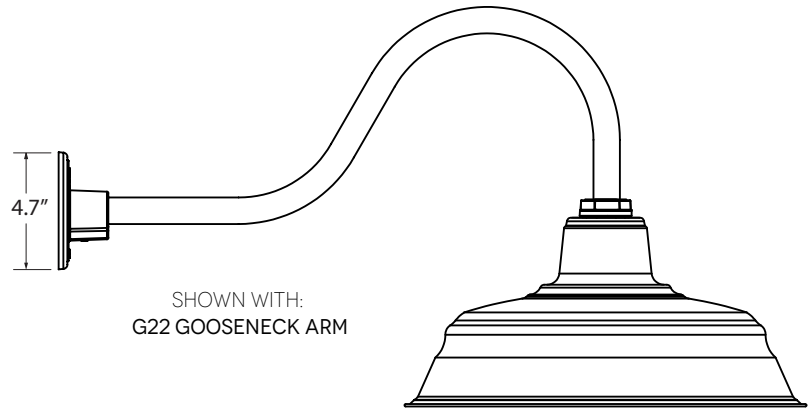
STEM MOUNT PENDANT (S)



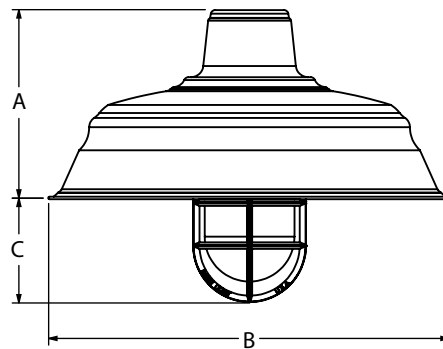
CORD HUNG PENDANT (C)



GOOSENECK (G)



LUMINAIRE DIMENSIONS



SHOWN WITH: OPTIONAL GUARD & GLASS ACCESSORY

SHADE CODE	HEIGHT (A)	DIAMETER (B)	EXTENSION (C)
WHB11	6"	11"	5"
WHB13	6"	13"	4.8"
WHB15	7"	15"	3.8"
WHB17	8.25"	17"	2.7"

SPECIFICATIONS**CERTIFICATIONS, LISTINGS & WARRANTY**

MADE IN THE USA

Manufactured and Hand-Crafted in Our 60,000 Square Foot Facility
Located in Titusville, FL

CSA LISTED FOR WET LOCATIONS

Includes All Gooseneck, Stem and Flush Mounting Styles

CSA LISTED FOR DAMP LOCATIONS

Includes All Chain and Select Cord Hung Mounting Styles

LIMITED WARRANTY

For Additional Information on Our Limited Warranty, Please See
Our Terms & Conditions

UL CERTIFICATION

UL Listed Fixtures Available upon Request. Please Consult Factory
for Additional Information.

LIGHT SOURCE

INCANDESCENT

Medium Base E26 Socket, 120 VAC, 200 Watt Max

COMPACT FLUORESCENT

Bi-Pin Base GU24 Socket, 120 VAC, 23 Watt Max

CONSTRUCTION & FINISH

POWDER COAT SHADE

Hand-Spun from High Purity 3003-O Temper Aluminum

PORCELAIN SHADE

Hand-Spun from 20 Gauge Porcelain Steel

GALVANIZE SHADE

Hand Spun from High Quality Galvanized Steel

COPPER

Hand-Spun from High Purity C11000-O60 ETP Copper

BRASS

Hand-Spun from High Purity C2600-O60 Brass

POWDER COAT FINISHES

Polyester Powder Coat Finishes Are Electro-Statically Applied and
Thermocured

PORCELAIN FINISHES

Applied by Hand and Fired in a High Temperature Oven

STEM

1/2" Nominal (0.84" Actual) or 3/4" Nominal (1.05" Actual) Sch 40,
6063 Aluminum Mounting Stem. Custom Lengths Available upon
Request.

GOOSENECK

1/2" Nominal (0.84" Actual) or 3/4" Nominal (1.05" Actual) Sch 40,
6063 Aluminum Gooseneck

CORD

Cord-Hung Pendants Include 7' of Standard Cord or 5' of Cotton or
Cloth Cord, +/- For Socket Orientation

CHAIN

4-Gauge Chain Complete with Quick Link for On-Site Adjustments
to Chain's Length