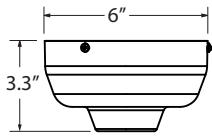


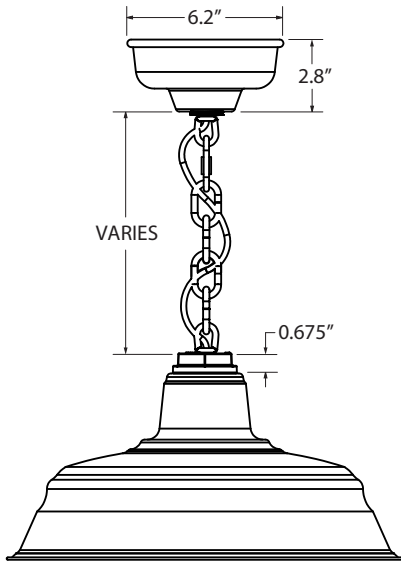
MOUNTING STYLE

HIGH LUMEN CANOPY FOR PENDANT & FLUSH MOUNT



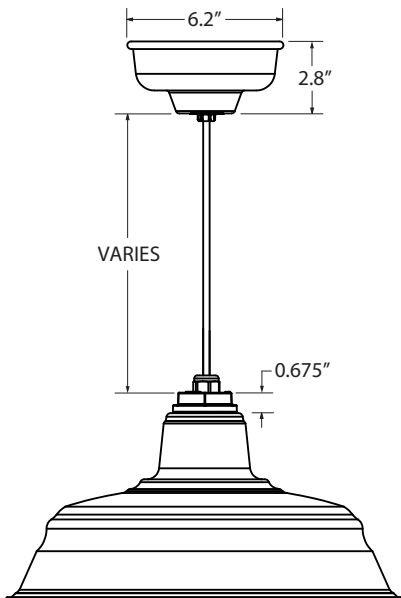
Required if LED 27, 38, 43 Light Source selected in Section J

CHAIN HUNG PENDANT (CN)



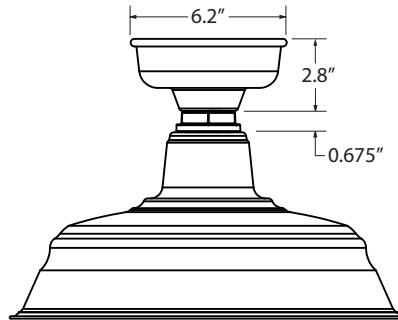
Canopy shown required if LED 11 & 16 Light Source selected in Section J

CORD HUNG PENDANT (C)



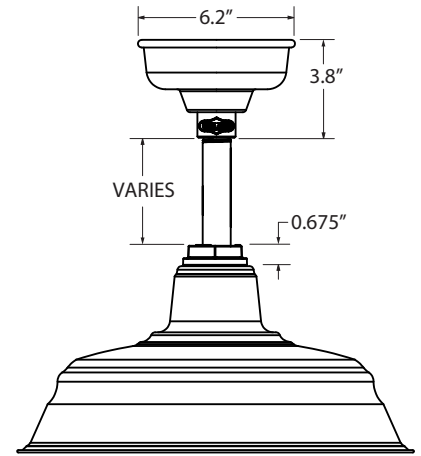
Canopy shown required if LED 11 & 16 Light Source selected in Section J

FLUSH MOUNT (F)



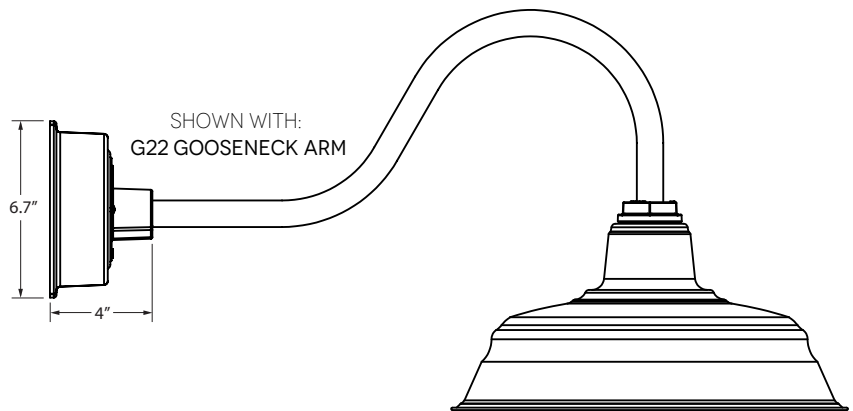
Canopy shown required if LED 11 & 16 Light Source selected in Section J

STEM MOUNT PENDANT (S)

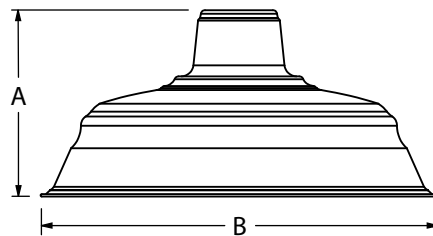


Canopy shown required if LED 11 & 16 Light Source selected in Section J

GOOSENECK (G)



LUMINAIRE DIMENSIONS



SHADE CODE	HEIGHT (A)	DIAMETER (B)
WHB11	6"	11"
WHB13	6"	13"
WHB15	7"	15"
WHB17	8.25"	17"

LIGHT SOURCE

All published luminaire photometric testing performed to IESNA LM-79-08 standards by a NVLAP accredited laboratory. Data is considered to be representative of the configurations shown, within the tolerances allowed by Lighting Facts. To obtain an IES file specific to your project, please contact the factory.*

	LUMENS		850		1250		2000		3000		4000	
	Wattage		11		16		27		38		43	
	Optics	Lumens	LPW	Lumens	LPW	Lumens	LPW	Lumens	LPW	Lumens	LPW	
WHB11	FLAT	842	74	1238	77	-	-	-	-	-	-	
	DOMED	818	72	1203	75	-	-	-	-	-	-	
WHB13	FLAT	845	74	1242	77	1992	74	2988	79	3984	92	
	DOMED	821	72	1208	75	1921	71	2881	76	3841	89	
WHB15	FLAT	840	74	1236	77	1974	73	2961	78	3948	92	
	DOMED	814	71	1197	75	1889	70	2834	75	3779	88	
WHB17	FLAT	836	73	1229	77	1963	73	2944	77	3925	91	
	DOMED	806	71	1186	74	1872	69	2808	74	3744	87	

SPECIFICATIONS

CERTIFICATIONS, LISTINGS & WARRANTY

MADE IN THE USA
 Manufactured and Hand-Crafted in Our 60,000 Square Foot Facility Located in Titusville, FL

CSA LISTED FOR WET LOCATIONS
 Includes All Gooseneck, Stem and Flush Mounting Styles

CSA LISTED FOR DAMP LOCATIONS
 Includes All Chain and Select Cord Hung Mounting Styles

LIMITED WARRANTY
 For Additional Information on Our Limited Warranty, Please See Our Terms & Conditions

OPERATING TEMPERATURE
 -30°C to 40°C

CONSTRUCTION & FINISH (CONTINUED)

BRASS
 Hand-Spun from High Purity C2600-O60 Brass

STEM
 1/2" Nominal (0.84" Actual) or 3/4" Nominal (1.05" Actual) Sch 40, 6063 Aluminum Mounting Stem. Custom Lengths Available upon Request.

GOOSENECK
 1/2" Nominal (0.84" Actual) or 3/4" Nominal (1.05" Actual) Sch 40, 6063 Aluminum Gooseneck

CORD
 Cord-Hung Pendants Include 7' of Standard Cord or 5' of Cloth Cord, +/- For Socket Orientation

CHAIN
 4-Gauge Chain Complete with Quick Link for On-Site Adjustments to Chain's Length

CONSTRUCTION & FINISH

POWDER COAT SHADE
 Hand-Spun from High Purity 3003-O Temper Aluminum

GALVANIZE SHADE
 Hand Spun from High Quality Galvanized Steel

PORCELAIN SHADE
 Hand-Spun from 20 Gauge Porcelain Steel

POWDER COAT FINISHES
 Polyester Powder Coat Finishes Are Electro-Statically Applied and Thermocured

PORCELAIN FINISHES
 Applied by Hand and Fired in a High Temperature Oven

COPPER
 Hand-Spun from High Purity C11000-O60 ETP Copper

LED LIGHT SOURCE

LED TYPE: CREE LMH2 MODULE
 INITIAL LUMENS DELIVERED: UP TO 4000 LUMENS
 L90(6K) > 36,300 HOURS
 AVAILABLE CCT: 2700K, 3000K, 3500K, 4000K
 Custom Temperatures Available upon Request
 90+ CRI
 2 STEP MACADAMS ELLIPSE
 EFFICACY: UP TO 92 LPW
 High Efficacy Available upon Request, Consult Factory for Additional Information

SPECIFICATIONS (CONTINUED)

ELECTRICAL/LED DRIVER

DRIVER TYPE: ERP ESS/T & ESP/T
POWER FACTOR > 0.9
EFFICIENCY: UP TO 87% TYPICAL
INPUT VOLTAGE: 120-277 VAC (SEE DIMMING SECTION)
CLASS 2 POWER SUPPLY
LED DRIVER LIFETIME: > 100,000 HOURS (@ 25 DEG C AMBIENT)
IP64 MINIMUM RATING CASE WITH SILICONE-BASED POTTING
PROTECTIONS
Output Open Load, Over-Current and Short-Circuit (hiccup), and Over-Temperature with Auto Recovery
CONDUCTED AND RADIATED EMI
Compliant with FCC CFR Title 47 Part 15 Class B (120 Vac), Class A (277 Vac) and EN55015 (CISPR 15) at 220, 230 and 240 Vac
COMPLIANT WITH
Complies with Energy Star® DLR (DesignLight Consortium®) and CA Title 24 Technical Requirements

DIMMING

TRI-MODE DIMMING™
Compatible with TRIAC (forward-phase or leading-edge), ELV (reverse-phase or trailing-edge) and 0-10 V Dimmers
DIMMING RANGE 1-100%
The Dimming Range Is Dependent on Each Specific Dimmer. May Not Be Able to Achieve 1% Dimming with Some Dimmers.
TRIAC AND ELV DIMMING ONLY AT 120 VAC
ELV DIMMING AT 230 VAC
Available by Request
COMPATIBLE DIMMERS
Consult Factory for Additional Information on Dimming