



BLE - C - STU - _____ - _____ - _____ - _____ - _____ - _____ - _____
 _____ - _____
 _____ - _____
 _____ - _____

Order Example: BLE - C - STU - WHB15 - 350 - SBK - 42 - WC - NA - 975 - E26

A - SHADE SIZE

- BOMBER:**
- WHB11** 11" Shade
 - WHB13** 13" Shade
 - WHB15** 15" Shade
 - WHB17** 17" Shade

B - SHADE FINISH

- PORCELAIN FINISHES¹:**
- 150** Black
 - 250** White
 - 350** Vintage Green
 - 355** Jadite
 - 455** Cherry Red
 - 550** Yellow
 - 650** Bronze
 - 750** Cobalt Blue
 - 765** Delphite Blue
 - 850** Graphite
 - 950** Metallic Chrome

C - CORDS

- CSA LISTED CORD OPTIONS:**
- SBK** Standard Black
 - SWH** Standard White
 - CSB** Black Cloth
 - CSW** White Cloth
 - CSR** Red Cloth
 - CSBB** Black & Brown Cloth
 - CSRW** Red & White Cloth
 - CSGW** Gold & White Cloth
 - CSBG** Black & Gold Cloth
 - CSBW** Black & White Cloth
 - CSBP** Black & Pink Cloth
 - CSUW** Blue & White Cloth

- NON-CSA LISTED CORD OPTIONS:**
- CBK** Black Cotton
 - CMG** Grey Cotton
 - CRZ** Red Chevron

D - CORD AND CABLE LENGTH

- 18** 18" Cable and Cord
- 24** 24" Cable and Cord
- 30** 30" Cable and Cord
- 36** 36" Cable and Cord
- 42** 42" Cable and Cord

E - SHADE ACCESSORIES

- NA** None
- WC** Wire Cage
- TGG** Heavy Duty Guard
- CGG** Cast Guard
- WGG** Wire Guard

F - GLASS OPTION

- NA** Not Applicable
- CLR** Clear Glass
- FST** Frosted Glass
- RIB** Ribbed Glass
- CCR** Clear Crackle Glass
- SMK** Smoke Crackle Glass
- HCR** Honey Crackle Glass

G - SHADE ACCESSORY FINISH

Please Note: See Section B for all applicable Finish Options.
 (I) If no accessory is selected in Section E, select NA
 (II) 975-Galvanized Finish also available
 (III) If Porcelain Finish selected, accessory will be powder coat painted-to-match

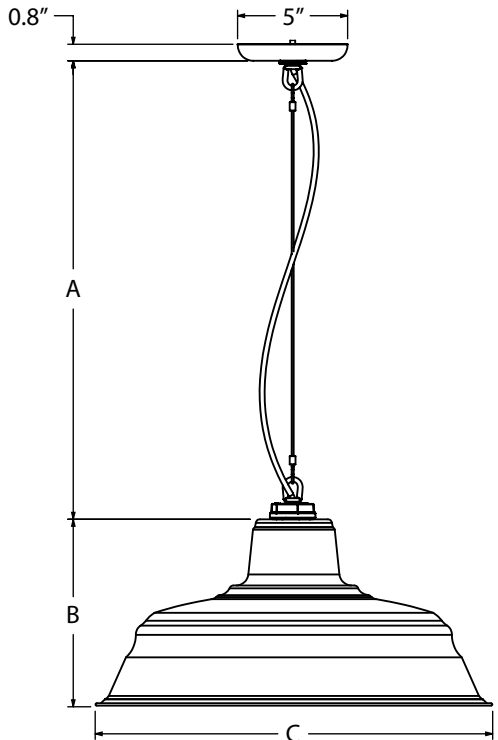
- NA** Not Applicable
- 975** Galvanized

H - SOCKET TYPE

- E26** 200 Watt Max²
- GU24** 24 Bi-Pin, 23W Max^{2,3}

IMPORTANT: (1) All Porcelain Enamel finished shades feature a white interior and a black outer rim (2) Guard and Glass accessory reduces incandescent wattage to 100W Max and GU24 Bi-Pin to 18W Max (3) Fixtures configured with GU24 socket are non-returnable

DIMENSIONAL DRAWING



CABLE & CORD	TOTAL LENGTH (A)
18 18" Cable & Cord	20.8"
24 24" Cable & Cord	26.8"
30 30" Cable & Cord	32.8"
36 36" Cable & Cord	38.8"
42 42" Cable & Cord	44.8"

SHADE CODE	HEIGHT (B)	DIAMETER (C)
WHB11	6"	11"
WHB13	6"	13"
WHB15	7"	15"
WHB17	8.25"	17"

LIGHT SOURCE

All published luminaire photometric testing performed to IESNA LM-79-08 standards by a NVLAP accredited laboratory. Data is considered to be representative of the configurations shown, within the tolerances allowed by Lighting Facts. To obtain an IES file specific to your project, please contact the factory.

OPTION	WATTAGE	LUMENS <small>*Avg. value, actual value dependent on bulb used</small>	CRI	VOLTAGE	DIMMING
INCANDESCENT (MED E26)					
E26	200W Max	*3000	*100	120 VAC	Bulb Dependant
COMPACT FLOURESCENT (GU24 CFL)					
GU24	23W Max	*1600	*75	120 VAC	Bulb Dependant

SPECIFICATIONS

CERTIFICATIONS, LISTINGS & WARRANTY

MADE IN THE USA
 Manufactured and Hand-Crafted in Our 60,000 Square Foot Facility
 Located in Titusville, FL

CSA LISTED FOR DAMP LOCATIONS

LIMITED WARRANTY
 For Additional Information on Our Limited Warranty, Please See
 Our Terms & Conditions

SHADE & FINISHES

BOMBER PORCELAIN SHADE
 Hand-Spun from 20 Guage Sheet Metal

PORCELAIN FINISHES
 Applied by Hand and Fired in a High Temperature Oven

MOUNTING

STUDIO CABLE
 Constructed with 3/32" Galvanized Steel Wire Cable

CANOPY
 5" Canopy Hand-Spun from 20 Gauge Sheet Metal, Galvanized
 Finish