



BREWSTER PENDANT

JOB NAME: _____ FIXTURE TYPE: _____



BLE - C - ULBR - _____ - _____ - _____ - _____ - _____
A B C D E

Order Example: BLE - C - ULBR - 998 - CSGW - 998 - FST - E26

A - FINISHES

POWDER COAT FINISHES:

- 100 Black
- 105 Textured Black
- 106 Matte White
- 200 White
- 206 Matte White
- 300 Dark Green
- 307 Emerald Green
- 311 Jadite
- 370 Mint
- 380 Chartreuse
- 390 Teal
- 400 Barn Red
- 420 Orange
- 470 Watermelon
- 480 Blush Pink
- 490 Magenta
- 495 Sherbet Orange
- 500 Buttery Yellow
- 570 Sunflower
- 600 Bronze
- 601 Chocolate
- 605 Rust
- 615 Oil-Rubbed Bronze
- 700 Royal Blue
- 705 Navy
- 710 Cobalt Blue
- 715 Delphite Blue
- 790 Lavender
- 800 Industrial Grey

A - FINISHES (CONTINUED)

POWDER COAT FINISHES:

- 805 Charcoal Granite
- 810 Graphite
- 975 Galvanized

NATURAL METALS¹:

- 995 Raw Copper
- 996 Weathered Copper
- 997 Raw Brass
- 998 Weathered Brass
- 999 Oil-Rubbed Copper

B - CORDS

CSA LISTED CORD OPTIONS:

- SBK Standard Black
- SWH Standard White
- CSB Black Cloth
- CSW White Cloth
- CSR Red Cloth
- CSBB Black & Brown Cloth
- CSRW Red & White Cloth
- CSGW Gold & White Cloth
- CSBG Black & Gold Cloth
- CSBW Black & White Cloth
- CSBP Black & Pink Cloth
- CSUW Blue & White Cloth
- CMG Grey Cotton
- CRZ Red Chevron

B - CORDS (CONTINUED)

NON-CSA LISTED CORD OPTIONS:

- TBK Black Cotton Twist
- TWH White Cotton Twist
- TBR Brown Cotton Twist
- TRD Red Cotton Twist
- TPT Putty Cotton Twist
- TBW Black & White Twist
- TRW Red & White Twist
- TBB Brown & Beige Twist

C - CEILING CANOPY FINISH

See **Section A** for all applicable canopy finish options.

D - GLASS OPTIONS

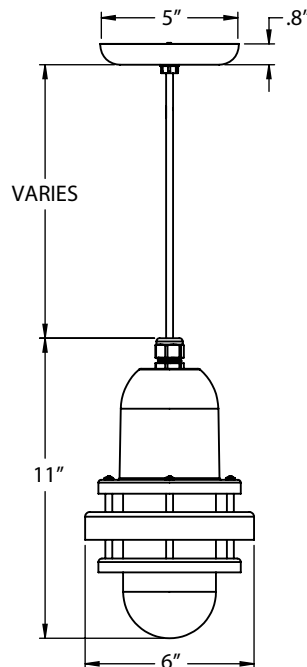
- CLR Clear Glass
- FST Frosted Glass
- RIB Ribbed Glass
- BLU Blue Glass
- RED Red Glass
- AMB Amber Glass
- GRN Green Glass

E - LIGHT SOURCE

- E26 100 Watt Max
- GU24 24 Bi-Pin, 18W Max²

IMPORTANT: (1) Natural Metals have a longer estimated lead time, please refer to website for exact manufacturing time. There are no returns accepted on Natural Metals (2) Fixtures configured with a GU24 socket are non-returnable

MOUNTING DIMENSIONS



SPECIFICATIONS

CERTIFICATIONS, LISTINGS & WARRANTY

MADE IN THE USA
Manufactured and Hand-Crafted in Our 60,000 Square Foot Facility
Located in Titusville, FL

CSA LISTED FOR DAMP LOCATIONS

LIMITED WARRANTY
For Additional Information on Our Limited Warranty, Please See
Our Terms & Conditions

LIGHT SOURCE

INCANDESCENT
Medium Base E26 Socket, 120 VAC, 100W Max

COMPACT FLUORESCENT
Bi-Pin Base GU24 Socket, 120 VAC, 18W Max

CONSTRUCTION & FINISH

POWDER COAT FIXTURE
Hand-Spun from High Purity 3003-O Temper Aluminum

COPPER
Hand-Spun from High Purity C11000-O60 ETP Copper

BRASS
Hand-Spun from High Purity C2600-O60 Brass

CORD
Cord-hung Pendants Include 7' Of Standard Cord Or 5' Of Cotton
Cord, +/- For Socket Orientation

POWDER COAT FINISHES
Polyester Powder Coat Finishes Are Electro-Statically Applied and
Thermocured on Fixture and Canopy