



BREWSTER LED PENDANT LIGHT

JOB NAME: _____ FIXTURE TYPE: _____



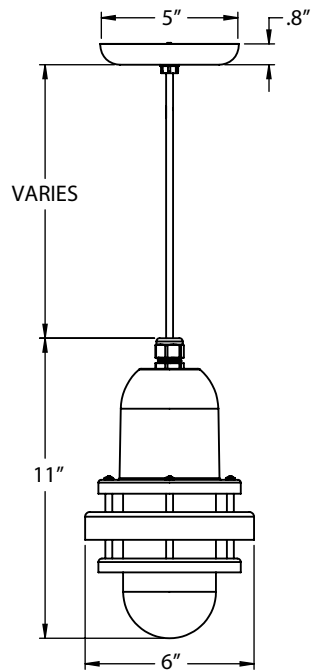
BLE - C - ULBR - _____ - _____ - _____ - _____ - LED16.8 - _____
A B C D E F

Order Example: BLE - C - ULBR - 998 - CSGW - 998 - FST - LED16.8 - 2700K

<p>A - FINISHES</p> <p><i>POWDER COAT FINISHES:</i></p> <p>100 Black 105 Textured Black 106 Matte White 200 White 206 Matte White 300 Dark Green 307 Emerald Green 311 Jadite 370 Mint 380 Chartreuse 390 Teal 400 Barn Red 420 Orange 470 Watermelon 480 Blush Pink 490 Magenta 495 Sherbet Orange 500 Buttery Yellow 570 Sunflower 600 Bronze 601 Chocolate 605 Rust 615 Oil-Rubbed Bronze 700 Royal Blue 705 Navy 710 Cobalt Blue 715 Delphite Blue 790 Lavender 800 Industrial Grey</p>	<p>A - FINISHES (CONTINUED)</p> <p><i>POWDER COAT FINISHES:</i></p> <p>805 Charcoal Granite 810 Graphite 975 Galvanized</p> <p><i>NATURAL METALS¹:</i></p> <p>995 Raw Copper 996 Weathered Copper 997 Raw Brass 998 Weathered Brass 999 Oil-Rubbed Copper</p>	<p>B - CORDS (CONTINUED)</p> <p><i>NON-CSA LISTED CORD OPTIONS:</i></p> <p>TBK Black Cotton Twist TWH White Cotton Twist TBR Brown Cotton Twist TRD Red Cotton Twist TPT Putty Cotton Twist TBW Black & White Twist TRW Red & White Twist TBB Brown & Beige Twist</p>	<p>D - GLASS OPTIONS</p> <p>CLR Clear Glass FST Frosted Glass RIB Ribbed Glass BLU Blue Glass RED Red Glass AMB Amber Glass GRN Green Glass</p>
	<p>B - CORDS</p> <p><i>CSA LISTED CORD OPTIONS:</i></p> <p>SBK Standard Black SWH Standard White CSB Black Cloth CSW White Cloth CSR Red Cloth CSBB Black & Brown Cloth CSRW Red & White Cloth CSGW Gold & White Cloth CSBG Black & Gold Cloth CSBW Black & White Cloth CSBP Black & Pink Cloth CSUW Blue & White Cloth CMG Grey Cotton CRZ Red Chevron</p>	<p>C - CEILING CANOPY FINISH</p> <p>See Section A for all applicable canopy finish options.</p>	<p>E - LIGHT SOURCE</p> <p>LED16.8 1600 Lumen, 16W LED</p>
			<p>F - COLOR TEMPERATURE</p> <p>2700K 2700K, Warm White 3000K 3000K, Neutral White 3500K 3500K, Bright White 4000K 4000K, Cool White</p>

IMPORTANT: (1) Natural Metals have a longer estimated lead time, please refer to website for exact manufacturing time. There are no returns accepted on Natural Metals

MOUNTING DIMENSIONS



SPECIFICATIONS

CERTIFICATIONS, LISTINGS & WARRANTY

MADE IN THE USA
Manufactured and Hand-Crafted in Our 60,000 Square Foot Facility Located in Titusville, FL

CSA LISTED FOR DAMP LOCATIONS

LIMITED WARRANTY
For Additional Information on Our Limited Warranty, Please See Our Terms & Conditions

CONSTRUCTION & FINISH

POWDWER COAT FIXTURE
Hand-Spun, High Purity 3003-O Temper Aluminum Canopy

COPPER
Hand-Spun from High Purity C11000-O60 ETP Copper

BRASS
Hand-Spun from High Purity C2600-O60 Brass

CORD
Cord-hung Pendants Include 7' Of Standard Cord Or 5' Of Cotton Cord, +/- For Socket Orientation

POWDER COAT FINISHES
Polyester Powder Coat Finishes Are Electro-Staticly Applied and Thermocured on Fixture and Canopy

LED16.8 LIGHT SOURCE

LED TYPE: CREE CXB SERIES COB

INITIAL LUMENS DELIVERED: UP TO 1600 LUMENS

L90 (11K) > 61,000 HOURS

AVAILABLE CCT: 2700K, 3000K, 3500K, 4000K
Custom Temperatures Available upon Request

90+ CRI (R9 TYPICAL 60)
80+ CRI and 95+ CRI (R9 Typical 85) Available upon Request

2 STEP MACADAMS ELLIPSE

EFFICACY: UP TO 95 LPW
High Efficacy Available upon Request, Consult Factory for Additional Information

LED16.8 ELECTRICAL/LED DRIVER

DRIVER TYPE: ERP EBRO20U-0400-42

DRIVE CURRENT: 400mA

POWER FACTOR > 0.9

EFFICIENCY: UP TO 85% TYPICAL

INPUT VOLTAGE: 120 VAC

CLASS 2 POWER SUPPLY

LED DRIVER LIFETIME: > 100,000 HOURS (@ 25 DEG C AMBIENT)

IP20 MINIMUM RATING CASE WITH SILICONE-BASED POTTING

PROTECTIONS
Output Open Load, Over-Current and Short-Circuit (hiccup), and Over-Temperature with Auto Recovery

CONDUCTED AND RADIATED EMI
Compliant with FCC CFR Title 47 Part 15 Class B (120 VAC), Class A (277 VAC) and EN55015 (CISPR 15) at 220, 230 and 240 VAC

COMPLIANT WITH
Complies with Energy Star® DLR (DesignLight Consortium®) and CA Title 24 Technical Requirements

DIMMING

LED 16.8
Triac & ELV Dimming at 120VAC, Able to Dim down to 1%. Dependent on Specific Dimmer. 0-10V Dimming Available upon Request.

COMPATIBLE DIMMERS
Consult Factory for Additional Information on Dimming