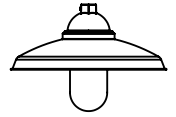




SPS-0483 REV B

BRIDGEPORT LED SERIES

JOB NAME: _____ FIXTURE TYPE: _____



BLE - _____ - _____ - _____ - _____ - _____ - _____ - _____ - _____

A B C D E F G

- LED16.8 -

H I J K L

Order Example: BLE - G - MI16 - 400 - G6 - 400 - NA - DD - TGG - 975 - RIB - LED16.8 - 2700K

A - MOUNTING STYLE

C Cord Hung
CN Chain Hung
F Flush Mount
G Gooseneck
S Stem Mount

B - SHADE SIZE**BRIDGEPORT:**

MI12 12" Shade
MI14 14" Shade
MI16 16" Shade

C - SHADE FINISH**PORCELAIN FINISHES¹:**

150 Black
250 White
350 Vintage Green
355 Jadite
455 Cherry Red
550 Yellow
650 Bronze
750 Cobalt Blue
765 Delphite Blue
850 Graphite
950 Metallic Chrome

POWDER COAT FINISHES²:

100 Black
105 Textured Black
106 Matte Black
200 White
206 Matte White
300 Dark Green
307 Emerald Green
311 Jadite
370 Mint
380 Chartreuse
390 Teal
400 Barn Red
420 Orange
470 Watermelon
480 Blush Pink
490 Magenta
495 Sherbet Orange
500 Buttery Yellow
570 Sunflower
600 Bronze
601 Chocolate
605 Rust
615 Oil-Rubbed Bronze
700 Royal Blue
705 Navy
710 Cobalt Blue

C - SHADE FINISH (CONT'D.)**POWDER COAT FINISHES²:**

790 Lavender
715 Delphite Blue
800 Industrial Grey
805 Charcoal Granite
810 Graphite
975 Galvanized

D - MOUNTING

Please Note: If Flush Mount [F] is selected in Section A, please select **NA**

NA Not Applicable

CSA LISTED CORD OPTIONS:

SBK Standard Black
SWH Standard White
CMG Grey Cotton
CRZ Red Chevron
CSB Black Cloth
CSW White Cloth
CSR Red Cloth
CSBB Black & Brown Cloth
CSRW Red & White Cloth
CSGW Gold & White Cloth
CSBG Black & Gold Cloth
CSBW Black & White Cloth
CSBP Black & Pink Cloth
CSUW Blue & White Cloth

CHAIN MOUNT OPTIONS:

CN36 3' of Chain
CN48 4' of Chain
CN60 5' of Chain
CN72 6' of Chain

GOOSENECK OPTIONS:

G1 **G16**
G2 **G17**
G3³ **G19**
G4³ **G22**
G5 **G24**
G6 **G25**
G7 **G26**
G8 **G32**
G9 **G34**
G10 **G35**
G11 **G36**
G12 **G40**
G13 **G64**
G14 **G65**
G15

D - MOUNTING (CONT'D.)**STEM MOUNT OPTIONS:**

ST506 .5" Stem Mount, 6"
ST512 .5" Stem Mount, 12"
ST518 .5" Stem Mount, 18"
ST524 .5" Stem Mount, 24"
ST536 .5" Stem Mount, 36"
ST548 .5" Stem Mount, 48"
ST706 .75" Stem Mount, 6"
ST712 .75" Stem Mount, 12"
ST718 .75" Stem Mount, 18"
ST724 .75" Stem Mount, 24"
ST736 .75" Stem Mount, 36"
ST748 .75" Stem Mount, 48"

E - MOUNTING FINISH

Please Note: See **Section C** for Finish Options. 980-Brushed Aluminum is also available for Gooseneck (Except G36, G40, G64 & G65) and Stem Mounting Styles. If a Porcelain Shade Finish is selected, mounting will be Powder Coat Painted-To-Match.

(I) If Cord Hung [C], selection identifies Canopy Finish
 (II) If Chain Hung [CN] Mounting Style, selection identifies Chain and Canopy Finish.
 (III) If Stem Mount [S] Mounting Style, selection identifies Stem and Canopy Finish
 (IV) If Flush Mount [F] Mounting Style, selection identifies Hex Coupler and Canopy Finish

980 Brushed Aluminum

F - CORDS⁴

Please Note: See **Section D** for all applicable CSA Listed Cord Options for Chain Hung Mounting Style

NA Not Applicable

G - MOUNTING ACCESSORY

NA None/Not Applicable
HSC Hang Straight Canopy⁵
HDSMC Heavy Duty Stem Mount Canopy⁵
DD Dusk-to-Dawn Photocell⁶

H - GUARD OPTION

NA None/No Guard
WGG Wire Guard
CGG Standard Cast Guard
TGG Heavy Duty Cast Guard

I - GUARD FINISH

Please Note: See **Section C** for all Guard Finish options. If no guard selected in Section H, select **NA**. If Porcelain Finish selected, guard will be powder coat painted-to-match.

NA Not Applicable

J - GLASS OPTIONS

CLR Clear Glass
FST Frosted Glass
RIB Ribbed Glass
BLU Blue Glass
RED Red Glass
AMB Amber Glass
GRN Green Glass

K - LIGHT SOURCE

LED16.8 1600 Lumen, 16W LED

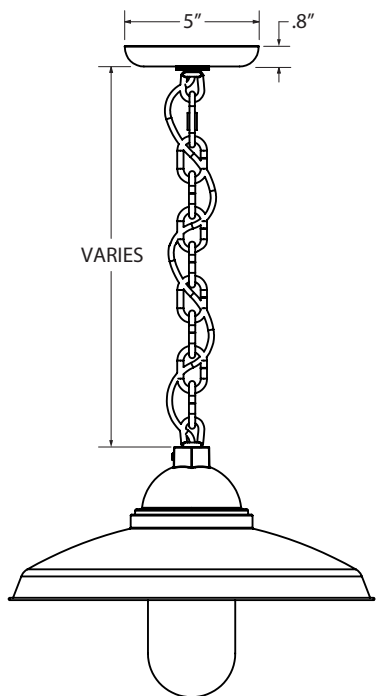
L - COLOR TEMPERATURE

2700K 2700K, Warm White
3000K 3000K, Neutral White
3500K 3500K, Bright White
4000K 4000K, Cool White

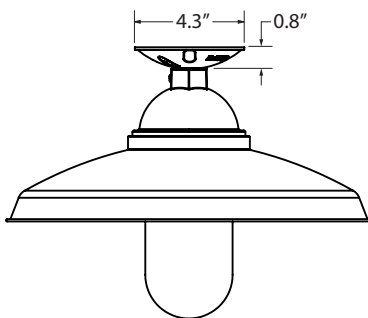
IMPORTANT: (1) All Porcelain Enamel finished shades feature a white interior and black outer rim (2) All Powder Coat finished shades, Galvanized excluded, feature a white interior (3) Not Compatible with 16" shade size (4) Only applicable if Chain Hung Mounting Style selected in Section A, select **NA** if another Mounting Style is selected (5) Only applicable if Stem Mount Mounting Style selected in Section A (6) Only applicable if Gooseneck Mounting Style selected in Section A

MOUNTING STYLE

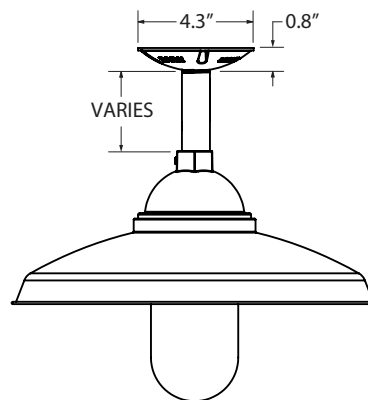
CHAIN HUNG PENDANT (CN)



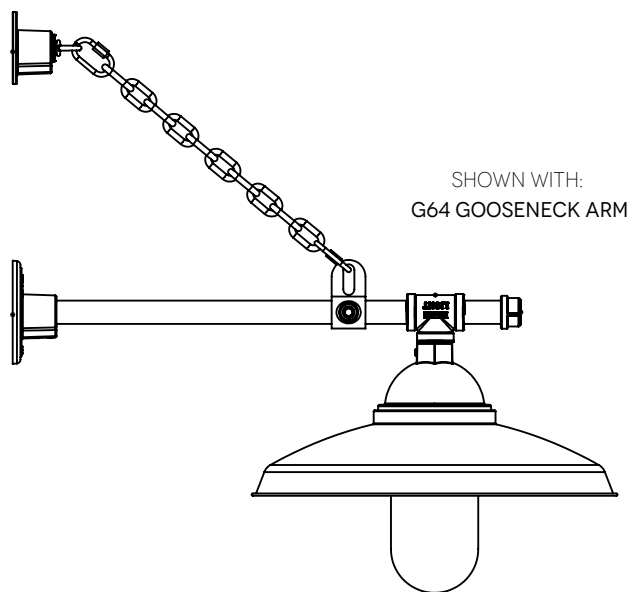
FLUSH MOUNT (F)



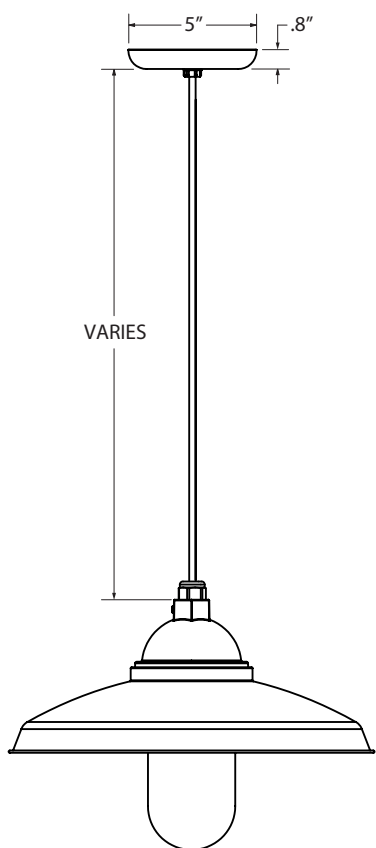
STEM MOUNT PENDANT (S)



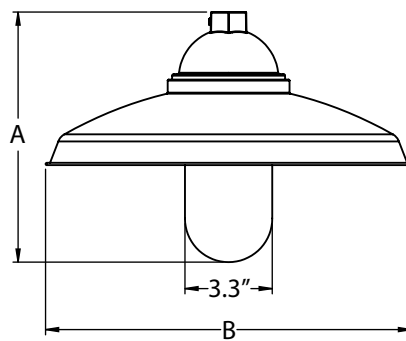
GOOSENECK (G)



CORD HUNG PENDANT (C)



LUMINAIRE DIMENSIONS



SHADE CODE	HEIGHT (A)	DIAMETER (B)
MI12	10.25"	12"
MI14	10.25"	14"
MI16	10.25"	16"

SPECIFICATIONS

CERTIFICATIONS, LISTINGS & WARRANTY

MADE IN THE USA
 Manufactured and Hand-Crafted in Our 60,000 Square Foot Facility
 Located in Titusville, FL

CSA LISTED FOR WET LOCATIONS
 Includes All Gooseneck, Stem and Flush Mounting Styles

CSA LISTED FOR DAMP LOCATIONS
 Includes All Chain and Cord Hung Mounting Styles

LIMITED WARRANTY
 For Additional Information on Our Limited Warranty, Please See
 Our Terms & Conditions

OPERATING TEMPERATURE
 -30°C to 40°C

CONSTRUCTION & FINISH

POWDER COAT SHADE
 Hand-Spun from High Purity 3003-O Temper Aluminum

GALVANIZE SHADE
 Spun from High Quality Galvanized Steel

PORCELAIN SHADE
 Hand-Spun from 20 Gauge Porcelain Steel

POWDER COAT FINISHES
 Polyester Powder Coat Finishes are Electro-Statically Applied
 and Thermocured

PORCELAIN FINISHES
 Applied by Hand and Fired in a High Temperature Oven

STEM
 1/2" Nominal (0.84" Actual) or 3/4" Nominal (1.05" Actual) Sch 40,
 6063 Aluminum Mounting Stem. Custom Lengths Available upon
 Request.

GOOSENECK
 1/2" Nominal (0.84" Actual) or 3/4" Nominal (1.05" Actual) Sch 40,
 6063 Aluminum Gooseneck

CORD
 Cord-Hung Pendants Include 7' of Standard Cord or 5' of Cloth
 Cord, +/- For Socket Orientation

CHAIN
 4-Gauge Chain Complete with Quick Link for On-Site Adjustments
 to Chain's Length

LED16.8 LIGHT SOURCE

LED TYPE: CREE CXB-2530 COB

INITIAL LUMENS DELIVERED: UP TO 1600 LUMENS

L90 (11K) > 61,000 HOURS

AVAILABLE CCT: 2700K, 3000K, 3500K, 4000K
 Custom Temperatures Available upon Request

LED16.8 LIGHT SOURCE (CONT'D.)

90+ CRI (R9 TYPICAL 60)
 80+ CRI and 95+ CRI (R9 Typical 85) Available upon Request

2 STEP MACADAMS ELLIPSE

EFFICACY: UP TO 95 LPW
 High Efficacy Available upon Request, Consult Factory for
 Additional Information

ELECTRICAL/LED DRIVER

DRIVER TYPE: ERP ESS/T & ESP/T

POWER FACTOR > 0.9

EFFICIENCY: UP TO 87% TYPICAL

INPUT VOLTAGE: 120-277 VAC (SEE DIMMING SECTION)

CLASS 2 POWER SUPPLY

LED DRIVER LIFETIME: > 100,000 HOURS (@ 25 DEG C AMBIENT)

IP64 MINIMUM RATING CASE WITH SILICONE-BASED POTTING

PROTECTIONS
 Output Open Load, Over-Current and Short-Circuit (hiccup), and
 Over-Temperature with Auto Recovery

CONDUCTED AND RADIATED EMI
 Compliant with FCC CFR Title 47 Part 15 Class B (120 VAC), Class A
 (277 VAC) and EN55015 (CISPR 15) at 220, 230 and 240 VAC

COMPLIANT WITH
 Complies with Energy Star® DLR (DesignLight Consortium®) and CA
 Title 24 Technical Requirements

DIMMING

TRI-MODE DIMMING™
 Compatible with Triac (Forward-Phase or Leading-Edge), ELV
 (Reverse-Phase or Trailing-Edge) and 0-10V Dimmers

DIMMING RANGE 1-100%
 The Dimming Range Is Dependent on Each Specific Dimmer. May
 Not Be Able to Achieve 1% Dimming with Some Dimmers

TRIAC AND ELV DIMMING ONLY AT 120 VAC

ELV DIMMING AT 230 VAC
 Available by Request

COMPATIBLE DIMMERS
 Consult Factory for Additional Information on Dimming