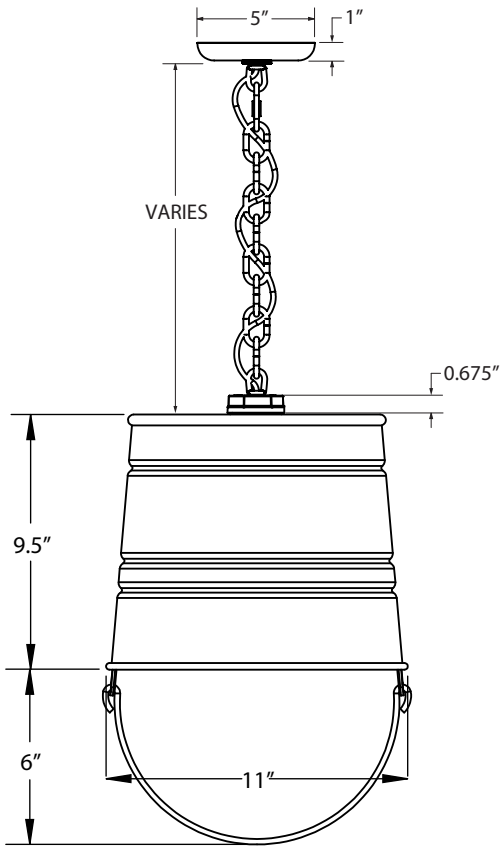
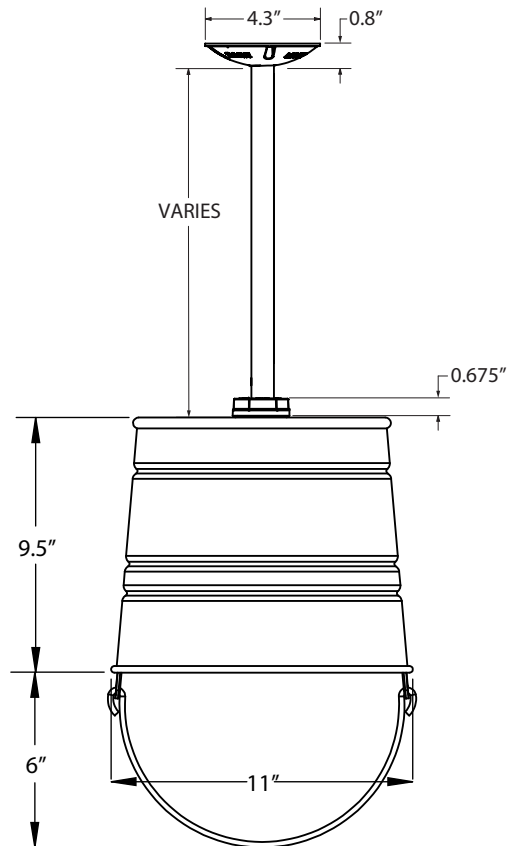


MOUNTING STYLE

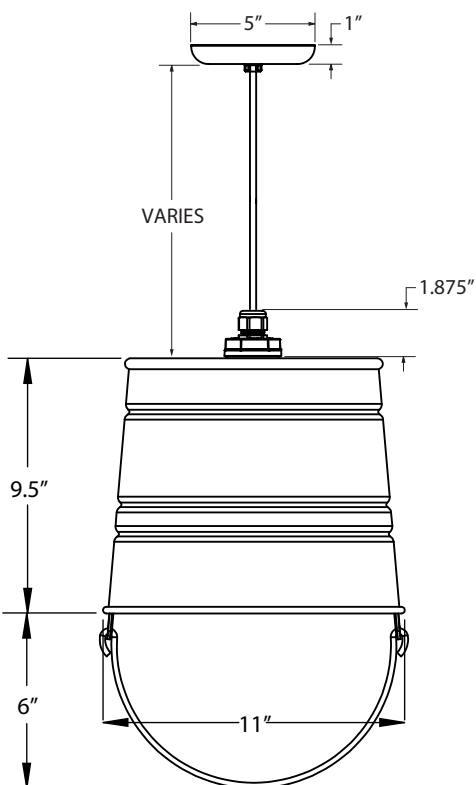
CHAIN HUNG PENDANT (CN)



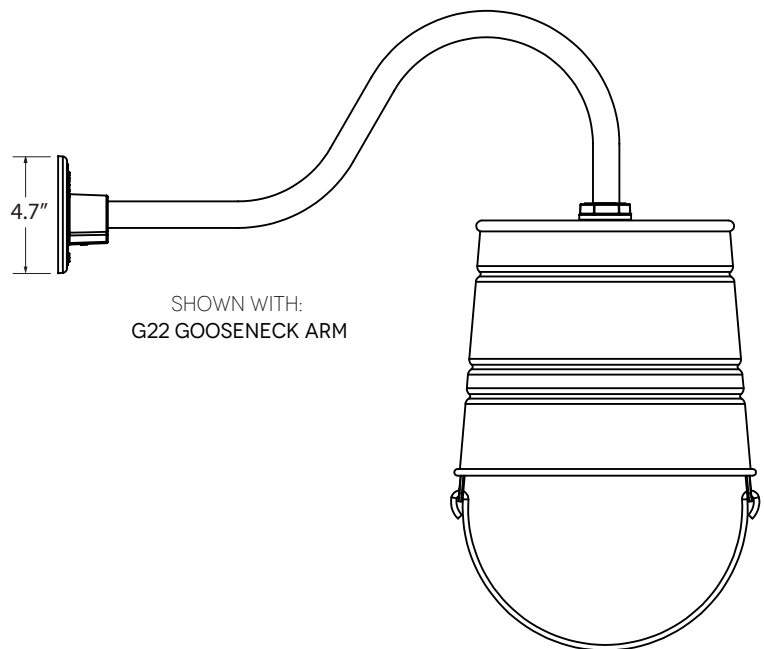
STEM MOUNT PENDANT (S)



CORD HUNG PENDANT (C)



GOOSENECK (G)



SPECIFICATIONS

MOUNTING

STEM
1/2" Nominal (0.84" Actual) Sch 40, 6063 Aluminum Mounting Stem. Custom Lengths Available upon Request.

GOOSENECK
1/2" Nominal (0.84" Actual) or 3/4" Nominal (1.05" Actual) Sch 40, 6063 Aluminum Gooseneck

CORD
Cord-Hung Pendants Include 8' of Standard, Cotton, or Cloth Cord +/- For Socket Orientation

CHAIN
4-Gauge Chain Complete with Quick Link for On-Site Adjustments to Chain's Length

MAX FIXTURE WEIGHT
10 lbs

LIGHT SOURCE

INCANDESCENT
Medium Base E26 Socket, 120 VAC

COMPACT FLUORESCENT
Bi-Pin Base GU24 Socket, 120 VAC

MATERIAL & FINISHES

BUCKET
10 Quart Galvanized Steel Pail

POWDER COAT FINISHES
Polyester Powder Coat Finishes Are Electro-Statically Applied and Thermocured

NOTE: All Powder Coat Selections Identify Exterior and Handle of Bucket Only. All Buckets will Feature a Galvanized Interior

CERTIFICATIONS, LISTINGS & WARRANTY

MADE IN THE USA
Manufactured and Hand-Crafted in Our 60,000 Square Foot Facility Located in Titusville, FL

CSA LISTED FOR DAMP LOCATIONS

LIMITED WARRANTY
For Additional Information on Our Limited Warranty, Please See Our Terms & Conditions

UL CERTIFICATION
UL Listed Fixtures Available upon Request. Please Consult Factory for Additional Information.

OPERATING TEMPERATURE
-30°C to 40°C