

BLE - _____ - HIB - _____ - _____ - _____ - _____ - _____
 A B C D E F

Order Example: BLE - S - HIB - 500 - ST748 - 980 - HDSMC - E26

A - MOUNTING STYLE

C	Cord Hung
F	Flush Mount
G	Gooseneck
S	Stem Mount

B - SHADE FINISHES**POWDER COAT FINISHES¹:**

100	Black
105	Textured Black
106	Matte Black
200	White
206	Matte White
300	Dark Green
307	Emerald Green
311	Jadite
370	Mint
380	Chartreuse
390	Teal
400	Barn Red
420	Orange
470	Watermelon
480	Blush Pink
490	Magenta
495	Sherbet Orange
500	Buttery Yellow
570	Sunflower
600	Bronze
601	Chocolate
605	Rust
615	Oil-Rubbed Bronze
700	Royal Blue
705	Navy
710	Cobalt Blue
715	Delphite Blue
790	Lavender
800	Industrial Grey
805	Charcoal Granite
810	Graphite
975	Galvanized

C - MOUNTING

Please Note: If Flush Mount [F] is selected in **Section A**, please select **NA**

NA Not Applicable

CSA LISTED CORD OPTIONS:

SBK	Standard Black
SWH	Standard White
CSB	Black Cloth
CSW	White Cloth
CSR	Red Cloth
CSBB	Black & Brown Cloth
CSRW	Red & White Cloth
CSGW	Gold & White Cloth
CSBG	Black & Gold Cloth
CSBW	Black & White Cloth
CSBP	Black & Pink Cloth
CSUW	Blue & White Cloth
CMG	Grey Cotton
CRZ	Red Chevron

NON-CSA LISTED CORD OPTIONS:

TBK	Black Cotton Twist
TWH	White Cotton Twist
TBR	Brown Cotton Twist
TRD	Red Cotton Twist
TPT	Putty Cotton Twist
TBW	Black & White Twist
TRW	Red & White Twist
TBB	Brown & Beige Twist

GOOSENECK OPTIONS:

G1	G16
G2	G17
G3	G19
G4	G22
G5	G24
G6	G25
G7	G26
G8	G32
G9	G34
G10	G35
G11	G36
G12	G40
G13	G64
G14	G65
G15	

C - MOUNTING (CONTINUED)**STEM MOUNT OPTIONS:**

ST506	.5" Stem Mount, 6"
ST512	.5" Stem Mount, 12"
ST518	.5" Stem Mount, 18"
ST524	.5" Stem Mount, 24"
ST536	.5" Stem Mount, 36"
ST548	.5" Stem Mount, 48"
ST706	.75" Stem Mount, 6"
ST712	.75" Stem Mount, 12"
ST718	.75" Stem Mount, 18"
ST724	.75" Stem Mount, 24"
ST736	.75" Stem Mount, 36"
ST748	.75" Stem Mount, 48"

D - MOUNTING FINISH

Please Note: See **Section B** for all applicable Mounting Finish Options. 980-Brushed Aluminum is also available for Gooseneck (except G36, G40, G64 & G65) and Stem mounting styles.
 (I) If Cord Hung [C] or Flush Mount [F] Mounting Style, selection identifies ceiling canopy finish
 (II) If Stem Mount [S] Mounting Style, selection identifies stem and ceiling canopy finish

980 Brushed Aluminum

E - MOUNTING ACCESSORY

NA	Not Applicable/None
HSC	Hang Straight Canopy ²
HDSMC	Heavy Duty Stem Mount Canopy ²
HDBP	Heavy Duty Backing Plate ³
DD	Dusk-to-Dawn Photocell ³

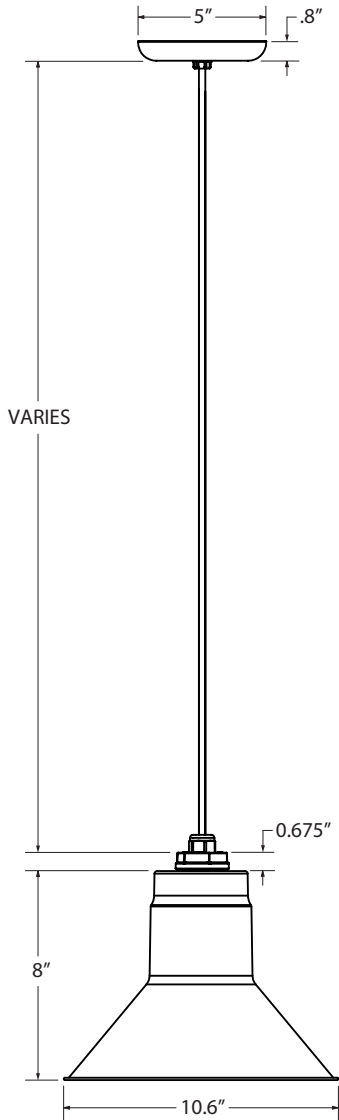
F - LIGHT SOURCE

E26	200 Watt Max
GU24	24 Bi-Pin, 23W Max ⁴

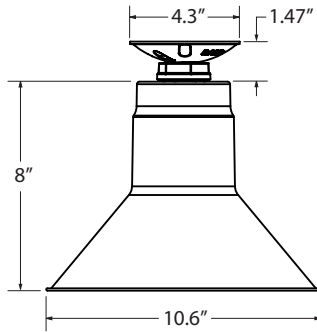
IMPORTANT: (1) All Powder Coat finished shades, Galvanized excluded, feature a white interior (2) Only applicable if Stem Mount Mounting Style is selected in Section A (3) Only applicable if Gooseneck Mounting Style is selecting in Section A (4) Fixtures configured with a GU24 socket are non-returnable

MOUNTING STYLE

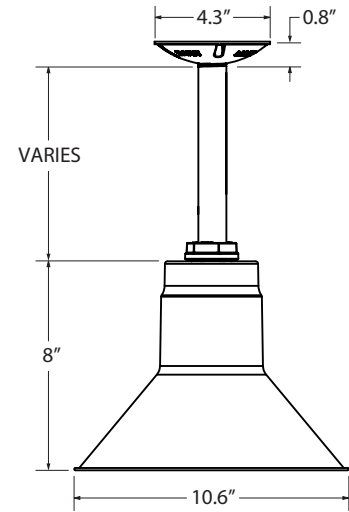
CORD HUNG PENDANT (C)



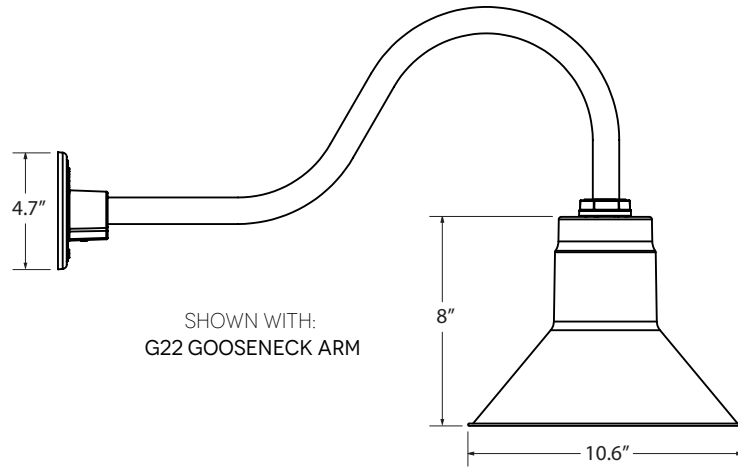
FLUSH MOUNT (F)



STEM MOUNT PENDANT (S)



GOOSENECK (G)



SPECIFICATIONS

CERTIFICATIONS, LISTINGS & WARRANTY

MADE IN THE USA
 Manufactured and Hand-Crafted in Our 60,000 Square Foot Facility
 Located in Titusville, FL

CSA LISTED FOR WET LOCATIONS
 Includes Flush, Gooseneck and Stem Mounting Styles

CSA LISTED FOR DAMP LOCATIONS
 Includes Select Cord Mounting Styles

CSA LISTED FOR DRY LOCATIONS
 Includes Select Cord Mounting Styles

LIMITED WARRANTY
 For Additional Information on Our Limited Warranty, Please See
 Our Terms & Conditions

CONSTRUCTION & FINISH

SHADE & CANOPY
 Hand-Spun from High Purity 3003-O Temper Aluminum

POWDER COAT FINISHES
 Polyester Powder Coat Finishes Are Electro-Statically Applied and
 Thermocured

STEM
 1/2" Nominal (0.84" Actual) or 3/4" Nominal (1.05" Actual) Sch 40,
 6063 Aluminum Mounting Stem. Custom Lengths Available upon
 Request.

GOOSENECK
 1/2" Nominal (0.84" Actual) or 3/4" Nominal (1.05" Actual) Sch 40,
 6063 Aluminum Gooseneck

SPECIFICATIONS

CONSTRUCTION & FINISH (CONTINUED)

CORD

Cord-hung Pendants Include 7' Of Standard Cord Or 5' Of Cotton Cord, +/- For Socket Orientation

LIGHT SOURCE

INCANDESCENT

Medium Base E26 Socket, 120 VAC, 200W Max

COMPACT FLUORESCENT

Bi-Pin Base GU24 Socket, 120 VAC, 23W Max