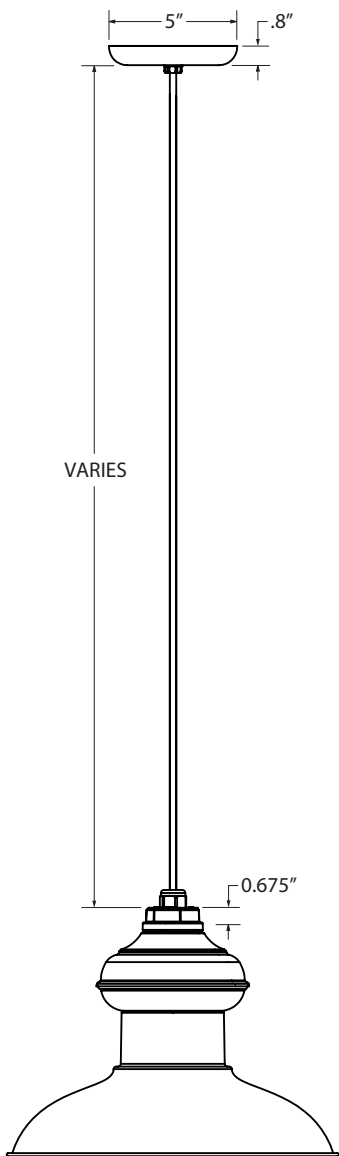


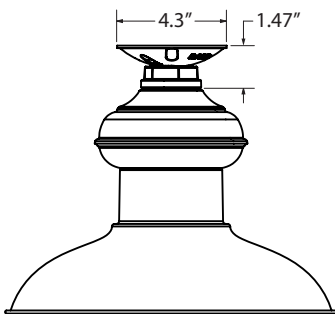


**MOUNTING STYLE**

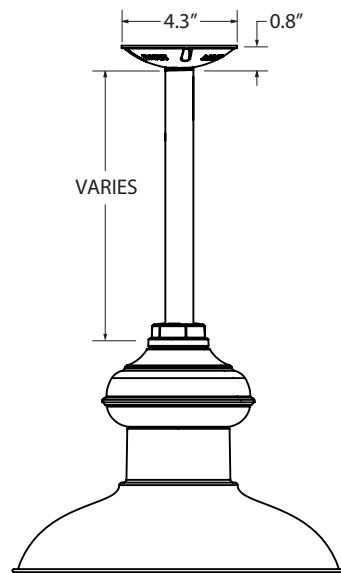
**CORD HUNG PENDANT (C)**



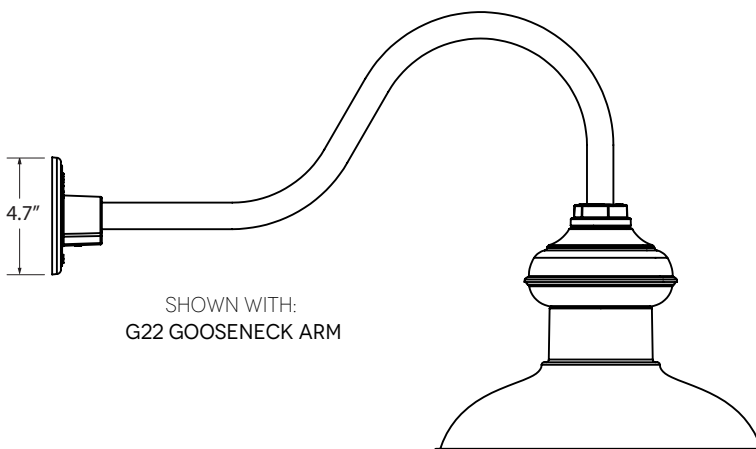
**FLUSH MOUNT (F)**



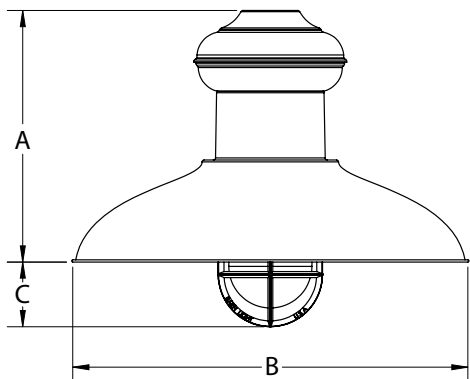
**STEM MOUNT PENDANT (S)**



**GOOSENECK (G)**



**LUMINAIRE DIMENSIONS**



SHADE CODE	HEIGHT (A)	DIAMETER (B)	EXTENSION (C)
CLAR8	6"	8"	N/A
CLAR12	8"	12"	5"
CLAR16	10"	16"	3"

**SPECIFICATIONS**

**CERTIFICATIONS, LISTINGS & WARRANTY**

MADE IN THE USA  
Manufactured and Hand-Crafted in Our 60,000 Square Foot Facility  
Located in Titusville, FL

CSA LISTED FOR WET LOCATIONS  
Includes Flush, Stem and Gooseneck Mounting Styles

CSA LISTED FOR DAMP LOCATIONS  
Includes Select Cord Hung Mounting Styles

LIMITED WARRANTY  
For Additional Information on Our Limited Warranty, Please See  
Our Terms & Conditions

**LIGHT SOURCE**

INCANDESCENT  
Medium Base E26 Socket, 120 VAC, 200W Max

COMPACT FLUORESCENT  
Bi-Pin Base GU24 Socket, 120 VAC, 23W Max

**CONSTRUCTION & FINISH**

POWDER COAT SHADE  
Hand-Spun from High Purity 3003-O Temper Aluminum

GALVANIZED SHADE  
Hand Spun from High Quality Galvanized Steel

POWDER COAT FINISHES  
Polyester Powder Coat Finishes Are Electro-Statically Applied and  
Thermocured

STEM  
1/2" Nominal (0.84" Actual) or 3/4" Nominal (1.05" Actual) Sch 40,  
6063 Aluminum Mounting Stem. Custom Lengths Available upon  
Request.

GOOSENECK  
1/2" Nominal (0.84" Actual) or 3/4" Nominal (1.05" Actual) Sch 40,  
6063 Aluminum Gooseneck

CORD  
Cord-Hung Pendants Include 7' of Standard Cord or 5' of Cotton or  
Cloth Cord, +/- For Socket Orientation