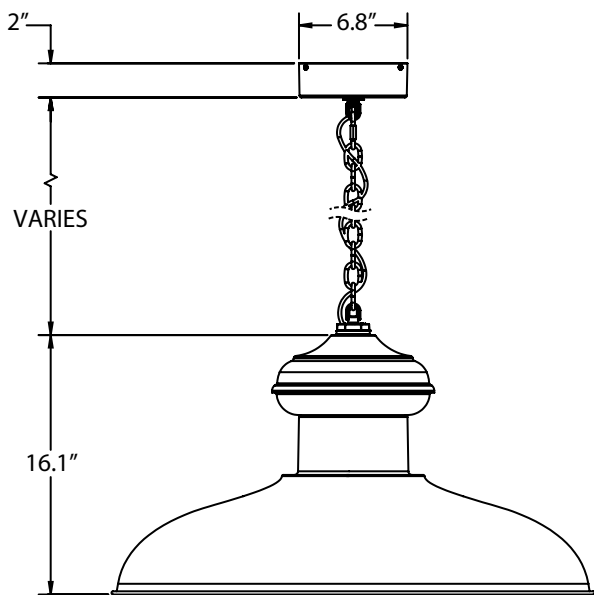
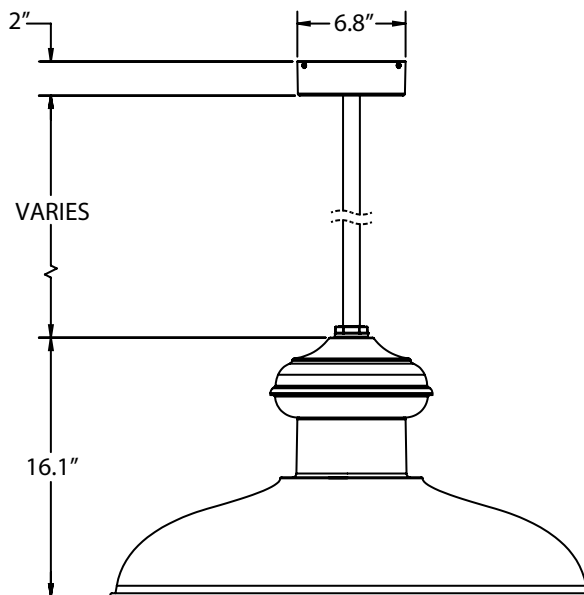


MOUNTING STYLE

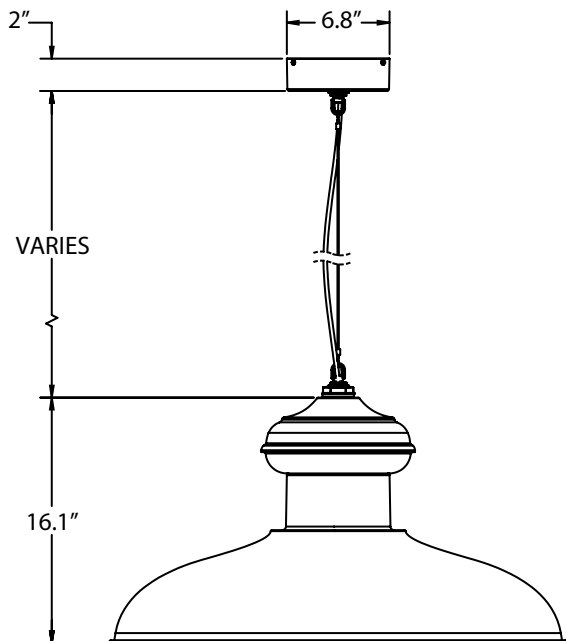
CHAIN HUNG PENDANT (CN)



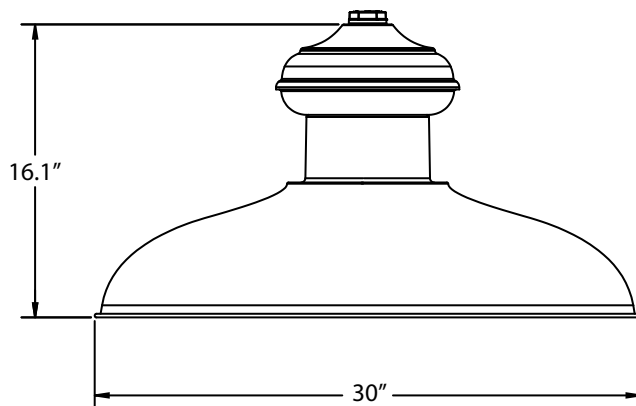
STEM MOUNT PENDANT (S)



STUDIO CABLE (C-STU)



LUMINAIRE DIMENSIONS



SPECIFICATIONS

CERTIFICATIONS, LISTINGS & WARRANTY

MADE IN THE USA
 Manufactured and Hand-Crafted in Our 60,000 Square Foot Facility Located in Titusville, FL

CSA LISTED FOR WET LOCATIONS
 Includes Stem Mounting Styles

CSA LISTED FOR DAMP LOCATIONS
 Includes All Chain and Studio Cable Hung Mounting Styles

LIMITED WARRANTY
 For Additional Information on Our Limited Warranty, Please See Our Terms & Conditions

DIMMING

TRI-MODE DIMMING™
 Compatible with TRIAC (Forward-Phase or Leading-Edge), ELV (Reverse-Phase or Trailing-Edge) and 0-10 V Dimmers

TRIAC AND ELV DIMMING ONLY AT 120 VAC

DIMMING RANGE 1-100%
 The Dimming Range is Dependent on Each Specific Dimmer. May not be able to Achieve 1% Dimming with Some Dimmers

ELV DIMMING AT 230 VAC
 Available by Request

CONSTRUCTION & FINISH

POWDER COAT SHADE
 Hand-Spun from High Purity 3003-O Temper Aluminum

POWDER COAT FINISHES
 Polyester Powder Coat Finishes Are Electro-Statically Applied and Thermocured

STEM
 3/4" Nominal (1.05" Actual) Sch 40, 6063 Aluminum Mounting Stem. Custom Lengths Available upon Request.

LED LIGHT SOURCE

AVAILABLE CCT: 2700K, 3000K, 3500K, 4000K

90+ CRI

ELECTRICAL/LED DRIVER

POWER FACTOR > 0.9

EFFICIENCY: UP TO 87% TYPICAL

INPUT VOLTAGE: 120-277 VAC (SEE DIMMING SECTION)

CLASS 2 POWER SUPPLY

LED DRIVER LIFETIME: > 100,000 HOURS (@ 25 DEG C AMBIENT)

IP64 MINIMUM RATING CASE WITH SILICONE-BASED POTTING

PROTECTIONS
 Output Open Load, Over-Current and Short-Circuit (Hiccup), and Over-Temperature with Auto Recovery

CONDUCTED AND RADIATED EMI
 Compliant with FCC CFR Title 47 Part 15 Class B (120 VAC), Class A (277 VAC) and EN55015 (CISPR 15) at 220, 230 and 240 VAC

COMPLIANT WITH
 Complies with Energy Star® DLR (DesignLight Consortium®) and CA Title 24 Technical Requirements