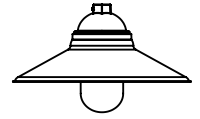




SPS-0482 REV B

CLEVELAND LED SERIES

JOB NAME: _____ FIXTURE TYPE: _____



BLE - _____ - _____ - _____ - _____ - _____ - _____ - _____ - _____

A B C D E F G

- LED16.8 -

H I J K L

Order Example: BLE - G - A116 - 400 - G6 - 400 - NA - DD - TGG - 975 - RIB - LED16.8 - 2700K

A - MOUNTING STYLE

C	Cord Hung
CN	Chain Hung
F	Flush Mount
G	Gooseneck
S	Stem Mount

B - SHADE SIZE**CLEVELAND:**

A112	12" Shade
A114	14" Shade
A116	16" Shade

C - SHADE FINISH**PORCELAIN FINISHES¹:**

150	Black
250	White
350	Vintage Green
355	Jadite
455	Cherry Red
550	Yellow
650	Bronze
750	Cobalt Blue
765	Delphite Blue
850	Graphite
950	Metallic Chrome

POWDER COAT FINISHES²:

100	Black
105	Textured Black
106	Matte Black
200	White
206	Matte White
300	Dark Green
307	Emerald Green
311	Jadite
370	Mint
380	Chartreuse
390	Teal
400	Barn Red
420	Orange
470	Watermelon
480	Blush Pink
490	Magenta
495	Sherbet Orange
500	Buttery Yellow
570	Sunflower
600	Bronze
601	Chocolate
605	Rust
615	Oil-Rubbed Bronze
700	Royal Blue
705	Navy
710	Cobalt Blue

C - SHADE FINISH (CONT'D.)**POWDER COAT FINISHES²:**

790	Lavender
715	Delphite Blue
800	Industrial Grey
805	Charcoal Granite
810	Graphite
975	Galvanized

D - MOUNTINGPlease Note: If Flush Mount [F] is selected in Section A, please select **NA**

NA	Not Applicable
-----------	----------------

CSA LISTED CORD OPTIONS:

SBK	Standard Black
SWH	Standard White
CMG	Grey Cotton
CRZ	Red Chevron
CSB	Black Cloth
CSW	White Cloth
CSR	Red Cloth
CSBB	Black & Brown Cloth
CSRW	Red & White Cloth
CSGW	Gold & White Cloth
CSBG	Black & Gold Cloth
CSBW	Black & White Cloth
CSBP	Black & Pink Cloth
CSUW	Blue & White Cloth

CHAIN MOUNT OPTIONS:

CN36	3' of Chain
CN48	4' of Chain
CN60	5' of Chain
CN72	6' of Chain

GOOSENECK OPTIONS:

G1	G16
G2	G17
G3³	G19
G4³	G22
G5	G24
G6	G25
G7	G26
G8	G32
G9	G34
G10	G35
G11	G36
G12	G40
G13	G64
G14	G65
G15	

D - MOUNTING (CONT'D.)**STEM MOUNT OPTIONS:**

ST506	.5" Stem Mount, 6"
ST512	.5" Stem Mount, 12"
ST518	.5" Stem Mount, 18"
ST524	.5" Stem Mount, 24"
ST536	.5" Stem Mount, 36"
ST548	.5" Stem Mount, 48"
ST706	.75" Stem Mount, 6"
ST712	.75" Stem Mount, 12"
ST718	.75" Stem Mount, 18"
ST724	.75" Stem Mount, 24"
ST736	.75" Stem Mount, 36"
ST748	.75" Stem Mount, 48"

E - MOUNTING FINISHPlease Note: See **Section C** for Finish Options. 980-Brushed Aluminum is also available for Gooseneck (Except G36, G40, G64 & G65) and Stem Mounting Styles. If a Porcelain Shade Finish is selected, mounting will be Powder Coat Painted-To-Match.(I) If Cord Hung [C], selection identifies Canopy Finish
(II) If Chain Hung [CN] Mounting Style, selection identifies Chain and Canopy Finish.
(III) If Stem Mount [S] Mounting Style, selection identifies Stem and Canopy Finish
(IV) If Flush Mount [F] Mounting Style, selection identifies Hex Coupler and Canopy Finish

980	Brushed Aluminum
------------	------------------

F - CORDS⁴Please Note: See **Section D** for all applicable CSA Listed Cord Options for Chain Hung Mounting Style

NA	Not Applicable
-----------	----------------

G - MOUNTING ACCESSORY

NA	None/Not Applicable
HSC	Hang Straight Canopy ⁵
HDSMC	Heavy Duty Stem Mount Canopy ⁵
DD	Dusk-to-Dawn Photocell ⁶

H - GUARD OPTION

NA	None/No Guard
WGG	Wire Guard
CGG	Standard Cast Guard
TGG	Heavy Duty Cast Guard

I - GUARD FINISHPlease Note: See **Section C** for all Guard Finish options. If no guard selected in Section H, select NA. If Porcelain Finish selected, guard will be powder coat painted-to-match.

NA	Not Applicable
-----------	----------------

J - GLASS OPTIONS

CLR	Clear Glass
FST	Frosted Glass
RIB	Ribbed Glass
BLU	Blue Glass
RED	Red Glass
AMB	Amber Glass
GRN	Green Glass

K - LIGHT SOURCE

LED16.8	1600 Lumen, 16W LED
----------------	---------------------

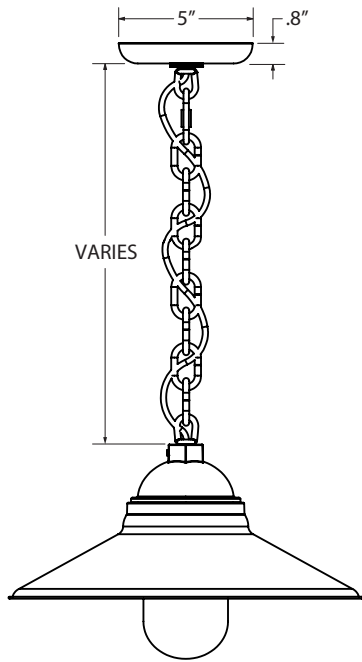
L - COLOR TEMPERATURE

2700K	2700K, Warm White
3000K	3000K, Neutral White
3500K	3500K, Bright White
4000K	4000K, Cool White

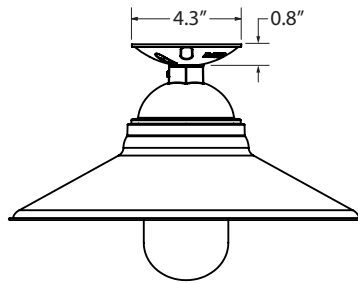
IMPORTANT: (1) All Porcelain Enamel finished shades feature a white interior and black outer rim (2) All Powder Coat finished shades, Galvanized excluded, feature a white interior (3) Not Compatible with 16" shade size (4) Only applicable if Chain Hung Mounting Style selected in Section A, select NA if another Mounting Style is selected (5) Only applicable if Stem Mount Mounting Style selected in Section A (6) Only applicable if Gooseneck Mounting Style selected in Section A

MOUNTING STYLE

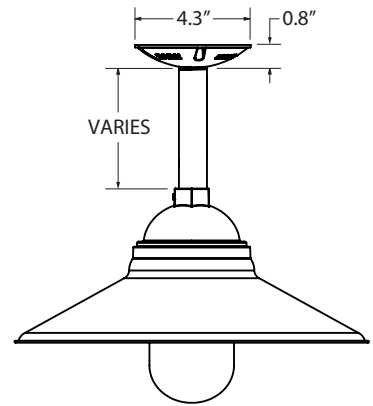
CHAIN HUNG PENDANT (CN)



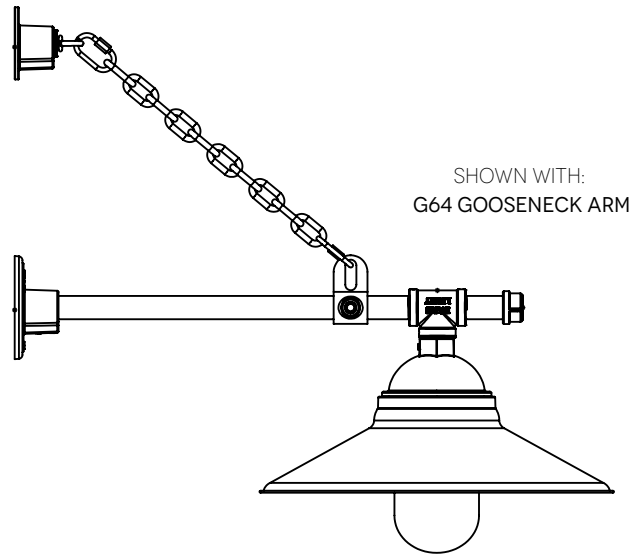
FLUSH MOUNT (F)



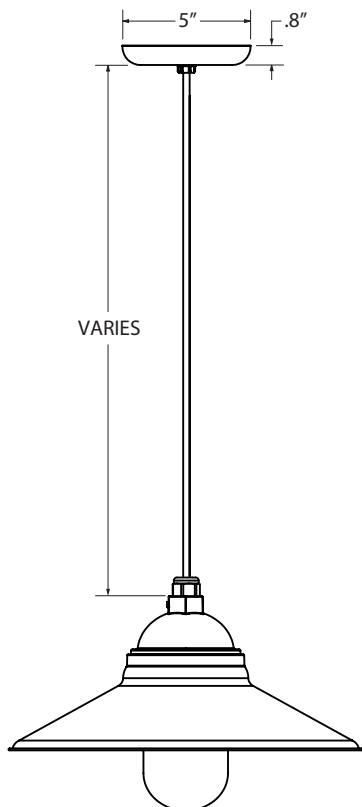
STEM MOUNT PENDANT (S)



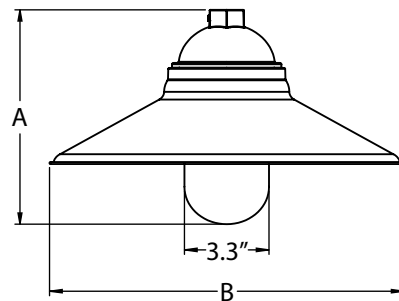
GOOSENECK (G)



CORD HUNG PENDANT (C)



LUMINAIRE DIMENSIONS



SHADE CODE	HEIGHT (A)	DIAMETER (B)
A112	10.25"	12"
A114	10.25"	14"
A116	10.25"	16"

SPECIFICATIONS**CERTIFICATIONS, LISTINGS & WARRANTY**

MADE IN THE USA

Manufactured and Hand-Crafted in Our 60,000 Square Foot Facility
Located in Titusville, FL

CSA LISTED FOR WET LOCATIONS

Includes All Gooseneck, Stem and Flush Mounting Styles

CSA LISTED FOR DAMP LOCATIONS

Includes All Chain and Cord Hung Mounting Styles

LIMITED WARRANTY

For Additional Information on Our Limited Warranty, Please See
Our Terms & Conditions

OPERATING TEMPERATURE

-30°C to 40°C

CONSTRUCTION & FINISH

POWDER COAT SHADE

Hand-Spun from High Purity 3003-O Temper Aluminum

GALVANIZE SHADE

Spun from High Quality Galvanized Steel

PORCELAIN SHADE

Hand-Spun from 20 Gauge Porcelain Steel

POWDER COAT FINISHES

Polyester Powder Coat Finishes are Electro-Statically Applied
and Thermocured

PORCELAIN FINISHES

Applied by Hand and Fired in a High Temperature Oven

STEM

1/2" Nominal (0.84" Actual) or 3/4" Nominal (1.05" Actual) Sch 40,
6063 Aluminum Mounting Stem. Custom Lengths Available upon
Request.

GOOSENECK

1/2" Nominal (0.84" Actual) or 3/4" Nominal (1.05" Actual) Sch 40,
6063 Aluminum Gooseneck

CORD

Cord-Hung Pendants Include 7' of Standard Cord or 5' of Cloth
Cord, +/- For Socket Orientation

CHAIN

4-Gauge Chain Complete with Quick Link for On-Site Adjustments
to Chain's Length

LED16.8 LIGHT SOURCE

LED TYPE: CREE CXB-2530 COB

INITIAL LUMENS DELIVERED: UP TO 1600 LUMENS

L90 (11K) > 61,000 HOURS

AVAILABLE CCT: 2700K, 3000K, 3500K, 4000K

Custom Temperatures Available upon Request

LED16.8 LIGHT SOURCE (CONT'D.)

90+ CRI (R9 TYPICAL 60)

80+ CRI and 95+ CRI (R9 Typical 85) Available upon Request

2 STEP MACADAMS ELLIPSE

EFFICACY: UP TO 95 LPW

High Efficacy Available upon Request, Consult Factory for
Additional Information

ELECTRICAL/LED DRIVER

DRIVER TYPE: ERP ESS/T & ESP/T

POWER FACTOR > 0.9

EFFICIENCY: UP TO 87% TYPICAL

INPUT VOLTAGE: 120-277 VAC (SEE DIMMING SECTION)

CLASS 2 POWER SUPPLY

LED DRIVER LIFETIME: > 100,000 HOURS (@ 25 DEG C AMBIENT)

IP64 MINIMUM RATING CASE WITH SILICONE-BASED POTTING

PROTECTIONS

Output Open Load, Over-Current and Short-Circuit (hiccup), and
Over-Temperature with Auto Recovery

CONDUCTED AND RADIATED EMI

Compliant with FCC CFR Title 47 Part 15 Class B (120 VAC), Class A
(277 VAC) and EN55015 (CISPR 15) at 220, 230 and 240 VAC

COMPLIANT WITH

Complies with Energy Star® DLR (DesignLight Consortium®) and CA
Title 24 Technical Requirements

DIMMING

TRI-MODE DIMMING™

Compatible with Triac (Forward-Phase or Leading-Edge), ELV
(Reverse-Phase or Trailing-Edge) and 0-10V Dimmers

DIMMING RANGE 1-100%

The Dimming Range Is Dependent on Each Specific Dimmer. May
Not Be Able to Achieve 1% Dimming with Some Dimmers

TRIAC AND ELV DIMMING ONLY AT 120 VAC

ELV DIMMING AT 230 VAC

Available by Request

COMPATIBLE DIMMERS

Consult Factory for Additional Information on Dimming