

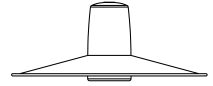


SPS-0497 REV B

**CONOCO DRAFTSMAN WOODEN TOP PENDANT**

JOB NAME: \_\_\_\_\_

FIXTURE TYPE: \_\_\_\_\_

BLE - C - \_\_\_\_\_ - \_\_\_\_\_ - \_\_\_\_\_ - \_\_\_\_\_ - \_\_\_\_\_  
A B C D E

Order Example: BLE - C - WFCC12 - 455 - ASH - SBK - ASH

**A - SHADE SIZE**

CONOCO:

WFCC10  
WFCC12  
WFCC15**B - SHADE FINISH**PORCELAIN FINISHES<sup>1</sup>:150 Black  
250 White  
350 Vintage Green  
355 Jadite  
455 Cherry Red  
550 Yellow  
650 Bronze  
750 Cobalt Blue  
765 Delphite Blue  
850 Graphite  
950 Metallic ChromePOWDER COAT FINISHES<sup>2</sup>:100 Black  
105 Textured Black  
200 White  
300 Dark Green  
307 Emerald Green  
311 Jadite  
370 Mint  
380 Chartreuse  
390 Teal  
400 Barn Red  
420 Orange  
470 Watermelon  
480 Blush Pink  
490 Magenta**B - SHADE FINISH (CONTINUED)**POWDER COAT FINISHES<sup>2</sup>:495 Sherbet Orange  
500 Buttery Yellow  
570 Sunflower  
600 Bronze  
601 Chocolate  
605 Rust  
615 Oil-Rubbed Bronze  
700 Royal Blue  
705 Navy  
710 Cobalt Blue  
715 Delphite Blue  
790 Lavender  
800 Industrial Grey  
805 Charcoal Granite  
810 Graphite  
975 GalvanizedNATURAL METALS<sup>3</sup>:995 Raw Copper  
996 Weathered Copper  
997 Raw Brass  
998 Weathered Brass  
999 Oil-Rubbed Copper**C - WOODEN TOP**ASH Ash Wood  
MPL Maple Wood  
WAL Walnut Wood**D - CORD OPTION**

UL LISTED CORD OPTIONS:

SBK Standard Black  
SWH Standard White  
CSB Black Cloth  
CSW White Cloth  
CMG Grey Cloth  
CSR Red Cloth  
CRZ Red Chevron Cloth  
CSBB Black & Brown Cloth  
CSRW Red & White Cloth  
CSGW Gold & White Cloth  
CSBG Black & Gold Cloth  
CSBW Black & White Cloth  
CSBP Black & Pink Cloth  
CSUW Blue & White Cloth

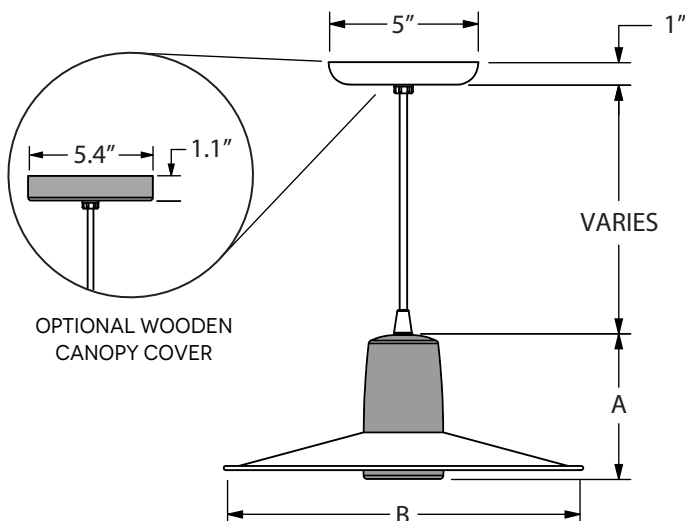
NON-UL LISTED CORD OPTIONS:

TBK Black Cotton Twist  
TWH White Cotton Twist  
TBR Brown Cotton Twist  
TRD Red Cotton Twist  
TPT Putty Cotton Twist  
TBW Black & White Twist  
TRW Red & White Twist  
TBB Brown & Beige Twist**E - CEILING CANOPY FINISH**

Please Note: See **Section B** for all applicable powder coat ceiling canopy finish options. Natural Metals not available. Wooden Canopy Covers also available in Ash, Maple and Walnut.

ASH Ash Wood  
MPL Maple Wood  
WAL Walnut Wood

**IMPORTANT:** (1) All Porcelain Enamel finished shades feature a white interior and a black outer rim (2) All Powder Coat finished shades, Galvanized excluded, feature a white interior (3) Natural Metals have a longer estimated manufacturing time, please check the website for exact lead time. There are no returns accepted on Natural Metals

**DIMENSIONAL DRAWING**

SHADE CODE	HEIGHT (A)	DIAMETER (B)
WFCC10	4.80"	10"
WFCC12	4.80"	12"
WFCC15	5.30"	15"

Shaded Area Indicates Wood Components

**SPECIFICATIONS**

**MATERIAL & FINISHES**

CANOPY

5" Hand-Spun, High Purity 0.050" Thick 3003-O Temper Aluminum Canopy

CORD

Cord-Hung Pendants Include 7' of Standard Cord or 5' of Cotton or Cloth Cord, +/- For Socket Orientation

WOOD

The Wood Detailing of Our American-Made Lighting Is Handcrafted from Solid Hardwoods by Our In-House Artisans. Custom Woods Are Available upon Request, Please Contact Our Sales Team for Additional Information.

WOOD FINISH

The Finish Is a Hand-Rubbed Danish Oil Which Is Buffed and Waxed to a Natural Sheen Using Pure Carnauba Wax

POWDER COAT SHADE

Hand-Spun from High Purity 0.050" Thick 3003-O Temper Aluminum

POWDER COAT FINISHES

Polyester Powder Coat Finishes Are Electro-Statically Applied and Thermocured

PORCELAIN SHADE

Hand-Spun from 20 Gauge Sheet Metal

PORCELAIN FINISHES

Applied by Hand and Fired in a High Temperature Oven

COPPER

Hand-Spun from High Purity .032 Thick C11000-O60 ETP Copper

BRASS

Hand-Spun from High Purity .050" Thick C2600-O60 Brass

**LIGHT SOURCE**

INCANDESCENT

Medium Base E26 Socket, 60 Watt Max, 120 VAC

**CERTIFICATIONS, LISTINGS & WARRANTY**

MAX FIXTURE WEIGHT

5 lbs

MADE IN THE USA

Manufactured and Hand-Crafted in Our 60,000 Square Foot Facility Located in Titusville, FL

WOOD SOURCING AND SUSTAINABILITY

All Wood Is Sourced from North American Suppliers Who Practice Responsible Forestry. With Sustainability in Mind, Our Material Suppliers Have Policies in Place Regarding Planned Felling, Minimum Tree Diameter, and Felling Rotation to Ensure Regrowth.

UL LISTED FOR DAMP LOCATIONS

Dependent on Cord Selection

LIMITED WARRANTY

For Additional Information on Our Limited Warranty, Please See Our Terms & Conditions