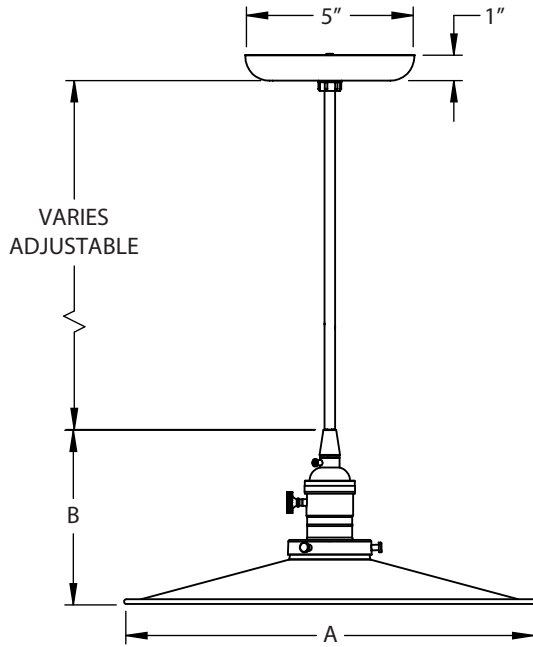


DIMENSIONAL DRAWING



SHADE CODE	DIAMETER (A)	HEIGHT (B)
FCC10	10"	4.9"
FCC12	12"	5.1"
FCC15	15"	5.6"

SPECIFICATIONS

MOUNTING

CANOPY
5" Hand-Spun, High Purity 0.050" Thick 3003-O Temper Aluminum Canopy

CORD
Cord-hung Pendants Include 7' Of Standard Cord Or 5' Of Cotton Cord, +/- For Socket Orientation

MAX FIXTURE WEIGHT
10 lbs

LIGHT SOURCE

SOCKET
E26 Medium Base Socket, 60W Max

CERTIFICATIONS, LISTINGS & WARRANTY

MADE IN THE USA
Manufactured and Hand-Crafted in Our 60,000 Square Foot Facility Located in Titusville, FL

CSA LISTED FOR DAMP OR DRY LOCATIONS
CSA Listing Dependent on Cord Selection, Please Refer to Website for Additional Information

LIMITED WARRANTY
For Additional Information on Our Limited Warranty, Please See our Terms & Conditions

MATERIAL & FINISHES

POWDER COAT SHADE
Hand-Spun from High Purity 0.050" Thick 3003-O Temper Aluminum

PORCELAIN SHADE
Hand-Spun from 20 Gauge Sheet Metal

POWDER COAT FINISHES
Polyester Powder Coat Finishes Are Electro-Statically Applied and Thermocured

PORCELAIN FINISHES
Applied by Hand and Fired in a High Temperature Oven

COPPER
Hand-Spun from High Purity .032 Thick C11000-O60 ETP Copper

BRASS
Hand-Spun from High Purity .050" Thick C2600-O60 Brass