



SPS-0462 REV A

CONOCO INTEGRATED LED SERIES

JOB NAME: _____ FIXTURE TYPE: _____



BLE - _____ - _____ - _____ - _____ - _____ - _____ - _____ - _____

A **B** **C** **D** **E** **F** **G**

 _____ - _____ - _____

H **I** **J**

Order Example: BLE - G - FCC12 - 600 - G11 - 980 - NA - NA - LED16 - 2700K - DL

A - MOUNTING STYLE

| | |
|-----------|-------------|
| C | Cord Hung |
| CN | Chain Hung |
| F | Flush Mount |
| G | Gooseneck |
| S | Stem Mount |

B - SHADE SIZE**CONOCO:**

FCC10
FCC12
FCC15

C - SHADE FINISH**PORCELAIN FINISHES²:**

| | |
|------------|-----------------|
| 150 | Black |
| 250 | White |
| 350 | Vintage Green |
| 355 | Jadite |
| 455 | Cherry Red |
| 550 | Yellow |
| 650 | Bronze |
| 750 | Cobalt Blue |
| 765 | Delphite Blue |
| 850 | Graphite |
| 950 | Metallic Chrome |

POWDER COAT FINISHES³:

| | |
|------------|-------------------|
| 100 | Black |
| 105 | Textured Black |
| 200 | White |
| 300 | Dark Green |
| 307 | Emerald Green |
| 311 | Jadite |
| 370 | Mint |
| 380 | Chartreuse |
| 390 | Teal |
| 400 | Barn Red |
| 420 | Orange |
| 470 | Watermelon |
| 480 | Blush Pink |
| 490 | Magenta |
| 495 | Sherbet Orange |
| 500 | Buttery Yellow |
| 570 | Sunflower |
| 600 | Bronze |
| 601 | Chocolate |
| 605 | Rust |
| 615 | Oil-Rubbed Bronze |
| 700 | Royal Blue |
| 705 | Navy |
| 710 | Cobalt Blue |
| 715 | Delphite Blue |

C - SHADE FINISH (CONTINUED)**POWDER COAT FINISHES³:**

| | |
|------------|------------------|
| 790 | Lavender |
| 800 | Industrial Grey |
| 805 | Charcoal Granite |
| 810 | Graphite |
| 975 | Galvanized |

NATURAL METALS⁴:

| | |
|------------|-------------------|
| 995 | Raw Copper |
| 996 | Weathered Copper |
| 997 | Raw Brass |
| 998 | Weathered Brass |
| 999 | Oil-Rubbed Copper |

D - MOUNTING

Please Note: If Flush Mount [F] is selected in Section A, please select **NA**

NA Not Applicable

CSA LISTED CORDS:

| | |
|-------------|---------------------|
| SBK | Standard Black |
| SWH | Standard White |
| CSB | Black Cloth |
| CSW | White Cloth |
| CMG | Grey Cloth |
| CSR | Red Cloth |
| CRZ | Red Chevron Cloth |
| CSBB | Black & Brown Cloth |
| CSRW | Red & White Cloth |
| CSGW | Gold & White Cloth |
| CSBG | Black & Gold Cloth |
| CSBW | Black & White Cloth |
| CSBP | Black & Pink Cloth |
| CSUW | Blue & White Cloth |

CHAIN MOUNT OPTIONS:

| | |
|-------------|--------------------------|
| CN36 | 3' of Chain ¹ |
| CN48 | 4' of Chain ¹ |
| CN60 | 5' of Chain ¹ |
| CN72 | 6' of Chain ¹ |

GOOSENECK OPTIONS:

| | | |
|------------|-------------|-------------|
| G1' | G11' | G26' |
| G2' | G12' | G32 |
| G3' | G13 | G34' |
| G4 | G14 | G35' |
| G5' | G15 | G36' |
| G6 | G16' | G64' |
| G7 | G17 | G65' |
| G8 | G22 | |
| G9 | G24 | |
| G10 | G25 | |

D - MOUNTING (CONTINUED)**STEM MOUNT OPTIONS:**

| | |
|--------------|----------------------------------|
| ST506 | .5" Stem Mount, 6" ¹ |
| ST512 | .5" Stem Mount, 12" ¹ |
| ST518 | .5" Stem Mount, 18" ¹ |
| ST524 | .5" Stem Mount, 24" ¹ |
| ST536 | .5" Stem Mount, 36" ¹ |
| ST548 | .5" Stem Mount, 48" ¹ |
| ST706 | .75" Stem Mount, 6" |
| ST712 | .75" Stem Mount, 12" |
| ST718 | .75" Stem Mount, 18" |
| ST724 | .75" Stem Mount, 24" |
| ST736 | .75" Stem Mount, 36" |
| ST748 | .75" Stem Mount, 48" |

E - MOUNTING FINISH

Please Note: See **Section C** for Finish Options. 980-Brushed Aluminum is also available for Gooseneck and Stem mounting styles. If a Porcelain shade finish is selected, mounting will be powder coat painted-to-match. Porcelain shade finishes are not available with a Natural Metal mounting finish

(I) If Cord Hung [C], selection identifies canopy finish

(II) If Chain Hung [CN] Mounting Style, selection identifies chain and canopy finish. Natural Metals are not applicable

(III) If Stem Mount [S] Mounting Style, selection identifies stem and canopy finish

(IV) If Flush Mount [F] Mounting Style, selection identifies hex coupler and canopy finish. Natural Metals are not applicable

980 Brushed Aluminum

F - CORDS⁵

NA Not Applicable

Please Note: See **Section D** for all applicable CSA Listed Cord Options

G - MOUNTING ACCESSORY

Please Note: Mounting Accessories below are only applicable with select Mounting Styles. Please refer to product listings on our website for further detail.

| | |
|--------------|---|
| NA | None/Not Applicable |
| HSC | Hang Straight Canopy ¹⁶ |
| LDBPC | LED Decorative Backing Plate Cover ⁷ |
| LDCHX | LED Decorative Backing Plate Cover & Hex Cover ⁷ |

H - LIGHT SOURCE

| | |
|--------------|---------------------|
| LED11 | 850 Lumen, 11W LED |
| LED16 | 1250 Lumen, 16W LED |
| LED27 | 2000 Lumen, 27W LED |

I - COLOR TEMPERATURE

| | |
|--------------|----------------------|
| 2700K | 2700K, Warm White |
| 3000K | 3000K, Neutral White |
| 3500K | 3500K, Bright White |
| 4000K | 4000K, Cool White |

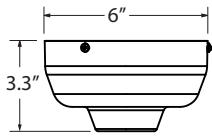
J - LED LENS

| | |
|-----------|------------|
| DL | Domed Lens |
| FL | Flat Lens |

IMPORTANT: (1) Not available in Natural Metals (2) All Porcelain Enamel finished shades feature a white interior and a black outer rim (3) All Powder Coat finished shades, Galvanized excluded, feature a white interior (4) Natural Metals have a longer estimated manufacturing time, please check the website for exact lead time. There are no returns accepted on Natural Metals (5) Only applicable if Chain Hung mounting style selected in Section A, select NA (6) Only applicable if Stem Mounting Style is selected in Section A (7) Not available with G36 Gooseneck option

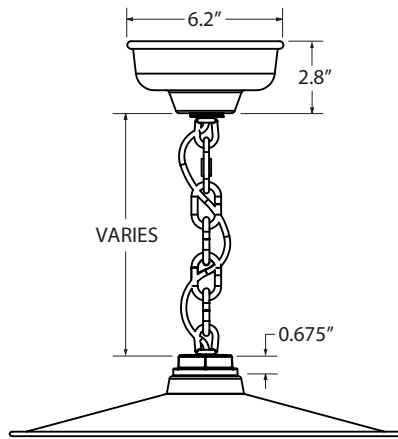
MOUNTING STYLE

HIGH LUMEN CANOPY FOR PENDANT & FLUSH MOUNT



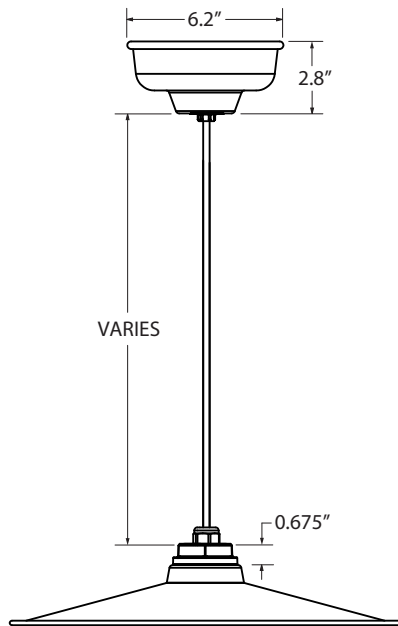
Required if LED 27 Light Source selected in Section H

CHAIN HUNG PENDANT (CN)



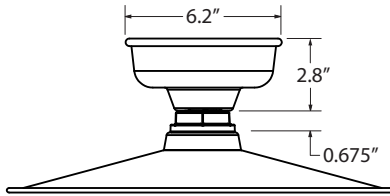
Canopy shown required if LED 11 & 16 Light Source selected in Section J

CORD HUNG PENDANT (C)



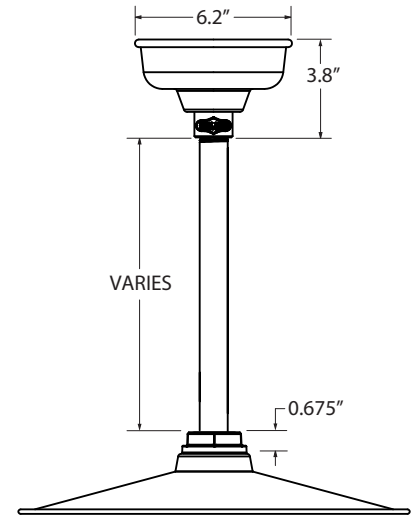
Canopy shown required if LED 11 & 16 Light Source selected in Section J

FLUSH MOUNT (F)



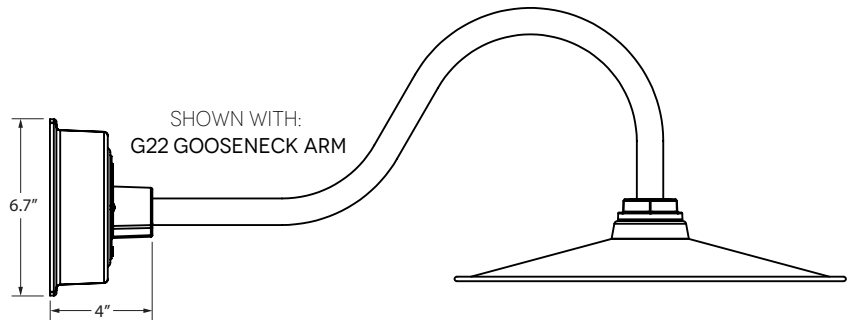
Canopy shown required if LED 11 & 16 Light Source selected in Section J

STEM MOUNT PENDANT (S)

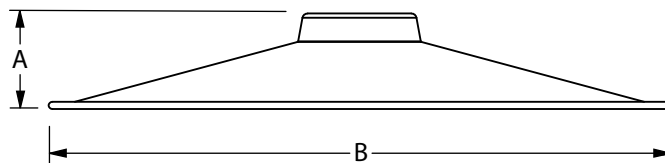


Canopy shown required if LED 11 & 16 Light Source selected in Section J

GOOSENECK (G)



LUMINAIRE DIMENSIONS



| SHADE CODE | HEIGHT (A) | DIAMETER (B) |
|------------|------------|--------------|
| FCC10 | 1.75" | 10" |
| FCC12 | 1.75" | 12" |
| FCC15 | 2.25" | 15" |

SPECIFICATIONS

LED 11, 16, 27 LIGHT SOURCE

LED TYPE: CREE LMH2 MODULE
 INITIAL LUMENS DELIVERED: UP TO 2000 LUMENS
 L90(6K) > 36,300 HOURS
 AVAILABLE CCT: 2700K, 3000K, 3500K, 4000K
Custom Temperatures Available upon Request
 90+ CRI
 2 STEP MACADAMS ELLIPSE
 EFFICACY: UP TO 93 LPW
High Efficacy Available upon Request, Consult Factory for Additional Information

DIMMING

LED 11 & 16
**Triac Dimming at 100-120VAC, Able to Dim down to 5%.
 Dependent on Specific Dimmer.
 0-10V & ELV Dimming Available upon Request.**
 LED 27
**0-10V Dimming, Able to Dim down to 10%.
 Dependent on Specific Dimmer.
 Triac & ELV Dimming Available upon Request.**
 TRIAC & ELV DIMMING AT 230 VAC
Available by Request
 COMPATIBLE DIMMERS
Consult Factory for Additional Information on Dimming

LED 27 ELECTRICAL/LED DRIVER

DRIVER TYPE: LMD400 DRIVE CURRENT: 940mA
 POWER FACTOR > 0.95 EFFICIENCY: UP TO 81% TYPICAL
 INPUT VOLTAGE: 120-277 VAC (SEE DIMMING SECTION)
 CLASS 2 POWER SUPPLY
 LED DRIVER LIFETIME: > 50,000 HOURS (@ 25 DEG C AMBIENT)
 CONDUCTED AND RADIATED EMI
Compliant with FCC CFR Title 47 Part 15 Class B (120 VAC), Class A (277 VAC) and EN55015 (CISPR 15) at 230 VAC

CERTIFICATIONS, LISTINGS & WARRANTY

MADE IN THE USA
**Manufactured and Hand-Crafted in Our 60,000 Square Foot Facility
 Located in Titusville, FL**
 CSA LISTED FOR WET LOCATIONS
Includes All Gooseneck, Stem and Flush Mounting Styles
 CSA LISTED FOR DAMP LOCATIONS
Includes All Chain and Select Cord Hung Mounting Styles
 LIMITED WARRANTY
**For Additional Information on Our Limited Warranty, Please See
 Our Terms & Conditions**
 OPERATING TEMPERATURE
 -30°C to 40°C

LED 11, 16 ELECTRICAL/LED DRIVER

DRIVER TYPE: LMD125
 DRIVE CURRENT: 440mA
 POWER FACTOR > 0.9
 EFFICIENCY: UP TO 81% TYPICAL
 INPUT VOLTAGE: 100-120 VAC (SEE DIMMING SECTION)
 CLASS 2 POWER SUPPLY
 LED DRIVER LIFETIME: > 50,000 HOURS (@ 25 DEG C AMBIENT)
 CONDUCTED AND RADIATED EMI
Compliant with FCC CFR Title 47 Part 15 Class B (120 VAC), Class A (277 VAC) and EN55015 (CISPR 15) at 230 VAC

SHADE & FINISHES

POWDER COAT SHADE
**Hand-Spun from High Purity 0.050" Thick 3003-O Temper
 Aluminum**
 PORCELAIN SHADE
Hand-Spun from 20 Gauge Sheet Metal
 POWDER COAT FINISHES
**Polyester Powder Coat Finishes Are Electro-Statically Applied and
 Thermocured**
 PORCELAIN FINISHES
Applied by Hand and Fired in a High Temperature Oven
 COPPER
Hand-Spun from High Purity .032 Thick C11000-O60 ETP Copper
 BRASS
Hand-Spun from High Purity .050" Thick C2600-O60 Brass

MOUNTING

STEM
**1/2" Nominal (0.84" Actual) or 3/4" Nominal (1.05" Actual) Sch 40,
 6063 Aluminum Mounting Stem. Custom Lengths Available upon
 Request.**
 GOOSENECK
**1/2" Nominal (0.84" Actual) or 3/4" Nominal (1.05" Actual) Sch 40,
 6063 Aluminum Gooseneck**
 CORD
**Cord-Hung Pendants Include 7' of Standard Cord or 5' of Cloth
 Cord, +/- For Socket Orientation**
 CHAIN
**4-Gauge Chain Complete with Quick Link for On-Site Adjustments
 to Chain's Length**
 MAX FIXTURE WEIGHT
10 lbs