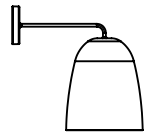




SPS-0609 REV A

EGG WALL SCNCE

JOB NAME: _____ FIXTURE TYPE: _____

BLE - W - DBE10 - _____ - _____ - _____ - _____ - _____ - _____ - _____ - **E26****A** **B** **C** **D** **E** **F**

Order Example: BLE - W - DBE10 - 100 - 100 - W4 - NA - NA - E26

A - EXTERIOR SHADE FINISH**POWDER COAT FINISHES:**

100	Black
105	Textured Black
106	Matte Black
200	White
206	Matte White
300	Dark Green
307	Emerald Green
311	Jadite
370	Mint
380	Chartreuse
390	Teal
400	Barn Red
420	Orange
470	Watermelon
480	Blush Pink
490	Magenta
495	Sherbet Orange
500	Buttery Yellow
570	Sunflower
600	Bronze
601	Chocolate
605	Rust
615	Oil-Rubbed Bronze
700	Royal Blue
705	Navy

A - EXTERIOR SHADE FINISH (CONTINUED)**POWDER COAT FINISHES:**

710	Cobalt Blue
715	Delphite Blue
790	Lavender
800	Industrial Grey
805	Charcoal Granite
810	Graphite
930	Painted Aged Brass
940	Painted Aged Copper
975	Galvanized

B - INTERIOR SHADE FINISH

Please Note: See **Section A** for all applicable Interior Shade Finish Options. 930-Painted Aged Brass & 940-Painted Aged Copper not available.

C - ARM PROJECTION

W3	8" Projection
W4	12" Projection

D - PLUG-IN OPTION

NA	None
LWL	Plug with Inline On/Off Switch ¹

E - PLUG-IN CORD OPTIONS

Select **NA** if the Plug-In Cord Option is not selected

NA Not Applicable

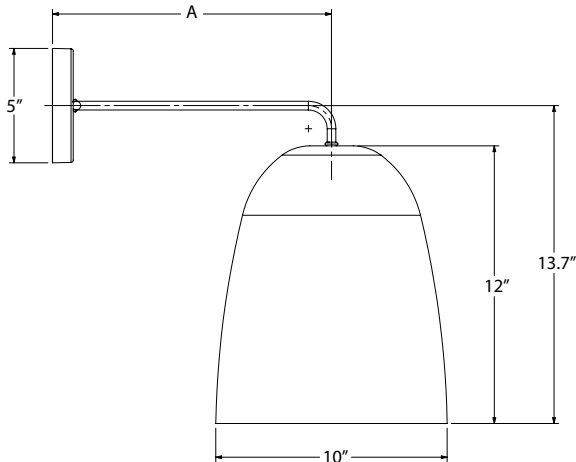
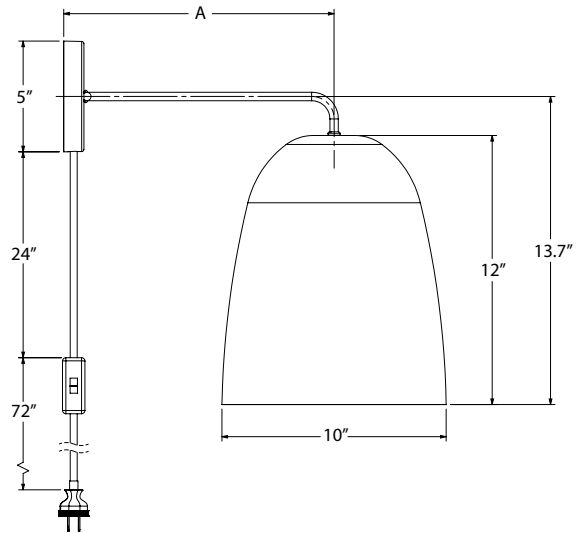
CSA LISTED CORD OPTIONS¹:

SBK	Standard Black
SWH	Standard White
CSB	Black Cloth
CSW	White Cloth
CMG	Grey Cloth
CSR	Red Cloth
CRZ	Red Chevron Cloth
CSBB	Black & Brown Cloth
CSRW	Red & White Cloth
CSGW	Gold & White Cloth
CSBG	Black & Gold Cloth
CSBW	Black & White Cloth
CSBP	Black & Pink Cloth
CSUW	Blue & White Cloth

F - LIGHT SOURCE

E26 200 Watt Max

IMPORTANT: (1) SWH-Standard White Cord and CSW-White Cloth Cord include a white plug and switch, all other cord options will include a black plug and switch

LUMINAIRE DIMENSIONS**WALL SCNCE****WALL SCNCE WITH PLUG-IN**

OPTION	ARM PROJECTION (A)
W3	8"
W4	12"

SPECIFICATIONS

CERTIFICATIONS, LISTINGS & WARRANTY

MADE IN THE USA
Manufactured and Hand-Crafted in Our 60,000 Square Foot Facility
Located in Titusville, Florida

CSA LISTED FOR DAMP LOCATIONS
(Plug-in Option CSA Listed for Dry Location Only)

LIMITED WARRANTY
For Additional Information on Our Limited Warranty, Please See
Our Terms & Conditions

UL CERTIFICATION
UL Listed Fixtures Available upon Request. Please Consult Factory
for Additional Information

CONSTRUCTION & FINISH

SHADE & BACKING PLATE
Hand-Spun, High Purity 3003-O Temper Aluminum

POWDER COAT FINISHES
Polyester Powder Coat Finishes Are Electro-Statically Applied and
Thermocured

GOOSENECK
3/8" Brass Tubing

CORD & PLUG
Complete with 8 Feet of Cord, 2-Prong Polarized Plug and Inline
On/Off Switch

MAX FIXTURE WEIGHT
10 lbs

LIGHT SOURCE

INCANDESCENT
Medium Base E26 Socket, 120 VAC, 200 Watt Max