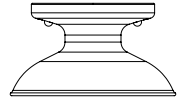




SPS-0038 REV B

KAO FLUSH MOUNT

JOB NAME: _____ FIXTURE TYPE: _____



BLE - F - KAO - _____
A

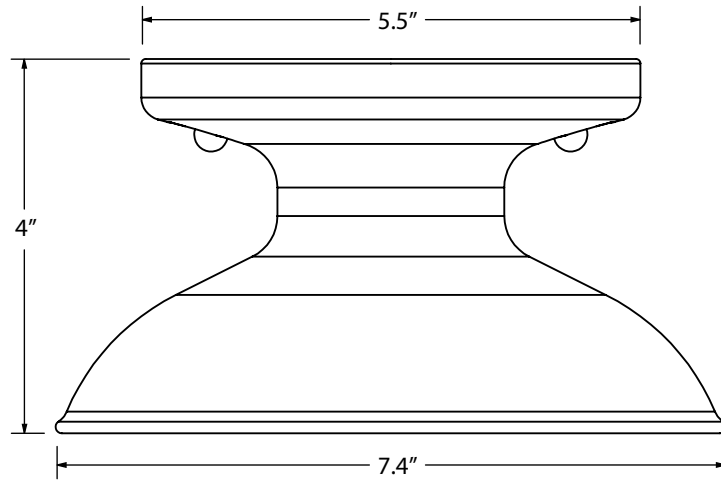
Order Example: BLE - F - KAO - 400

A - FINISHES

POWDER COAT FINISHES:

- 100 Black
- 105 Textured Black
- 106 Matte Black
- 200 White
- 206 Matte White
- 300 Dark Green
- 307 Emerald Green
- 311 Jade
- 370 Mint
- 380 Chartreuse
- 390 Teal
- 400 Barn Red
- 420 Orange
- 470 Watermelon
- 480 Blush Pink
- 490 Magenta
- 500 Buttery Yellow
- 570 Sunflower
- 600 Bronze
- 601 Chocolate
- 605 Rust
- 615 Oil-Rubbed Bronze
- 700 Royal Blue
- 705 Navy
- 710 Cobalt Blue
- 715 Delphite Blue
- 800 Industrial Grey
- 805 Charcoal Granite
- 810 Graphite

MOUNTING DIMENSIONS



IMPORTANT:

SPECIFICATIONS

CERTIFICATIONS, LISTINGS & WARRANTY

MADE IN THE USA
Manufactured and Hand-Crafted in Our 60,000 Square Foot Facility
Located in Titusville, FL

CSA LISTED FOR DAMP LOCATIONS

LIMITED WARRANTY
For Additional Information on Our Limited Warranty, Please See
Our Terms & Conditions

LIGHT SOURCE

INCANDESCENT
Medium Base E26 Socket, 60W Max, 120 VAC

CONSTRUCTION & FINISH

MATERIAL
Made from Durable Porcelain Ceramic

POWDER COAT FINISHES
Polyester Powder Coat Finishes are Electro-Statically Applied and
Thermocured