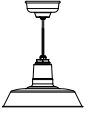




SPS-0729 REV A

# WILCOX QUICK SHIP LED CORD HUNG PENANT

JOB NAME: \_\_\_\_\_ FIXTURE TYPE: \_\_\_\_\_



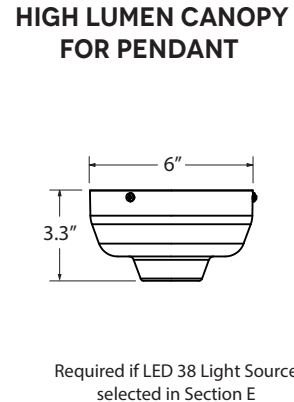
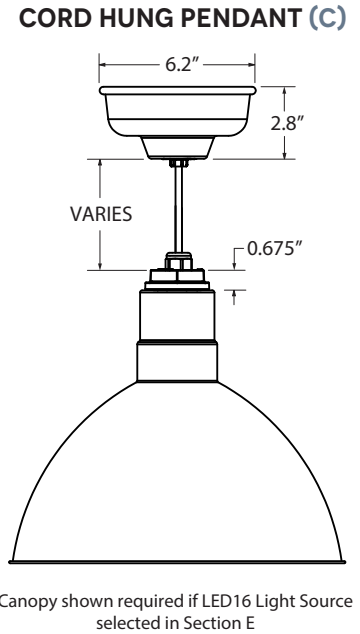
BLE - C - QS - \_\_\_\_\_ - \_\_\_\_\_ - \_\_\_\_\_ - \_\_\_\_\_ - \_\_\_\_\_ - \_\_\_\_\_ - \_\_\_\_\_ - \_\_\_\_\_ - **DL**  
**A**                      **B**                      **C**                      **D**                      **E**                      **F**                      **G**

Order Example: BLE - C - QS - DBW16 - 100 - SBK - NA - LED16 - 3000K - DL

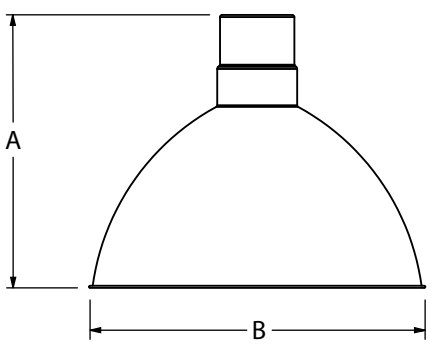
<b>A - SHADE SIZE</b> <b>WILCOX:</b> <b>DBW12</b> 12" Shade <b>DBW16</b> 16" Shade	<b>C - CORDS</b> <b>CSA LISTED CORD OPTIONS:</b> <b>SBK</b> Standard Black Cord <b>SWH</b> Standard White Cord	<b>E - LIGHT SOURCE</b> <b>LED16</b> 1250 Lumen <b>LED38</b> 3000 Lumen
<b>B - SHADE FINISH</b> <b>POWDER COAT FINISHES<sup>1</sup>:</b> <b>100</b> Black <b>200</b> White <b>600</b> Bronze <b>975</b> Galvanized	<b>D - SHADE ACCESSORY</b> <b>NA</b> None/No Wire Cage <b>WC</b> Wire Cage <sup>2</sup>	<b>F - COLOR TEMPERATURE</b> <b>3000K</b> 3000K, Neutral White <b>4000K</b> 4000K, Cool White  <b>G - LED LENS</b> <b>DL</b> Domed Lens

**IMPORTANT:** (1) All Powder Coat finished shades, Galvanized excluded, feature a white interior (2) If selected, shade accessory finish will match selection in Section B

## MOUNTING DIMENSIONS



## LUMINAIRE DIMENSIONS



SHADE CODE	HEIGHT (A)	DIAMETER (B)
DBW12	9.75"	12"
DBW16	12.75"	16"

**SPECIFICATIONS**

**CERTIFICATIONS, LISTINGS & WARRANTY**

MADE IN THE USA  
Manufactured and Hand-Crafted in Our 60,000 Square Foot Facility  
Located in Titusville, FL

CSA LISTED FOR DAMP LOCATIONS

LIMITED WARRANTY  
For Additional Information on Our Limited Warranty, Please See  
Our Terms & Conditions

**CONSTRUCTION & FINISH**

POWDER COAT SHADE  
Hand-Spun from High Purity 3003-O Temper Aluminum

GALVANIZED SHADE  
Hand Spun from High Quality Galvanized Steel

POWDER COAT FINISHES  
Polyester Powder Coat Finishes Are Electro-Staticly Applied and  
Thermocured

CORD  
Cord-Hung Pendants Include 7' of Standard Cord, +/- For Socket  
Orientation

**LED LIGHT SOURCE**

AVAILABLE CCT: 3000K, 4000K

90+ CRI

**ELECTRICAL/LED DRIVER**

POWER FACTOR > 0.9  
EFFICIENCY: UP TO 87% TYPICAL  
INPUT VOLTAGE: 120-277 VAC (SEE DIMMING SECTION)  
CLASS 2 POWER SUPPLY  
LED DRIVER LIFETIME: > 100,000 HOURS (@ 25 DEG C AMBIENT)  
IP64 MINIMUM RATING CASE WITH SILICONE-BASED POTTING

PROTECTIONS  
Output Open Load, Over-Current and Short-Circuit (Hiccup), and  
Over-Temperature with Auto Recovery

CONDUCTED AND RADIATED EMI  
Compliant with FCC CFR Title 47 Part 15 Class B (120 VAC), Class A  
(277 VAC) and EN55015 (CISPR 15) at 220, 230 and 240 VAC

COMPLIANT WITH  
Complies with Energy Star® DLR (DesignLight Consortium®) and CA  
Title 24 Technical Requirements

**DIMMING**

TRI-MODE DIMMING™  
Compatible with TRIAC (Forward-Phase or Leading-Edge), ELV  
(Reverse-Phase or Trailing-Edge) and 0-10 V Dimmers

TRIAC AND ELV DIMMING ONLY AT 120 VAC

DIMMING RANGE 1-100%  
The Dimming Range is Dependent on Each Specific Dimmer. May  
not be able to Achieve 1% Dimming with Some Dimmers

ELV DIMMING AT 230 VAC  
Available by Request