

L01

EXTERIOR | INTERIOR

In-grade | For ground, ceilings, walls, and stairs

- Wet, Damp, and Dry location



Ordering Information

Clear Form

Date : _____

Quantity : _____

Project : _____

Note : _____

Type : _____

Specifications

Luminaire | Example Code: L01-2-W30H-S-C-[]-0-MK3-S-S6

Product	Version	CCT & CRI	Beam Angle ¹	Lens	Accessories ³ (optional)	Internal Angle Bracket ⁴	Mounting Kit ⁵ (optional)	Flange & Back Box ⁶	Trim Finish ⁹
L01									
	1 1W 2 2W	W22S 2200K 80+ W27H 2700K 90+ W30H 3000K 90+ W35H 3500K 90+ W41H 4100K 90+	E elliptical 7°x36° SS super spot 8° S spot 12° N narrow flood 30° F flood 45° W wide flood 120°	C clear F frosted A anti-slip ²	LM louver, matte anodized LB louver, black anodized HM hex louver, matte anodized HB hex louver, black anodized AB angled louver, black anodized SB straight louver, black anodized QB square louver, black anodized RB ring louver, black anodized	0 no angle 15 15° angle X custom	MK1 vertical surface MK3 in-ground	Octagonal Aluminum Back Box with: S standard flange depth: 3-1/2" (89mm) P paving stone flange depth: 5-1/2" (138mm) ⁷ Pipe ⁸: PIPE 1-5/8" PVC pipe length: 11-13/16" (300mm) NB no back box or flange	Aluminum Finishes: MA matte clear anodized BA black anodized BZ bronze powder coated Stainless Steel Finishes: S6 stainless steel 316 BT0 black stainless steel Other Materials: ABZ antique bronze ABR antique brass PBR polished brass

System Components (Ordered Separately)

Remote Driver : _____

Control System : _____

On/Off | Dimming ELV or 0-10 dimming
Other options (consult factory) TRIAC/MLV, DMX, DALI, Casambi, PoE

Important Notes

Specification

- See Light Distribution section for illustration of different combinations of beam angles and angle bracket. Elliptical and Super Spot beam angles are only available with clear lens, and are not available with louver accessories or angle brackets.
- Anti-slip is only available with Clear lens. Refer to Appendix or MP Lighting website for images and details.
- Louvers will be below the glass cover. Only available when there is no Internal Angle Bracket.
- Internal angle bracket is factory set, and cannot be field adjusted. 5° increments to maximum of 20° without accessories. Not applicable for super spot or elliptical options.

- Mounting kit is ordered separately. Please consult factory.
- For components included, refer to Luminaire Construction section. See pg.3 for back box and flange options.
- Paving stone flange is also recommended for a better cement/concrete flow.
- Factory set length of 11-13/16" (300mm). Visit [PIPE-C](#) for details.
- Different finish options are only applicable to trim ring and not for LED module housing. Refer to Appendix or MP Lighting website for complete look of luminaire with different trim finish options.

Warranty Notes & Disclaimer

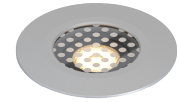
Malfunction and damage to product due to incompatible dimming system or misuse will not be covered under warranty. Consult MP Lighting for recommended drivers. If the fixture has an option to be installed with a dimming control system, consult a dimming system manufacturer with minimum load before installing. MP Lighting reserves the right, at its sole discretion, at any time and without notice, to make design changes to any of our products. Consult MP Lighting website for most updated documentation.

L01

EXTERIOR | INTERIOR

In-grade | For ground, ceilings, walls, and stairs

- Wet, Damp, and Dry location



Performance

Wattage	Forward Current	Power Consumption Budget per fixture (including driver)	LED output (Source)	Fixture Output (Delivered)
1W	350mA	1.3W	110 lm	27-63 lm
2W	700mA	2.6W	220 lm	49-119 lm

Application

Environment	Wet / Damp / Dry Location approved. IP 68.
Drive Over Rating	9,700 lbs (4,400 kg)
Mounting	<p>Recessed: Designed to be cast into earth, gravel, or concrete or inserted into paving stones or pavers. Included backbox, flange and level for direct burial or casting applications.</p> <p>MK1 mounting kit (optional): Recommended for easy installation on vertical surfaces (e.g. stair risers, walls), and downward-facing surfaces (e.g. ceilings, soffits). See "Mounting Options & Dimensions," or visit MK1</p> <p>MK3 mounting kit (optional): Recommended for thicker concrete slab and paving stone in-ground installation. Custom rectangular electrical box option is available for stair riser&wall installation. See "Mounting Options & Dimensions," or visit MK3</p>

Electrical

Power Supplies	Remote LED drivers (120-277V AC input, constant current output): Fixtures to be wired in series.
Control	<p>On/off control Dimming: ELV or 0-10V dimming with appropriate drivers</p> <p>Other options (consult factory): TRIAC/MLV, DMX, DALI, Casambi, Power over Ethernet</p>

Luminaire Construction

LED Light Source	<p>W22S = CCT: 2200K, CRI (Ra): 80+, Colour Consistency: 3SDCM</p> <p>W27H = CCT: 2700K, CRI (Ra): 90+, Colour Consistency: 2SDCM</p> <p>W30H = CCT: 3000K, CRI (Ra): 90+, Colour Consistency: 2SDCM</p> <p>W35H = CCT: 3500K, CRI (Ra): 90+, Colour Consistency: 2SDCM</p> <p>W41H = CCT: 4100K, CRI (Ra): 90+, Colour Consistency: 3SDCM</p>
Weight	1.8 lbs (0.816 kg). Typical Aluminum Insert & Back Box only.
Material	Fixture: machined marine-grade aluminum, machined brass or machined stainless steel (316) with tempered glass
Supplied with	<p>Standard installation housing: Comes with an octagonal back box, a flange/pipe, an integral leveling device, a plastic cap, gel filled wire nuts, and silicone grease.</p> <p>Cable: 6" (152mm) factory-installed wire lead</p>
Warranty & LED Life	5 years limited warranty. Estimated useful life of LED is 50,000 hours.

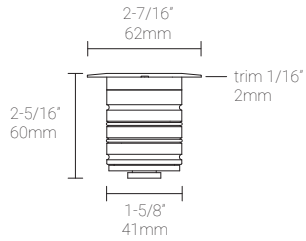
Ordered Separately

System Components	<p>Power supplies: remote driver</p> <p>Please consult factory or visit Recommended Drivers for available driver options.</p> <p>Mounting kits: MK1 or MK3 (custom length rebar in MK3 supplied by contractors)</p> <p>Single Gang Boxes: see Pg.3-5 Mounting Options & Dimensions.</p>
-------------------	--

Mounting Options & Dimensions

LED Insert Dimensions

Fixture



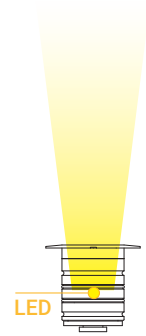
Top View



3D View

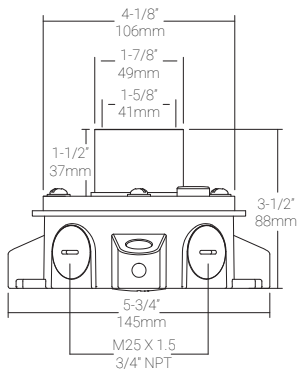


Beam

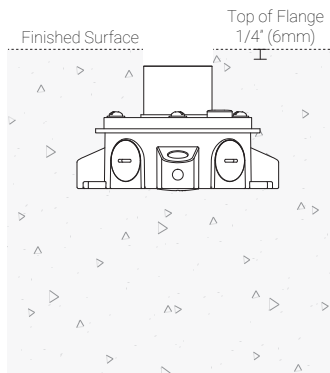


In-ground Installation | Shown with MP Lighting Back Box & Standard Flange (Order Code: **EBX-OCT1-CSMA**)

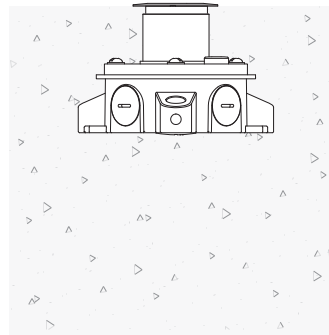
Box with Standard Flange



Box with Standard Flange:
During Concrete Installation

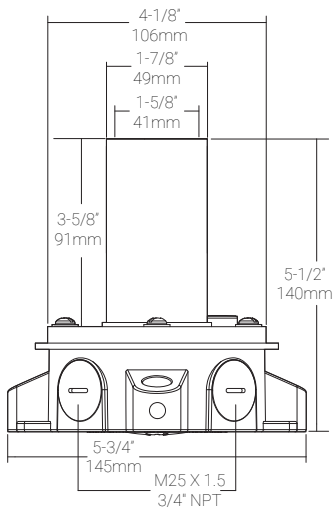


Box with Standard Flange:
Complete Concrete Installation

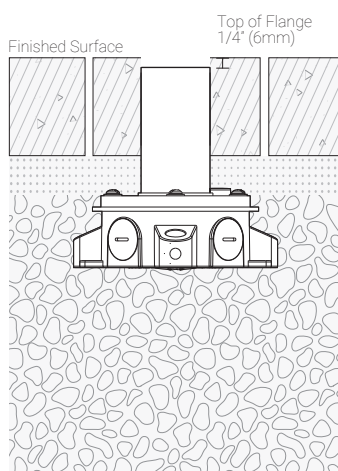


In-ground Installation | Shown with MP Lighting Back Box & Paving Stone Flange (Order Code: **EBX-OCT1-CPMA**)

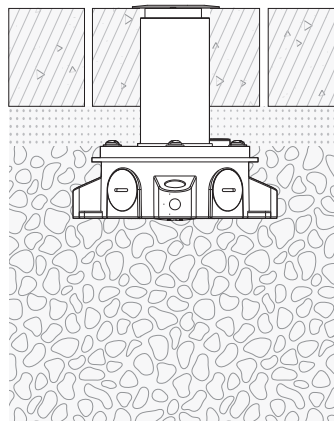
Box with Paving Stone Flange:



Box with Paving Stone Flange:
During Paving Stone Installation



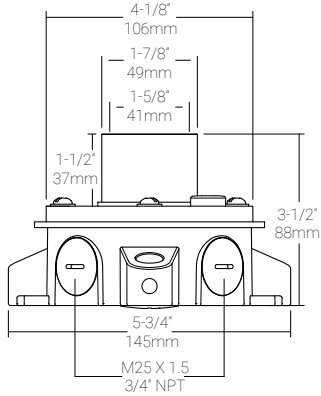
Box with Paving Stone Flange:
Complete Paving Stone Installation



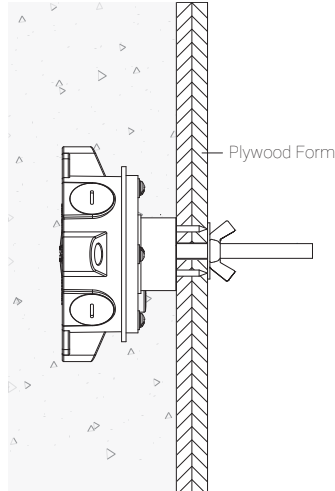
Mounting Kits

MK1(MK1-OCT1-C) : Ceiling, Wall, and Stair Riser Installation | Shown with MP Lighting Back Box (Order Code: EBX-OCT1-CSMA)

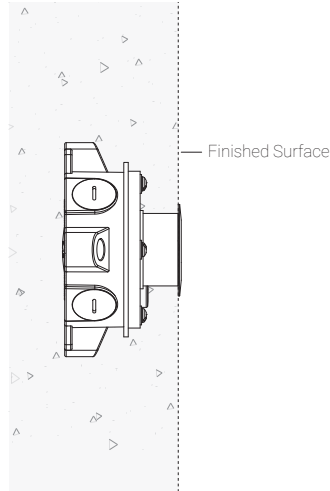
Box with Standard Flange



Box with Standard Flange & MK1:
During Installation



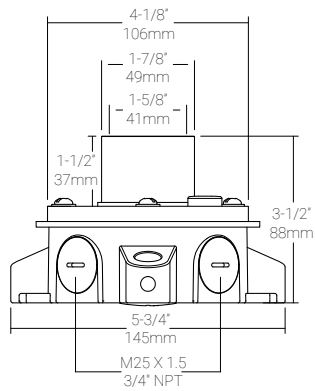
Box with Standard Flange:
Complete Installation



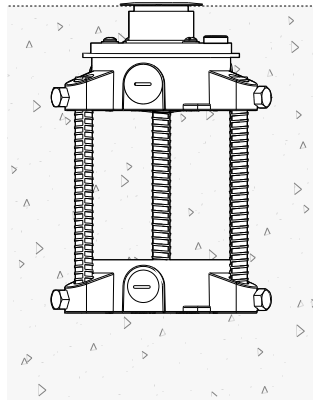
6" (152mm) threaded rod is supplied. Thread size: 3/8"-16

MK3: In-ground Installation | Shown with MP Lighting Back Box (Order Code: EBX-OCT1-CSMA or EBX-OCT1-CPMA)

Back Box (EBX-OCT1-CSMA)

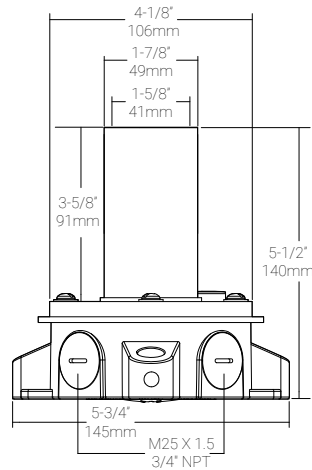


MK3 with Standard Flange and
Back Box

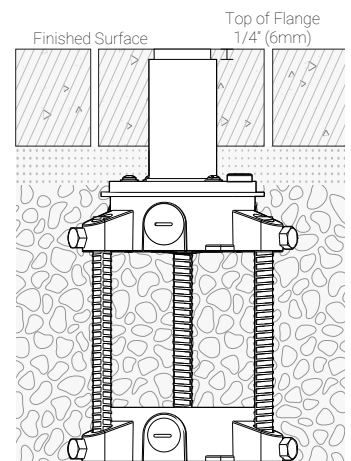


Rebar supplied by others.
Recommended size: Ø1/2"

Back Box (EBX-OCT1-CPMA)



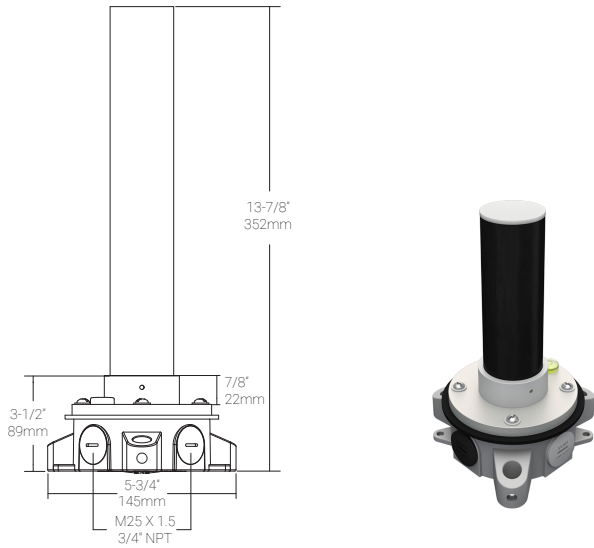
MK3 with Paving Stone Flange
and Back Box



Rebar supplied by others.
Recommended size: Ø1/2"

EBX-OCT1-CPIPE

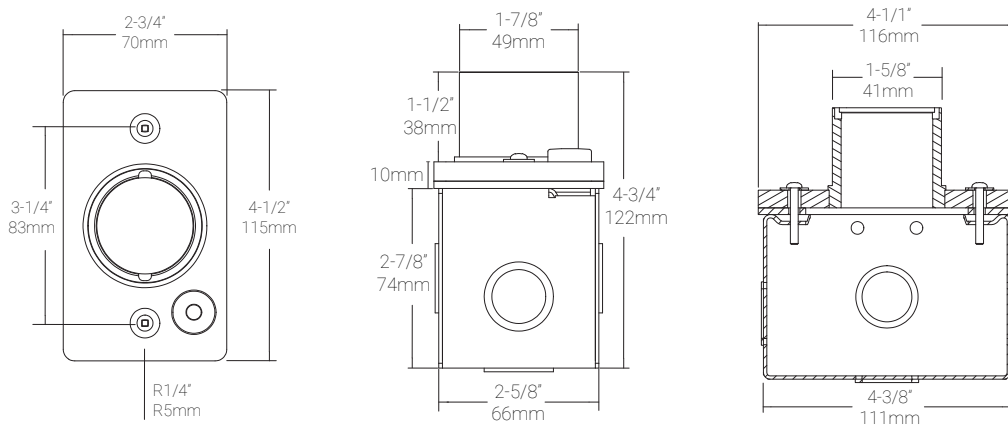
PIPE (PIPE-C) : In-ground/Landscape Installation | Shown with MP Lighting Back Box (Order Code: **EBX-OCT1-CPIPE**)



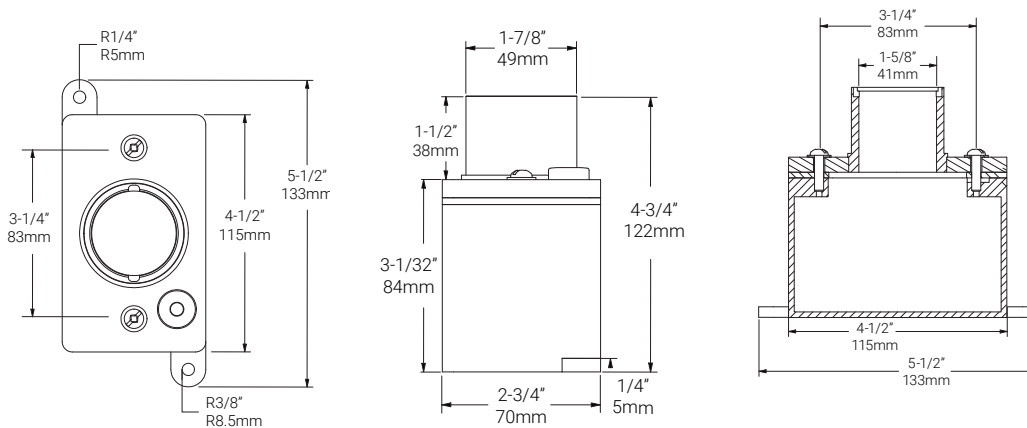
Rectangular Back Box for Wall Installation | shown with standard flange

1. For wall installation, custom rectangular electrical boxes are available as alternative options.

MP Lighting Single Gang Back Box | Order Code: **EBX-SGB1-CSMA**

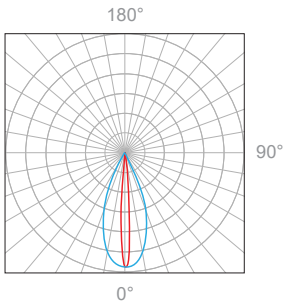


Scepter FD Back box | Order Code: **EBX-SFD-CSMA**

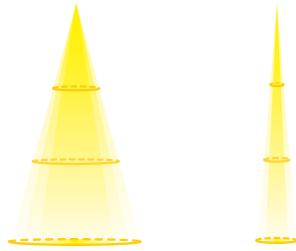


1W, 3000K, 90+ CRI

Polar Candela Distribution



Beam Width: 7° + 36°

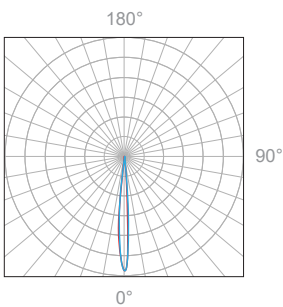


Illuminance at a Distance

Distance		Center Beam fc	Beam Width			
1.5ft	0.46m	92.9fc	1.0ft	0.30m	0.2ft	0.06m
3.0ft	0.91m	23.2fc	2.0ft	0.61m	0.4ft	0.12m
4.5ft	1.37m	10.3fc	2.9ft	0.88m	0.5ft	0.15m
6.0ft	1.83m	5.81fc	3.9ft	1.18m	0.7ft	0.21m
7.5ft	2.29m	3.72fc	4.9ft	1.49m	0.9ft	0.27m
9.0ft	2.74m	2.58fc	5.9ft	1.79m	1.0ft	0.30m

Delivered Lumen: 27 lm
 ■ Vertical Beam Spread: 36.1°
 ■ Horizontal Beam Spread: 6.7°

Polar Candela Distribution



Beam Width: 8°

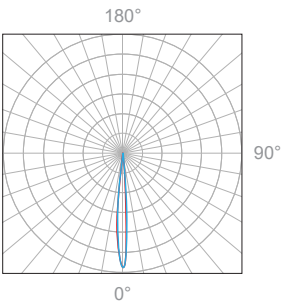


Illuminance at a Distance

Distance		Center Beam fc	Beam Width			
1.5ft	0.46m	537fc	0.2ft	0.06m	0.2ft	0.06m
3.0ft	0.91m	134fc	0.4ft	0.12m	0.5ft	0.15m
4.5ft	1.37m	59.6fc	0.6ft	0.18m	0.7ft	0.21m
6.0ft	1.83m	33.5fc	0.8ft	0.24m	0.9ft	0.27m
7.5ft	2.29m	21.5fc	1.1ft	0.33m	1.2ft	0.36m
9.0ft	2.74m	14.9fc	1.3ft	0.39m	1.4ft	0.42m

Delivered Lumen: 46.2 lm
 ■ Vertical Beam Spread: 8.1°
 ■ Horizontal Beam Spread: 8.8°

Polar Candela Distribution



Beam Width: 12°

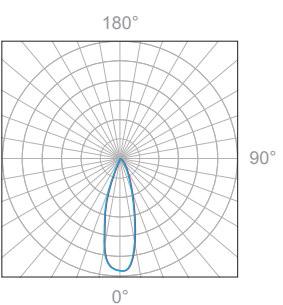


Illuminance at a Distance

Distance		Center Beam fc	Beam Width			
1.5ft	0.46m	424fc	0.3ft	0.09m	0.3ft	0.09m
3.0ft	0.91m	140fc	0.6ft	0.18m	0.6ft	0.18m
4.5ft	1.37m	62fc	0.9ft	0.27m	0.9ft	0.27m
6.0ft	1.83m	35fc	1.3ft	0.39m	1.3ft	0.39m
7.5ft	2.29m	23fc	1.6ft	0.48m	1.6ft	0.48m
9.0ft	2.74m	16fc	1.9ft	0.58m	1.9ft	0.58m

Delivered Lumen: 63.4 lm
 ■ Vertical Beam Spread: 12°
 ■ Horizontal Beam Spread: 12°

Polar Candela Distribution



Beam Width: 30°



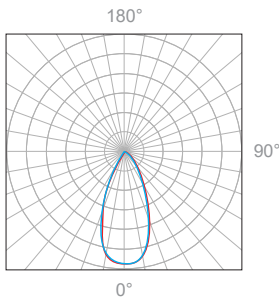
Illuminance at a Distance

Distance		Center Beam fc	Beam Width			
1.5ft	0.46m	82.3fc	0.8ft	0.24m	0.8ft	0.24m
3.0ft	0.91m	20.6fc	1.6ft	0.49m	1.6ft	0.49m
4.5ft	1.37m	9.14fc	2.4ft	0.73m	2.4ft	0.73m
6.0ft	1.83m	5.14fc	3.2ft	0.98m	3.2ft	0.98m
7.5ft	2.29m	3.29fc	4.0ft	1.22m	4.0ft	1.22m
9.0ft	2.74m	2.29fc	4.7ft	1.43m	4.7ft	1.43m

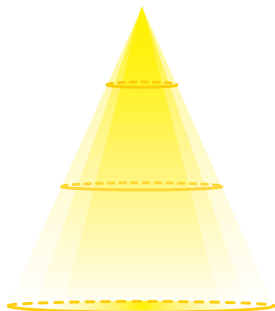
Delivered Lumen: 65.8 lm
 ■ Vertical Beam Spread: 29.5°
 ■ Horizontal Beam Spread: 29.5°

1W, 3000K, 90+ CRI

Polar Candela Distribution



Beam Width: 45°

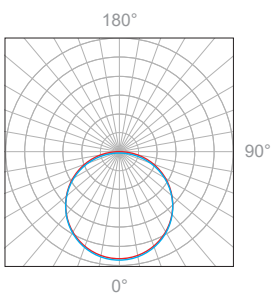


Illuminance at a Distance

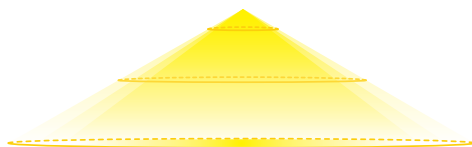
Distance		Center Beam fc	Beam Width			
3.0ft	0.91m	12.1fc	2.6ft	0.79m	2.5ft	0.76m
6.0ft	1.83m	3.04fc	5.1ft	1.55m	5.1ft	1.55m
9.0ft	2.74m	1.35fc	7.7ft	2.34m	7.6ft	2.31m
12.0ft	3.65m	0.76fc	10.2ft	3.10m	10.1ft	3.07m
15.0ft	4.57m	0.49fc	12.8ft	3.90m	12.6ft	3.84m
18.0ft	5.48m	0.34fc	15.4ft	4.69m	15.2ft	4.63m

Delivered Lumen: 77.7 lm
 ■ Vertical Beam Spread : 46.2°
 ■ Horizontal Beam Spread : 45.7°

Polar Candela Distribution



Beam Width: 120°



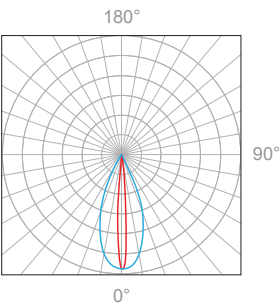
Illuminance at a Distance

Distance		Center Beam fc	Beam Width			
1.5ft	0.46m	11.3fc	4.1ft	1.25m	4.1ft	1.25m
3.0ft	0.91m	2.82fc	8.1ft	2.46m	8.1ft	2.46m
4.5ft	1.37m	1.26fc	12.2ft	3.71m	12.2ft	3.71m
6.0ft	1.83m	0.71fc	16.3ft	4.96m	16.3ft	4.96m
7.5ft	2.29m	0.45fc	20.3ft	6.18m	20.3ft	6.18m
9.0ft	2.74m	0.31fc	24.4ft	7.43m	24.4ft	7.43m

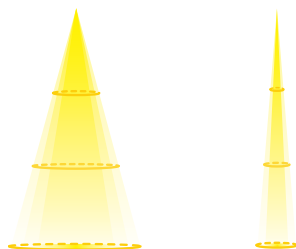
Delivered Lumen: 63 lm
 ■ Vertical Beam Spread : 107.1°
 ■ Horizontal Beam Spread : 107.1°

2W, 3000K, 90+ CRI

Polar Candela Distribution



Beam Width: 7° + 36°

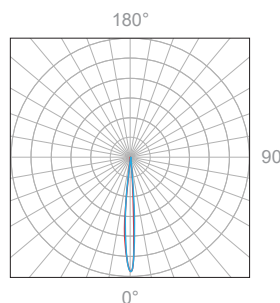


Illuminance at a Distance

Distance		Center Beam fc	Beam Width			
1.5ft	0.46m	165fc	1.0ft	0.30m	0.2ft	0.06m
3.0ft	0.91m	41.3fc	2.0ft	0.61m	0.4ft	0.12m
4.5ft	1.37m	18.3fc	2.9ft	0.88m	0.5ft	0.15m
6.0ft	1.83m	10.3fc	3.9ft	1.18m	0.7ft	0.21m
7.5ft	2.29m	6.60fc	4.9ft	1.49m	0.9ft	0.27m
9.0ft	2.74m	4.59fc	5.9ft	1.79m	1.1ft	0.33m

Delivered Lumen: 49 lm
 ■ Vertical Beam Spread: 36.3°
 ■ Horizontal Beam Spread: 6.8°

Polar Candela Distribution



Beam Width: 8°



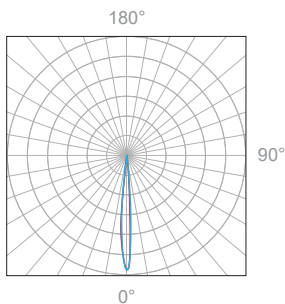
Illuminance at a Distance

Distance		Center Beam fc	Beam Width			
1.5ft	0.46m	1,015fc	0.2ft	0.06m	0.2ft	0.06m
3.0ft	0.91m	254fc	0.4ft	0.12m	0.4ft	0.12m
4.5ft	1.37m	113fc	0.7ft	0.21m	0.6ft	0.18m
6.0ft	1.83m	63.4fc	0.9ft	0.27m	0.9ft	0.27m
7.5ft	2.29m	40.6fc	1.1ft	0.33m	1.1ft	0.33m
9.0ft	2.74m	28.2fc	1.3ft	0.39m	1.3ft	0.39m

Delivered Lumen: 61.3 lm
 ■ Vertical Beam Spread: 8.5°
 ■ Horizontal Beam Spread: 8.2°

2W, 3000K, 90+ CRI

Polar Candela Distribution



Beam Width: 12°

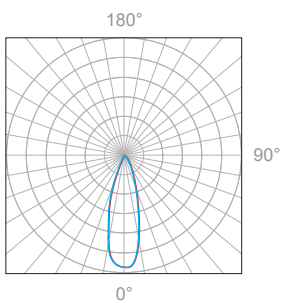


Illuminance at a Distance

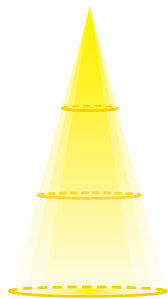
Distance		Center Beam fc	Beam Width			
1.5ft	0.46m	774fc	0.3ft	0.09m	0.3ft	0.09m
3.0ft	0.91m	194fc	0.6ft	0.18m	0.6ft	0.18m
4.5ft	1.37m	86fc	0.9ft	0.27m	0.9ft	0.27m
6.0ft	1.83m	48.4fc	1.3ft	0.39m	1.3ft	0.39m
7.5ft	2.29m	31fc	1.6ft	0.48m	1.6ft	0.48m
9.0ft	2.74m	21.5fc	1.9ft	0.58m	1.9ft	0.58m

Delivered Lumen: 116.8 lm
 ■ Vertical Beam Spread: 12°
 ■ Horizontal Beam Spread: 12°

Polar Candela Distribution



Beam Width: 30°

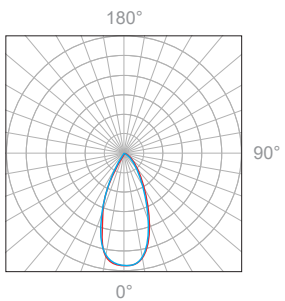


Illuminance at a Distance

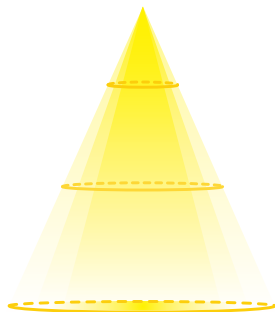
Distance		Center Beam fc	Beam Width			
1.5ft	0.46m	152fc	0.8ft	0.24m	0.8ft	0.24m
3.0ft	0.91m	38fc	1.6ft	0.48m	1.6ft	0.48m
4.5ft	1.37m	16.9fc	2.4ft	0.73m	2.4ft	0.73m
6.0ft	1.83m	9.49fc	3.2ft	0.97m	3.2ft	0.97m
7.5ft	2.29m	6.07fc	4.0ft	1.22m	4.0ft	1.22m
9.0ft	2.74m	4.22fc	4.7ft	1.43m	4.7ft	1.43m

Delivered Lumen: 121 lm
 ■ Vertical Beam Spread: 29.5°
 ■ Horizontal Beam Spread: 29.5°

Polar Candela Distribution



Beam Width: 45°

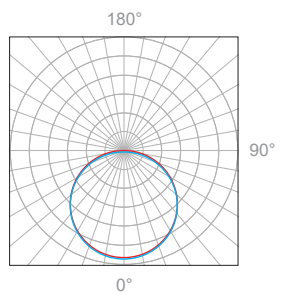


Illuminance at a Distance

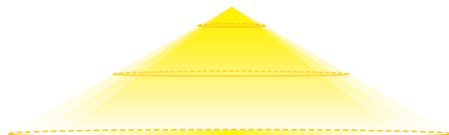
Distance		Center Beam fc	Beam Width			
3.0ft	0.91m	21.8fc	2.6ft	0.79m	2.6ft	0.79m
6.0ft	1.83m	5.45fc	5.2ft	1.58m	5.1ft	1.55m
9.0ft	2.74m	2.42fc	7.7ft	2.34m	7.7ft	2.34m
12.0ft	3.65m	1.36fc	10.3ft	3.13m	10.2ft	3.10m
15.0ft	4.57m	0.87fc	12.9ft	3.93m	12.8ft	3.90m
18.0ft	5.48m	0.61fc	15.5ft	4.72m	15.3ft	4.66m

Delivered Lumen: 139.1 lm
 ■ Vertical Beam Spread : 46.5°
 ■ Horizontal Beam Spread : 46.1°

Polar Candela Distribution



Beam Width: 120°



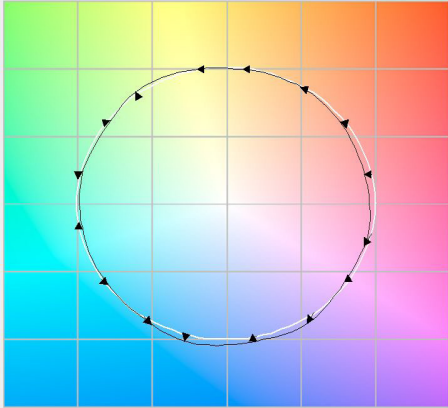
Illuminance at a Distance

Distance		Center Beam fc	Beam Width			
1.5ft	0.46m	21.3fc	4.1ft	1.25m	4.1ft	1.25m
3.0ft	0.91m	5.33fc	8.1ft	2.46m	8.1ft	2.46m
4.5ft	1.37m	2.37fc	12.2ft	3.71m	12.2ft	3.71m
6.0ft	1.83m	1.33fc	16.3ft	4.96m	16.3ft	4.96m
7.5ft	2.29m	0.85fc	20.3ft	6.18m	20.3ft	6.18m
9.0ft	2.74m	0.59fc	24.4ft	7.43m	24.4ft	7.43m

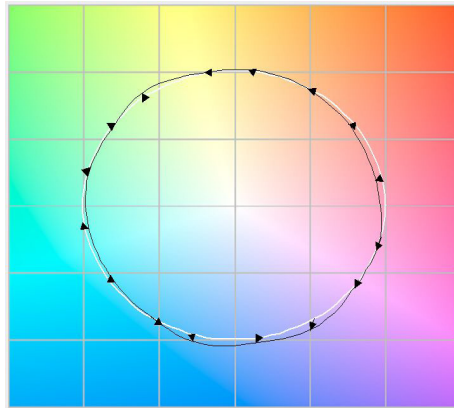
Delivered Lumen: 119 lm
 ■ Vertical Beam Spread : 107.1°
 ■ Horizontal Beam Spread : 107.1°

TM30 Report

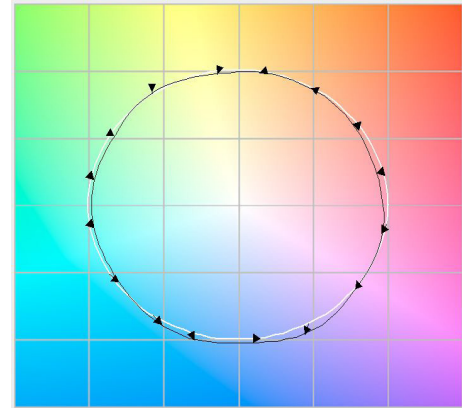
2700K, 90+CRI



3000K, 90+CRI

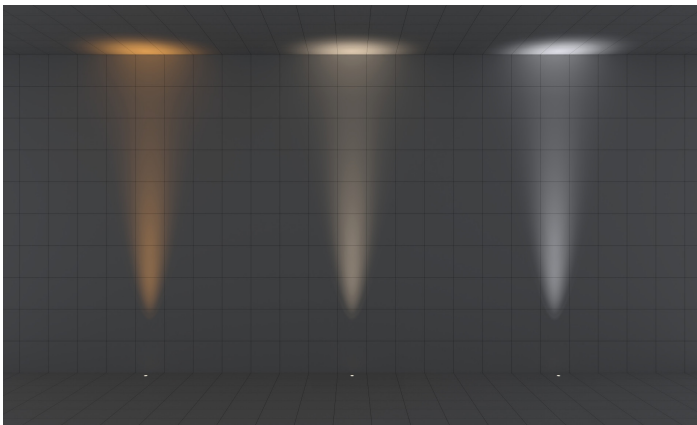


3500K, 90+CRI

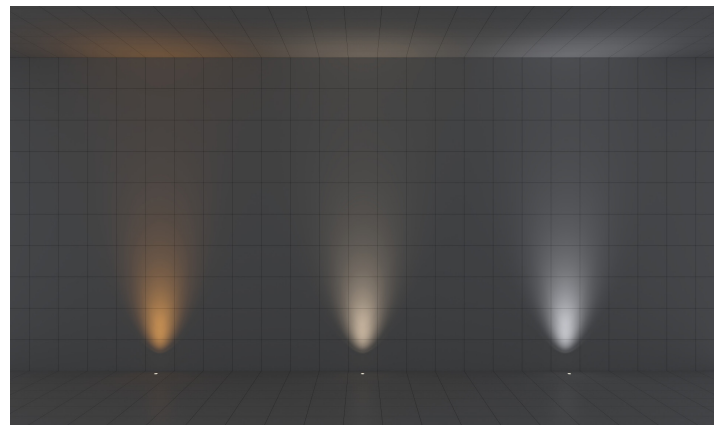


Colour Temperature Comparison | 2200K, 2700K, 3000K

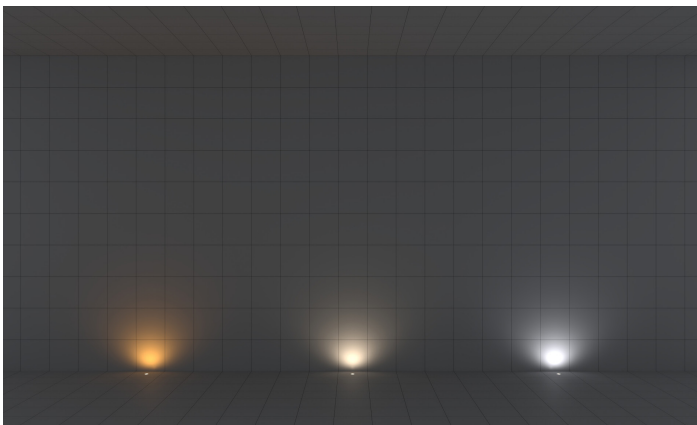
12° | 6" (152mm) Gap | 10ft Wall



30° | 6" (152mm) Gap | 10ft Wall

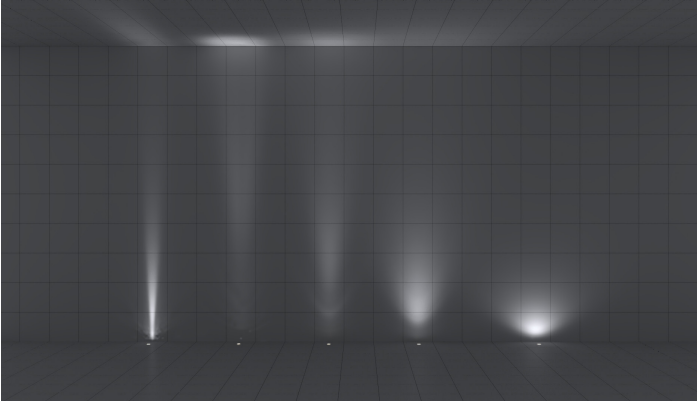


120° | 6" (152mm) Gap | 10ft Wall



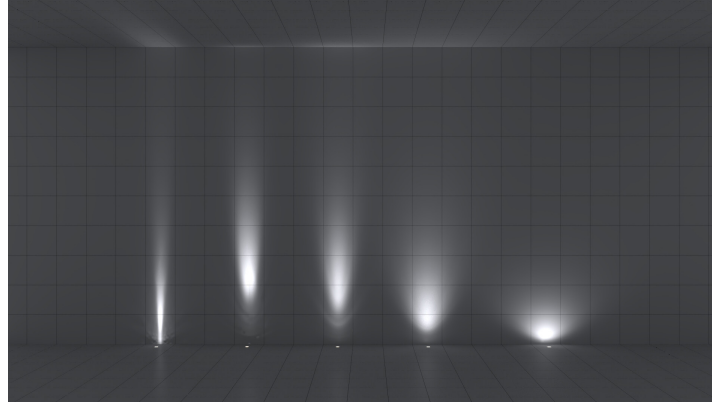
Light Distribution | 10ft Wall | Fixtures installed 6" (152mm) away from the wall

L01 | 1W | 0° angle bracket | 10ft wall | Clear Lens | 3000K



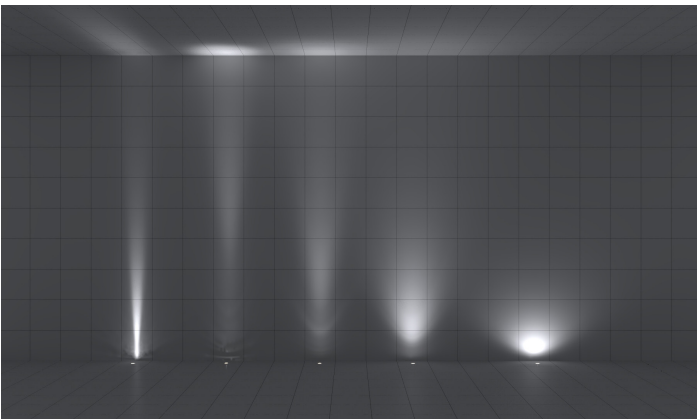
- From left to right:**
E elliptical 7°+ 36°
SS super spot 8°
S spot 12°
N narrow flood 30°
W wide flood 120°

L01 | 1W | 10° angle bracket | 10ft wall | Clear Lens | 3000K



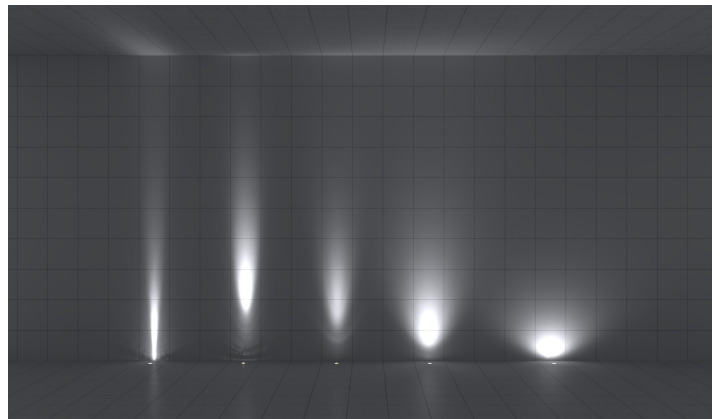
- From left to right:**
E elliptical 7°+ 36°
SS super spot 8°
S spot 12°
N narrow flood 30°
W wide flood 120°

L01 | 2W | 0° angle bracket | 10ft wall | Clear Lens | 3000K



- From left to right:**
E elliptical 7°+ 36°
SS super spot 8°
S spot 12°
N narrow flood 30°
W wide flood 120°

L01 | 2W | 10° angle bracket | 10ft wall | Clear Lens | 3000K

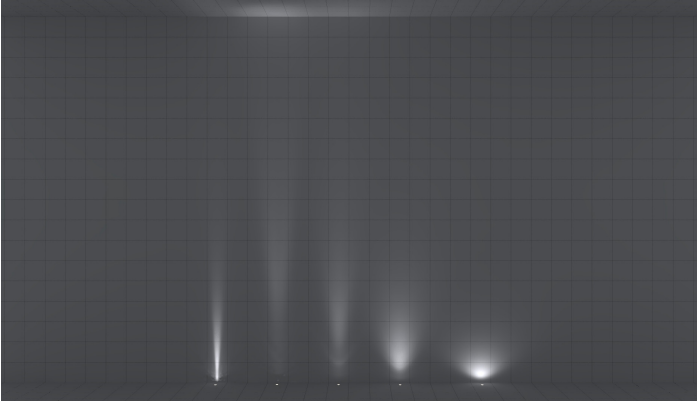


- From left to right:**
E elliptical 7°+ 36°
SS super spot 8°
S spot 12°
N narrow flood 30°
W wide flood 120°

* Images will appear darker when printed.

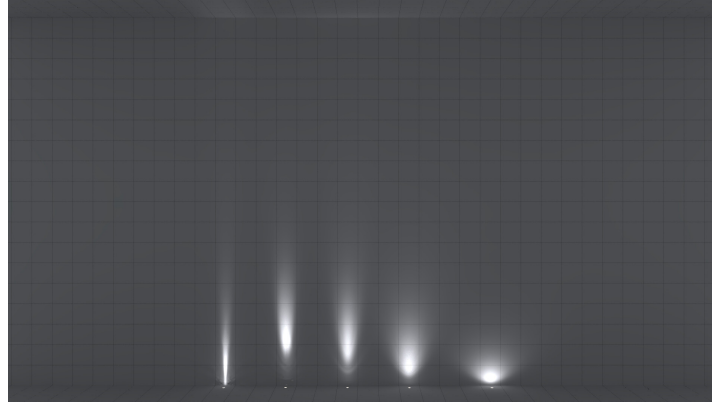
Light Distribution | 18ft Wall | Fixtures installed 6" (152mm) away from the wall

L01 | 1W | 0° angle bracket | 18ft wall | Clear Lens | 3000K



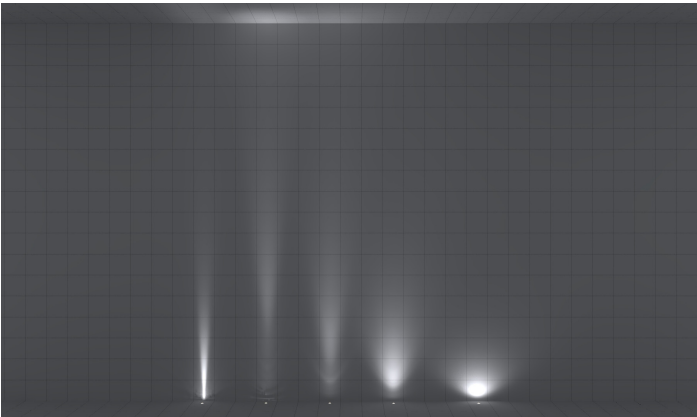
- From left to right:**
- E** elliptical 7°+ 36°
 - SS** super spot 8°
 - S** spot 12°
 - N** narrow flood 30°
 - W** wide flood 120°

L01 | 1W | 10° angle bracket | 18ft wall | Clear Lens | 3000K



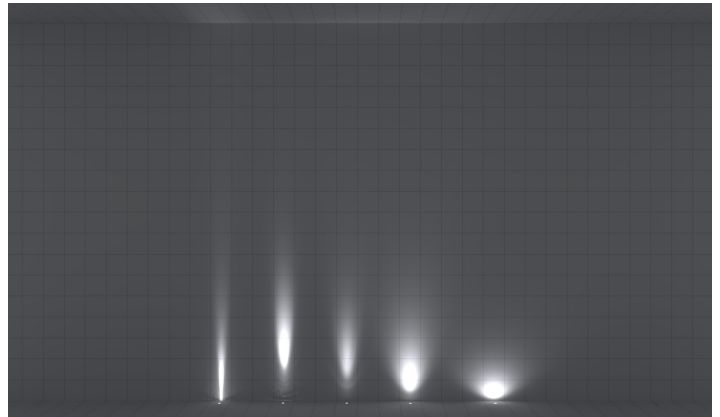
- From left to right:**
- E** elliptical 7°+ 36°
 - SS** super spot 8°
 - S** spot 12°
 - N** narrow flood 30°
 - W** wide flood 120°

L01 | 2W | 0° angle bracket | 18ft wall | Clear Lens | 3000K



- From left to right:**
- E** elliptical 7°+ 36°
 - SS** super spot 8°
 - S** spot 12°
 - N** narrow flood 30°
 - W** wide flood 120°

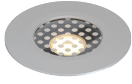
L01 | 2W | 10° angle bracket | 18ft wall | Clear Lens | 3000K



- From left to right:**
- E** elliptical 7°+ 36°
 - SS** super spot 8°
 - S** spot 12°
 - N** narrow flood 30°
 - W** wide flood 120°

Appendix

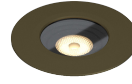
Aluminum Finishes



MA matte clear anodized with anti-slip lens



BA black anodized



BZ bronze

Stainless Steel Finishes

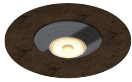


S6 stainless steel 316

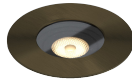


BT0 black stainless steel

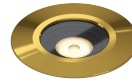
Other Materials



ABZ antique bronze



ABR antique brass



PBR polished brass

Accessories



LM louver, matte clear anodized



LB louver, black anodized



HM hex louver, matte clear anodized



HB hex louver, black anodized



AB angled louver, black anodized



SB straight louver, black anodized



QB square louver, black anodized



RB ring louver, black anodized

Lens Options



C clear lens

F frosted

A anti-slip