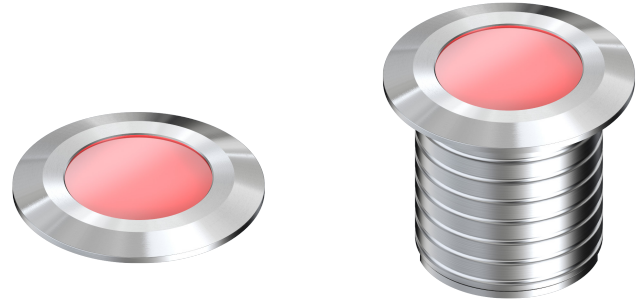


# L05

EXTERIOR | INTERIOR  
In-grade | For wildlife lighting

- Wet, Damp, and Dry location



## Ordering Information

Clear Form

Date : \_\_\_\_\_ Quantity : \_\_\_\_\_

Project : \_\_\_\_\_ Note : \_\_\_\_\_

Type : \_\_\_\_\_

## Specifications

Luminaire | Example Code: L05-3-RD-F-F-[ ]-0-MK3-S-S6

Product	Version	CCT & CRI	Beam Angle	Lens	Accessories (optional)	Internal Angle Bracket <sup>1</sup>	Mounting Kit <sup>2</sup> (optional)	Flange & Back Box <sup>3,4,5</sup>	Trim Finish <sup>6</sup>
L05	3	RD	F	F					
	3 1Wx3	RD red light	F flood 60°	F frosted	<b>HM2</b> hex louver, matte anodized <b>HB2</b> hex louver, black anodized <b>AB2</b> angled louver, black anodized <b>SB2</b> straight louver, black anodized <b>QB2</b> square louver, black anodized <b>RB2</b> ring louver, black anodized <b>NB2</b> narrow louver, black anodized	<b>0</b> no angle <b>30</b> 30° angle	<b>MK1</b> vertical surface <b>MK3</b> in-ground	<b>Octagonal Aluminum Back Box with :</b> <b>S</b> standard flange depth: 2-1/2" (65mm) <b>P</b> paving stone flange depth: 4-1/2" (114mm) <b>NB</b> no back box or flange	<b>Stainless Steel Finishes:</b> <b>S6</b> stainless steel 316

## System Components (Ordered Separately)

Remote Driver : \_\_\_\_\_

\* Consult MP Lighting Website or Factory.

## Important Notes

### Specification

- Internal angle bracket is factory set, and cannot be field adjusted. 5° increments to maximum of 30° without accessories. Maximum 15° angle with accessories.
- Mounting kit is ordered separately. Please consult factory.
- For components included, refer to Luminaire Construction section.
- For custom box and flange options, consult MP factory.
- Paving stone flange is also recommended for a better cement/concrete flow.
- Different finish options are only applicable to trim ring and not for LED module housing. Refer to Appendix or MP Lighting website for complete look of luminaire with different trim finish options.

### Warranty Notes & Disclaimer

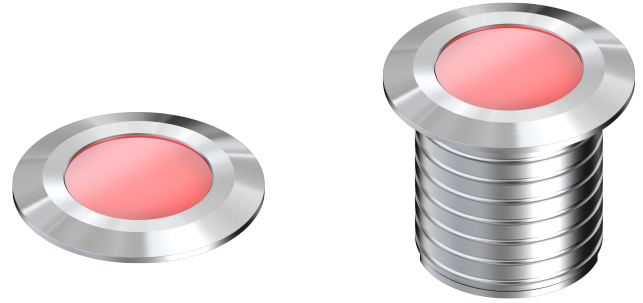
Malfunction and damage to product due to incompatible dimming system or misuse will not be covered under warranty. Consult MP Lighting for recommended drivers. If the fixture has an option to be installed with a dimming control system, consult a dimming system manufacturer with minimum load before installing. MP Lighting reserves the right, at its sole discretion, at any time and without notice, to make design changes to any of our products. Consult MP Lighting website for most updated documentation.

# L05

EXTERIOR | INTERIOR

In-grade | For ground, ceilings, walls, and stairs

Wet, Damp, and Dry location



## Performance

Wattage	Forward Current	Power Consumption Budget per fixture (including driver)	LED output (Source)	Fixture Output (Delivered)
3W	350mA	3.9W	330 lm	117 lm

## Application

Environment	Dry / Damp / Wet Location approved. IP 66.
Drive Over Rating	9,700 lbs (4,400 kg).
Mounting	<p><b>Recessed:</b> Designed to be cast into earth, gravel, or concrete or inserted into paving stones or pavers. Included backbox, flange and level for direct burial or casting applications.</p> <p><b>MK1 mounting kit (optional):</b> Recommended for easy installation on vertical surfaces (e.g. stair risers, walls), and downward-facing surfaces (e.g. ceilings, soffits). See "Mounting Options &amp; Dimensions," or visit <a href="#">MK1</a></p> <p><b>MK3 mounting kit (optional):</b> Recommended for thicker concrete slab and paving stone in-ground installation. Custom rectangular electrical box option is available for stair riser&amp;wall installation. See "Mounting Options &amp; Dimensions," or visit <a href="#">MK3</a></p>

## Electrical

Power Supplies	Remote LED drivers (120-277V AC input, <b>constant current output</b> ): Fixtures to be wired in series. Remote LED drivers (120-277V AC input, <b>constant voltage output</b> ): Fixtures to be wired in parallel.
Control	<p><b>On/off control.</b></p> <p><b>Dimming:</b> ELV or 0-10V dimming with appropriate drivers.</p> <p><b>Other options (consult factory):</b> TRIAC/MLV, DMX, DALI, Casambi, Power over Ethernet.</p>

## Luminaire Construction

LED Light Source	<b>RED</b>
Weight	2.56 lbs (1.16 kg).
Material	<b>Fixture:</b> machined stainless steel (316) with tempered glass
Supplied with	<p><b>Standard installation housing:</b> Comes with an octagonal back box, a flange, an integral leveling device, a plastic cap, gel filled wire nuts, and silicone grease.</p> <p><b>Cable:</b> 6" (152mm) factory-installed wire lead.</p>
Warranty & LED Life	5 years limited warranty. Estimated useful life of LED is 50,000 hours.

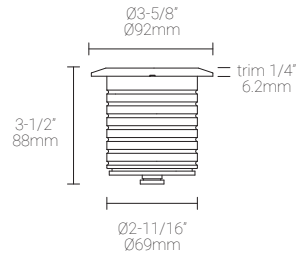
## Ordered Separately

System Components	<p><b>Power supplies:</b> remote driver</p> <p>Please consult factory or visit <a href="#">Recommended Drivers</a> for available driver options.</p> <p><b>Mounting kits:</b> MK1 or MK3 (custom length rebar in MK3 supplied by contractors)</p>
-------------------	---

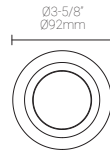
Mounting Options & Dimensions

LED Insert Dimensions

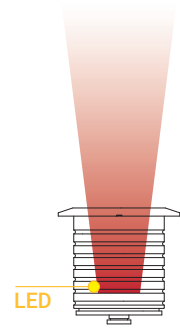
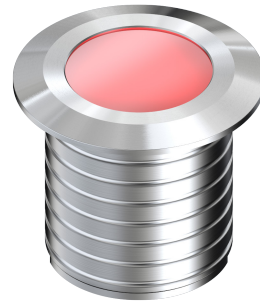
Fixture



Top View

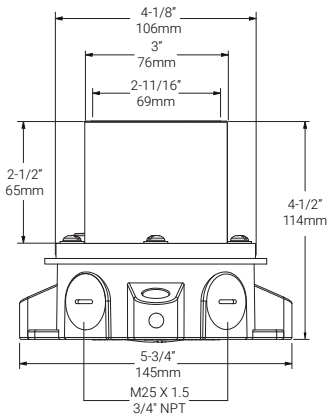


3D View

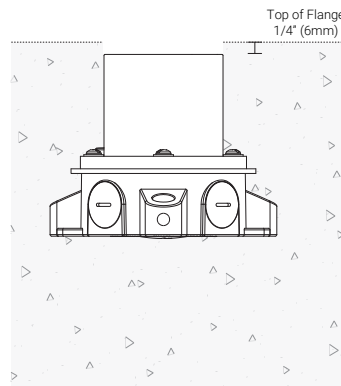


In-ground Installation (shown with MP Lighting Back Box | Order Code: **EBX-OCT1-DSMA**)

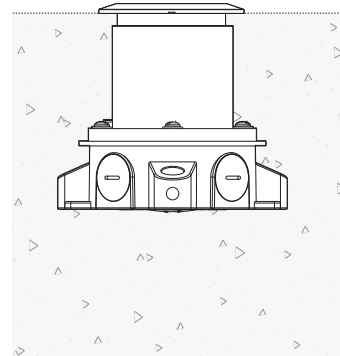
Box with Standard Flange



Box with Standard Flange:  
During Concrete Installation

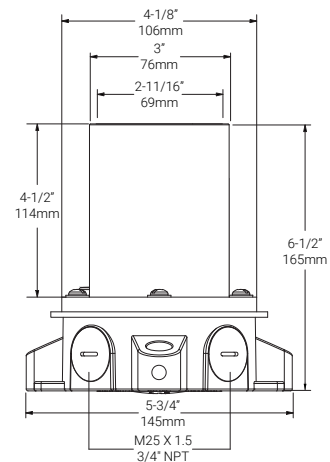


Box with Standard Flange:  
Complete Concrete Installation

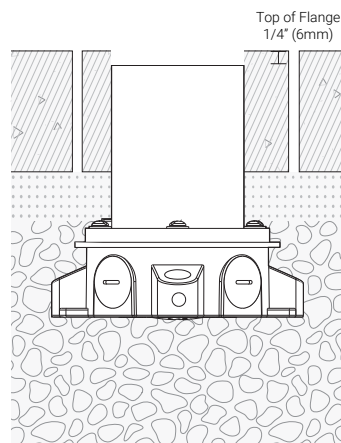


In-ground Installation (shown with MP Lighting Back Box | Order Code: **EBX-OCT1-DPMA**)

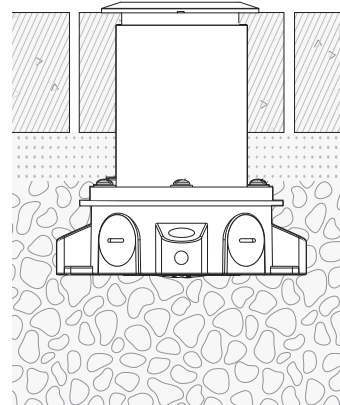
Box with Paving Stone Flange:



Box with Paving Stone Flange:  
During Paving Stone Installation



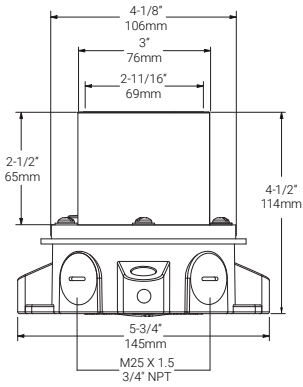
Box with Paving Stone Flange:  
Complete Paving Stone Installation



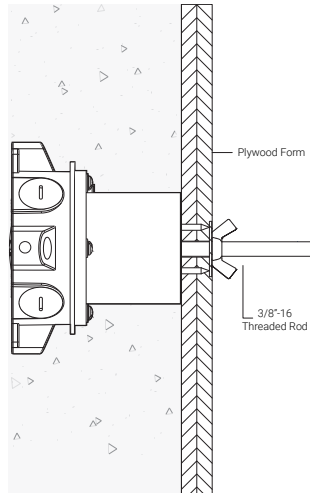
Mounting Kits

**MK1: Ceiling, Wall, and Stair Riser Installation (shown with MP Lighting Back Box)**

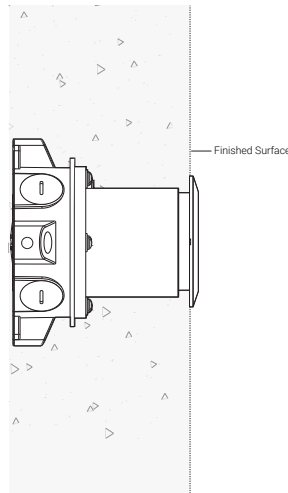
Box with Standard Flange



Box with Standard Flange & MK1:  
During Installation

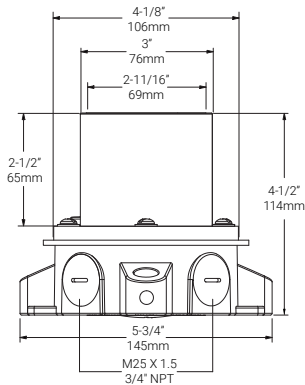


Box with Standard Flange:  
Complete Installation

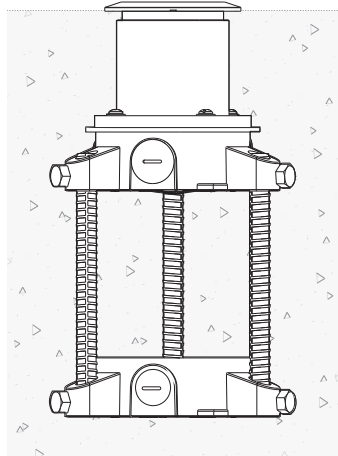


**MK3: In-ground Installation (shown with MP Lighting Back Box)**

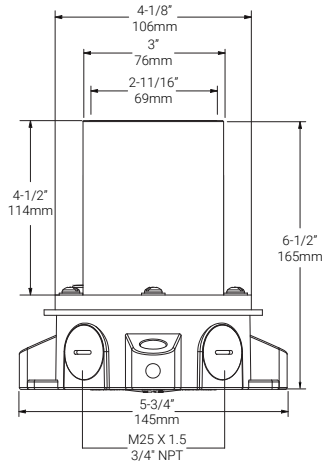
Standard Flange and Back Box



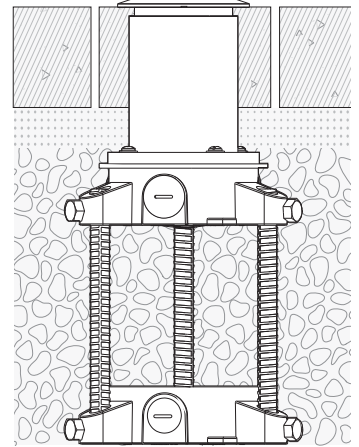
MK3 with Standard Flange and  
Back Box



Paving Stone Flange and Back Box

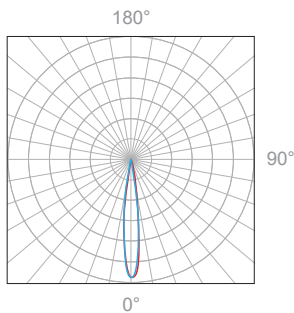


MK3 with Paving Stone Flange and  
Back Box

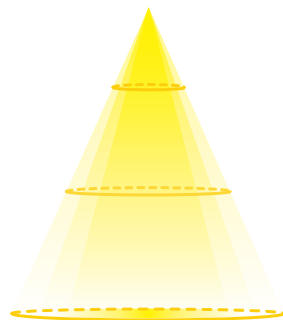


**3W, 3000K, 90+ CRI**

Polar Candela Distribution



Beam Width: 60°



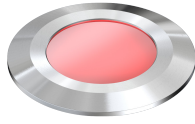
Illuminance at a Distance

Distance		Center Beam	Beam Width			
1.5ft	0.46m	230fc	1.7ft	0.52m	1.7ft	0.52m
3.0ft	0.91m	54fc	3.5ft	1.07m	3.5ft	1.07m
4.5ft	1.37m	22fc	5.2ft	1.58m	5.2ft	1.58m
6.0ft	1.83m	12fc	7.0ft	2.13m	7.0ft	2.13m
7.5ft	2.29m	7.8fc	8.7ft	2.65m	8.7ft	2.65m
9.0ft	2.74m	5.7fc	10.5ft	3.20m	10.5ft	3.20m
12ft	3.66m	3fc	14.0ft	4.27m	14.0ft	4.27m
15ft	4.57m	2fc	17.4ft	5.30m	17.4ft	5.30m
18ft	5.49m	1.5fc	20.9ft	6.37m	20.9ft	6.37m

Delivered Lumen: 117.5lm  
■ Vertical Beam Spread : 60.4°  
■ Horizontal Beam Spread : 60.4°

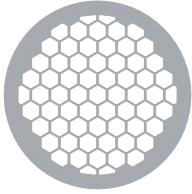
Appendix

Stainless Steel Finishes

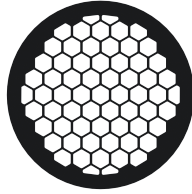


S6 stainless steel 316

Accessories



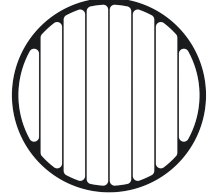
HM2 hex louver, matte clear anodized



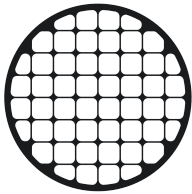
HB2 hex louver, black anodized



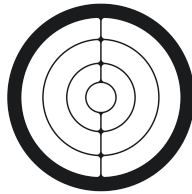
AB2 angled louver, black anodized



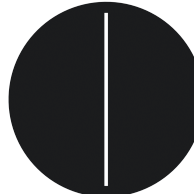
SB2 straight louver, black anodized



QB2 square louver, black anodized



RB2 ring louver, black anodized



NB2 narrow louver, black anodized

Lens Options



F frosted