

L06

EXTERIOR | INTERIOR

In-grade | Indicator, marker light for wayfinding

- Wet, Damp, and Dry location



Ordering Information

Clear Form

Date :	_____	Quantity :	_____
Project :	_____	Note :	_____
Type :	_____		_____

Specifications

Luminaire | Example Code: L06-W30H-C-B-3-S6

Product	CCT & CRI ¹	Lens	Back Box	Threaded Pipe ²	Trim Finish
L06					S6
	W22S 2200K 80+	C clear	B back box	3 3" (76mm)	S6 stainless steel 316
	W27H 2700K 90+	F frosted	N no back box	X custom length	
	W30H 3000K 90+				
	W35H 3500K 90+				
	W41H 4100K 90+				

System Components (Ordered Separately)

Remote Driver : _____

* Consult MP Lighting Website or Factory.

Important Notes

Specification

- Refer to pg.2 - for Light Quality & Colour Consistency details.
- Maximum threaded pipe length: 6" (152mm)

Warranty Notes & Disclaimer

Malfunction and damage to product due to incompatible dimming system or misuse will not be covered under warranty. Consult MP Lighting for recommended drivers. If the fixture has an option to be installed with a dimming control system, consult a dimming system manufacturer with minimum load before installing. MP Lighting reserves the right, at its sole discretion, at any time and without notice, to make design changes to any of our products. Consult MP Lighting website for most updated documentation.

L06

EXTERIOR | INTERIOR

In-grade | Indicator, marker light for wayfinding

- Wet, Damp, and Dry location



Performance

Wattage	Driver Input Voltage	Power Consumption Budget per fixture (including driver)	LED output (Source)	Fixture Output (Delivered)
0.2W	100-277V	0.25W	22 lm	2.7 lm

Application

Environment	Dry / Damp / Wet Location approved. IP 68.
Drive Over Rating	9,700 lbs (4,400 kg)
Mounting	Recessed: Designed to be cast into concrete or inserted into paving stones with back box .

Electrical

Power Supplies	Remote LED drivers (120-277V AC input, constant voltage output): Fixtures to be wired in parallel.
Control	On/off control Dimming: 0-10V dimming with appropriate drivers Other options (consult factory): TRIAC/MLV, DMX, DALI, Casambi, Power over Ethernet

Luminaire Construction

LED Light Source	W22S = CCT: 2200K, CRI (Ra): 80+, Colour Consistency: 3SDCM W27H = CCT: 2700K, CRI (Ra): 90+, Colour Consistency: 3SDCM W30H = CCT: 3000K, CRI (Ra): 90+, Colour Consistency: 3SDCM W35H = CCT: 3500K, CRI (Ra): 90+, Colour Consistency: 3SDCM W41H = CCT: 4100K, CRI (Ra): 90+, Colour Consistency: 3SDCM
Standard Compliance	✓ADA-compliant ✓WELL standard – Feature 58: Color Quality
Weight	1.21 lbs (0.549 kg). Stainless Steel 316 Insert & Back Box only.
Material	Fixture: machined stainless steel (316) with tempered glass and threaded brass pipe.
Supplied with	Standard installation housing: Comes with or without an octagonal back box, a flange, an integral leveling device, a plastic cap, gel filled wire nuts, and silicone grease. Cable: 6" (152mm) factory-installed wire lead
Warranty & LED Life	5 years limited warranty Estimated useful life of LED is 50,000 hours.

Ordered Separately

System Components	Power supplies: remote driver Please consult factory or visit Recommended Drivers for available driver options.
-------------------	---

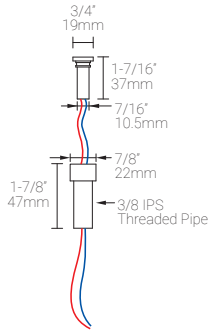
Mounting Options & Dimensions

LED Insert Dimensions

Fixture: LED Insert & Threaded Pipe

3D View: LED Insert

3D View: LED Insert & Threaded Pipe

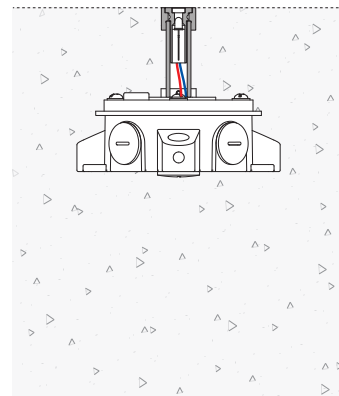
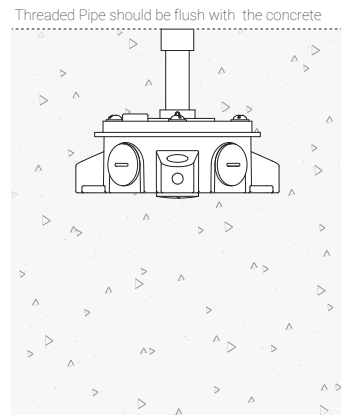
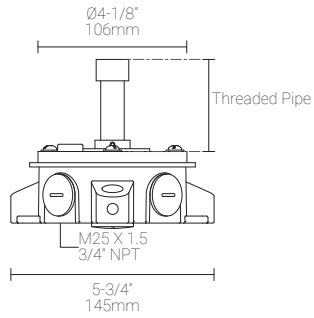


In-ground Installation (shown with MP Lighting Back Box | Order Code: **EBX-OCT1-A3S6**)

Box with Threaded Pipe

Box with Threaded Pipe:
During Concrete Installation

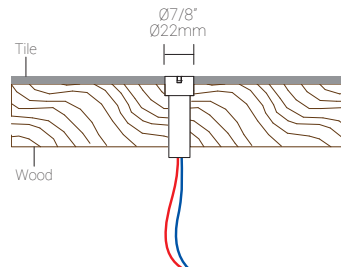
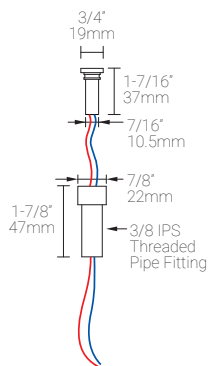
Box with Threaded Pipe:
Complete Concrete Installation



Wood Installation (shown without back box)

Fixture

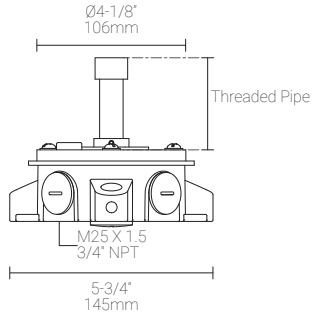
Fixture inserted into wood without
back box



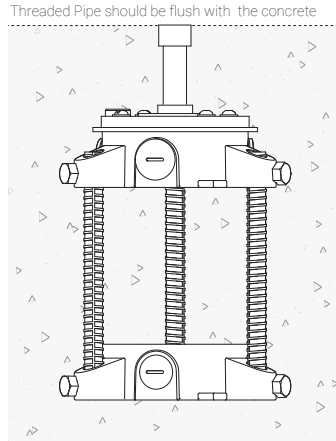
Mounting Kits

MK3: In-ground Installation (shown with MP Lighting Back Box | Order Code: **EBX-OCT1-A3S6**)

Back Box



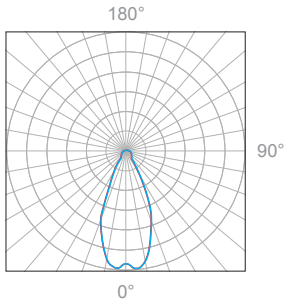
MK3 with Threaded Pipe and Back Box



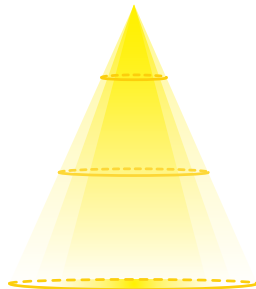
Rebar supplied by others.
Recommended size: Ø1/2"

0.2W, 2700K, 90+ CRI

Polar Candela Distribution



Beam Width: 45°



Illuminance at a Distance

Distance		Center Beam fc	Beam Width			
1.5ft	0.46m	1.90fc	1.2ft	0.37m	1.3ft	0.39m
3.0ft	0.91m	0.44fc	2.5ft	0.76m	2.5ft	0.30m
4.5ft	1.37m	0.20fc	3.7ft	1.13m	3.8ft	1.16m
6.0ft	1.83m	0.11fc	4.9ft	1.49m	5.0ft	1.52m
7.5ft	2.29m	0.07fc	6.2ft	1.89m	6.3ft	1.92m
9.0ft	2.74m	0.05fc	7.4ft	2.26m	7.5ft	2.29m

Delivered Lumen: 2.7lm
■ Vertical Beam Spread: 44.6°
■ Horizontal Beam Spread: 45.3°

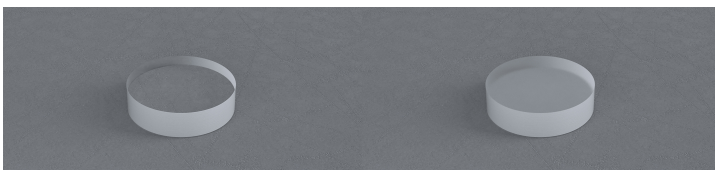
Appendix

Stainless Steel Finish



S6 stainless steel 316

Lens



C clear lens

F frosted