

L167

INTERIOR

Linear | For walls, ceilings, display cases & desks

● Dry location



Ordering Information

Clear Form

Date : _____

Quantity : _____

Project : _____

Note : _____

Type : _____

Specifications

Luminaire | Example Code: L167-MB-A-1-W30H-N-6-MA

Product	Mounting ¹	Version	Fixture Length ²	CCT & CRI ³	Beam Angle	Stem Length ⁴	Finish ⁵
L167		12					MA
	MB mounting bracket	12 12W/ft	1 1ft approx. Exact: 11-1/5" (287mm) * Minimum 2 2ft approx. Exact: 1' 11-1/5" (574mm) 3 3ft approx. Exact: 2' 9-7/8" (861mm) 4 4ft approx. Exact: 3' 9-1/3" (1148mm) 5 5ft approx. Exact: 4' 8-1/2" (1435mm) 6 6ft approx. Exact: 5' 7-13/16" (1722mm) * Maximum	W22S 2200K 80+ W27H 2700K 90+ W30H 3000K 90+ W35H 3500K 90+ W41H 4100K 90+	S spot 12° N narrow flood 30°	0 no stem 6 6" (152mm) 12 12" (305mm) X custom length	MA matte clear anodized
	Canopy Options: C1 C22						

System Components (Ordered Separately)

Remote Driver ⁶ : _____

Control System: _____

On/off control
Dimming: Reverse Phase (ELV), Forward Phase (TRIAC/MLV),
 0-10V, DMX, DALI, Casambi, Power over Ethernet

Important Notes

Specification

- Refer to pg.3 - Mounting Options & Dimensions for details.
- Minimum:** 1' (305mm) **Maximum:** 6' (1829mm), 1' (305mm) increments. Please see pg.3 - Dimension drawing for details.
- Minimum:** 6" (152mm) **Maximum:** 18" (458mm), 6" (152mm) increments
- Refer to pg.2 - for Light Quality & Colour Consistency details.
- Refer to Appendix or MP Lighting website for complete look of luminaire with different finish options.
- Consult [Recommended Driver](#) or factory.

Warranty Notes & Disclaimer

Malfunction and damage to product due to incompatible dimming system or misuse will not be covered under warranty. Consult MP Lighting for recommended drivers. If the fixture has an option to be installed with a dimming control system, consult a dimming system manufacturer with minimum load before installing. MP Lighting reserves the right, at its sole discretion, at any time and without notice, to make design changes to any of our products. Consult MP Lighting website for most updated documentation.

L167

INTERIOR

Linear | For walls, ceilings, display cases & desks

● Dry location



Performance

Wattage	Forward Current	Power Consumption Budget per fixture (including driver)	LED output (Source)	Fixture Output (Delivered)
12W/ft	500mA	14W/ft	1320 lm/ft	616-631 lm/ft

Application

Environment	Dry Location approved. IP 52.
Mounting	Mounts with stem and mounting bracket/canopy. Comes with 6' (1829mm) wire lead

Electrical

Power Supplies Remote LED drivers (120-277V AC input, **constant voltage output**): Fixtures to be wired in parallel.

Recommended (consult factory):

TLDAV100W24V04iB, 120-277V input, ELV dimming.
 TLDAV100W24V04iB, 120-277V input, 0-10V dimming.

Control

On/off control

Dimming: ELV or 0-10V dimming with appropriate drivers

Other options (consult factory): TRIAC/MLV, DMX, DALI, Casambi, Power over Ethernet

Luminaire Construction

LED Light Source	W22S = CCT: 2200K, CRI (Ra): 80+, Colour Consistency: 3SDCM W27H = CCT: 2700K, CRI (Ra): 90+, Colour Consistency: 2SDCM W30H = CCT: 3000K, CRI (Ra): 90+, Colour Consistency: 2SDCM W35H = CCT: 3500K, CRI (Ra): 90+, Colour Consistency: 2SDCM W41H = CCT: 4100K, CRI (Ra): 90+, Colour Consistency: 3SDCM
Standard Compliance	✓ADA-compliant ✓WELL standard – Feature 58: Color Quality
Weight	0.90 lbs (0.41 kg)/ft. Typical Aluminum Fixture.
Materials	Fixture: machined marine-grade aluminum with polycarbonate
Supplied with	Standard installation hardware: Comes with mounting bracket or mounting canopy Cable: 6' (1829mm) factory-installed wire lead
Warranty & LED Life	5 years limited warranty Estimated useful life of LED is 50,000 hours.

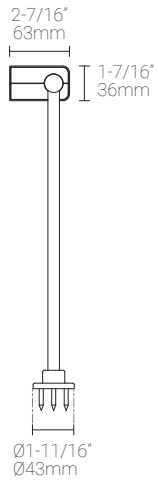
Ordered Separately

System Components	Power supplies: remote driver Please consult factory or visit Recommended Drivers for available driver options.
-------------------	---

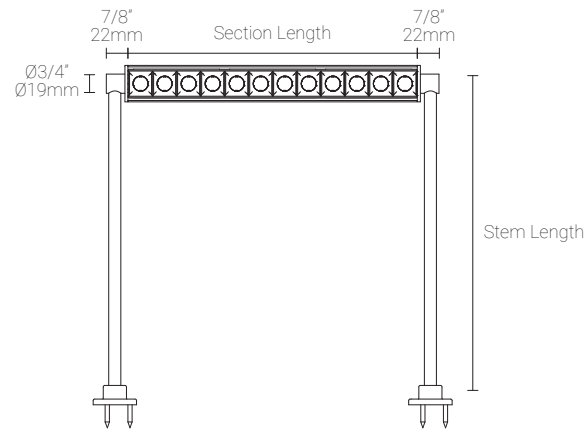
Mounting Options & Dimensions

LED Fixture Dimensions (shown with mounting bracket)

Fixture



Front View

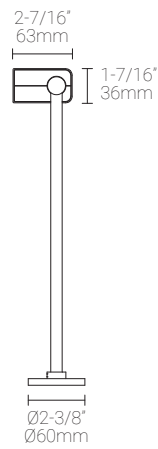


3D View

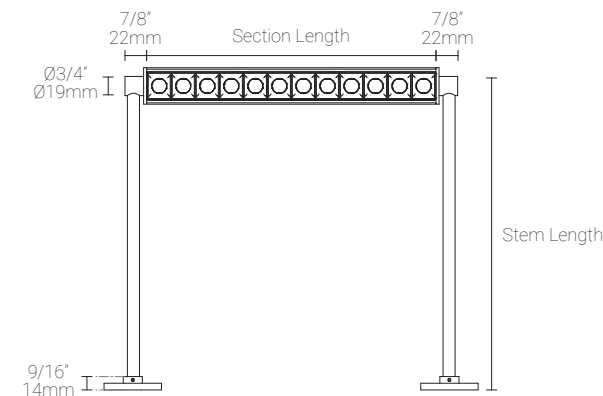


LED Fixture Dimensions (shown with C1)

Fixture



Front View

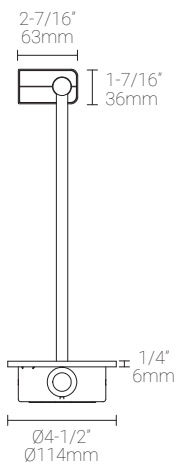


3D View

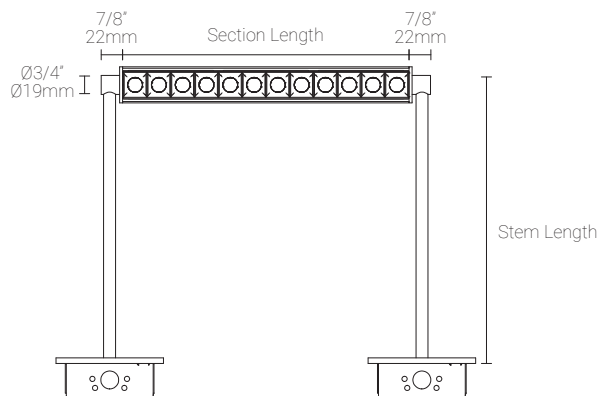


LED Fixture Dimensions (shown with C22)

Fixture



Front View

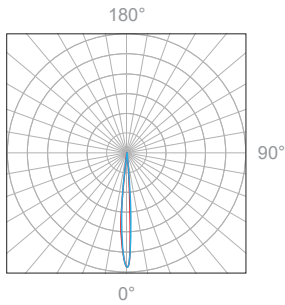


3D View

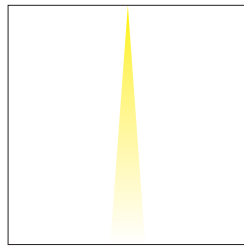


12W/ft, 3000K, 90+ CRI

Polar Candela Distribution



Beam Width: 12°

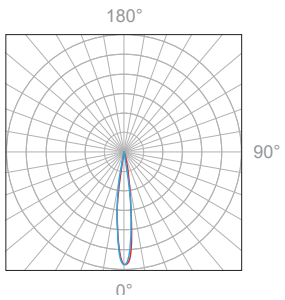


Illuminance at a Distance

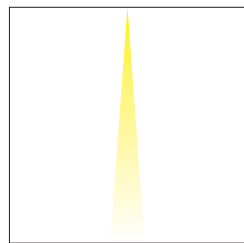
Distance		Center Beam fc	Beam Width			
1.5ft	0.46m	3665fc	0.3ft	0.09m	0.3ft	0.09m
3.0ft	0.91m	916fc	0.7ft	0.21m	0.7ft	0.21m
4.5ft	1.37m	407fc	1.0ft	0.30m	1.0ft	0.30m
6.0ft	1.83m	229fc	1.3ft	0.40m	1.3ft	0.40m
7.5ft	2.29m	147fc	1.6ft	0.49m	1.6ft	0.49m
9.0ft	2.74m	102fc	2.0ft	0.61m	2.0ft	0.61m

Delivered Lumen: 616lm
 ■ Vertical Beam Spread: 12.6°
 ■ Horizontal Beam Spread: 12.5°

Polar Candela Distribution



Beam Width: 30°



Illuminance at a Distance

Distance		Center Beam fc	Beam Width			
1.5ft	0.46m	771fc	0.8ft	0.24m	0.8ft	0.24m
3.0ft	0.91m	178fc	1.6ft	0.49m	1.6ft	0.49m
4.5ft	1.37m	79fc	2.5ft	0.76m	2.5ft	0.76m
6.0ft	1.83m	44.4fc	3.3ft	1.01m	3.3ft	1.01m
7.5ft	2.29m	28fc	4.2ft	1.28m	4.2ft	1.28m
9.0ft	2.74m	20fc	4.9ft	1.52m	4.9ft	1.52m

Delivered Lumen: 631lm
 ■ Vertical Beam Spread: 30.7°
 ■ Horizontal Beam Spread: 30.7°

Appendix



MA matte clear anodized shown with MB mounting bracket



MA matte clear anodized shown with C1 canopy



MA matte clear anodized shown with C22 canopy