

# L199S

## INTERIOR

Pendant | For ceilings

● Dry location



Shown with Cord

### Ordering Information

Clear Form

Date :	_____	Quantity :	_____
Project :	_____	Note :	_____
Type :	_____		_____

### Specifications

Luminaire | Example Code: L199S-C20-8-W30H-S-C72-MA

Product	Canopy <sup>1</sup>	Version	CCT & CRI <sup>2</sup>	Beam Angle <sup>3</sup>	Cord/Stem Length <sup>4</sup>	Finish <sup>5</sup>
<b>L199S</b>						
C1	1 1W	W22S	2200K 80+	S spot 12°	<b>Cord:</b>	<b>Aluminum Finishes:</b>
C3	2 2W	W27H	2700K 90+	N narrow flood 30°	C72 72" (1830mm)	MA matte clear anodized
C4		W30H	3000K 90+	F flood 45°	CX custom length	BA black anodized
C20		W35H	3500K 90+			
C22		W41H	4100K 90+		<b>Stem:</b>	
					S6 6" (152mm)	
					SX custom length	

### System Components (Ordered Separately)

Remote Driver : \_\_\_\_\_

\* Consult MP Lighting Website or Factory.

### Important Notes

#### Specification

- See pg.3-5 - for different canopy options and its dimensions.
- See pg.2 - for light quality and colour consistency details.
- Consult factory for custom Thin Spot (7°) beam angle.
- 72" (1830mm) cord or 6" (152mm) stem is included. Consult factory for custom cord/stem length.
- Refer to Appendix or MP Lighting website for complete look of luminaire with different finish options. Please consult factory for custom finish for shrouds.

#### Warranty Notes & Disclaimer

Malfunction and damage to product due to incompatible dimming system or misuse will not be covered under warranty. Consult MP Lighting for recommended drivers. If the fixture has an option to be installed with a dimming control system, consult a dimming system manufacturer with minimum load before installing. MP Lighting reserves the right, at its sole discretion, at any time and without notice, to make design changes to any of our products. Consult MP Lighting website for most updated documentation.

# L199S

## INTERIOR

Pendant | For ceilings

● Dry location



Shown with Cord

### Performance

Wattage	Forward Current	Power Consumption Budget per fixture (including driver)	LED output (Source)	Fixture Output (Delivered)
1W	350mA	1.2W	110 lm	65-75 lm
2W	700mA	2.9W	220 lm	129-149 lm

### Application

Environment	Dry Location approved. IP 20.
Mounting	<b>C1/C3/C4:</b> Mounts to a 4" octagonal box using the mounting canopy. <b>C20:</b> Recess mounts to a surface with coil spring clips. <b>C22:</b> Threaded to a 4" octagonal box with the adapter & bracket

### Electrical

Power Supplies	Remote LED drivers (120-277V AC input, <b>constant current output</b> ): Fixtures to be wired in series. Remote LED drivers (100-277V AC input, <b>constant voltage output</b> ): Fixtures to be wired in parallel.
Control	<b>On/off control</b> <b>Dimming:</b> ELV or 0-10V dimming with appropriate drivers <b>Other options (consult factory):</b> TRIAC/MLV, DMX, DALI, Casambi, Power over Ethernet

### Luminaire Construction

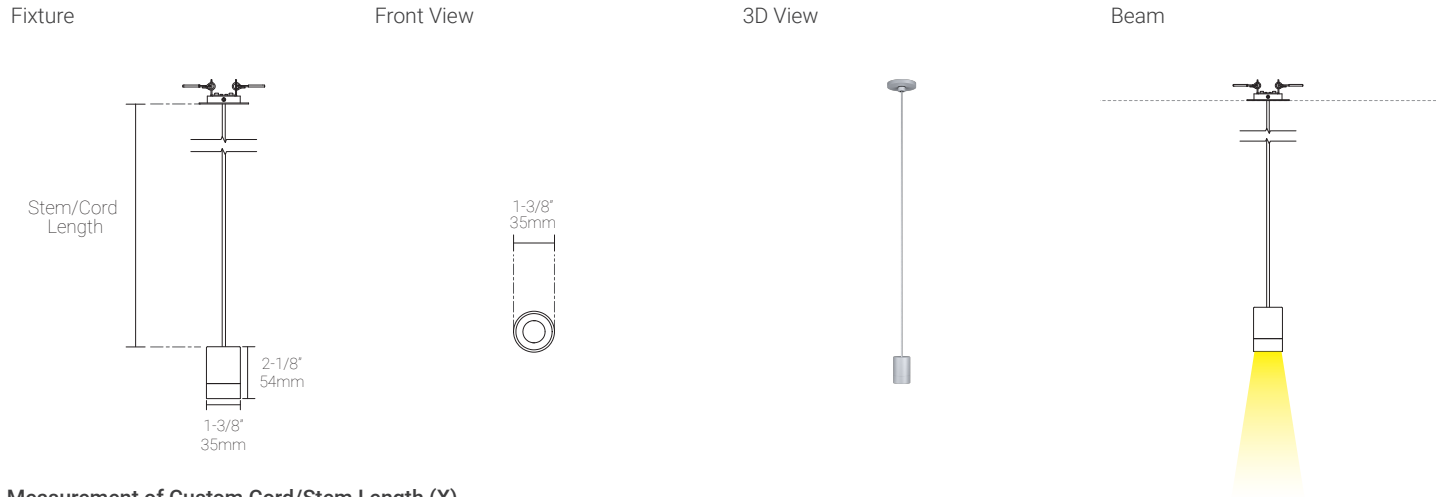
LED Light Source	<b>W27H</b> = CCT: 2700K, CRI (Ra): 90+, Colour Consistency: 3SDCM <b>W30H</b> = CCT: 3000K, CRI (Ra): 90+, Colour Consistency: 3SDCM
Standard Compliance	✓ WELL standard – Feature 58: Color Quality
Weight	N/A
Material	<b>Fixture:</b> machined marine-grade aluminum
Supplied with	<b>Standard installation housing:</b> Comes with a canopy, a universal crossbar, two screws (depending on selected canopy option), and an allen key. <b>Cord/stem:</b> 6' (1830mm) cord or 6" (152mm) stem is included. Consult factory for custom cord/stem length.
Warranty & LED Life	5 years limited warranty Estimated useful life of LED is 50,000 hours.

### Ordered Separately

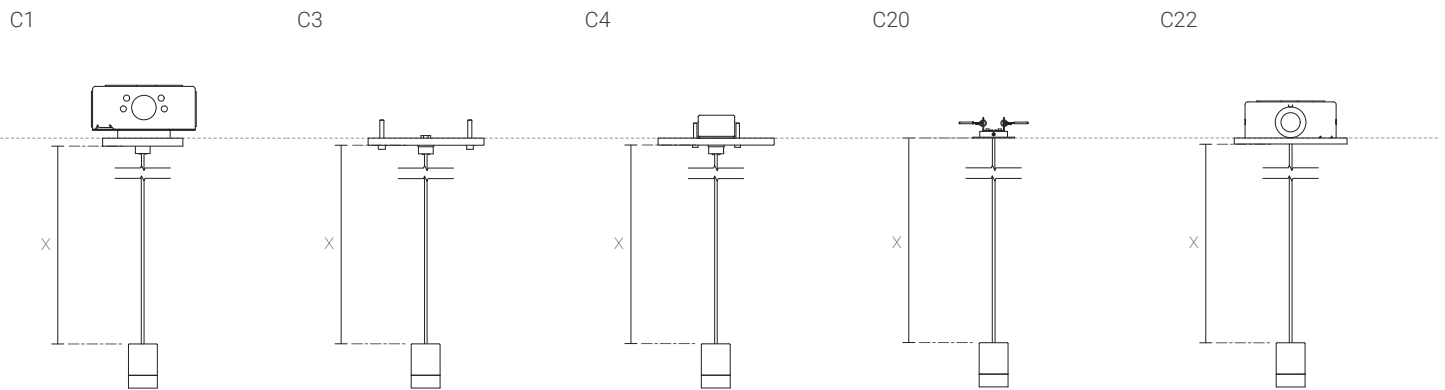
System Components	<b>Power supplies:</b> remote driver Please consult factory or visit <a href="#">Recommended Drivers</a> for available driver options.
-------------------	-------------------------------------------------------------------------------------------------------------------------------------------

Mounting Options & Dimensions

LED Fixture Dimensions (shown with C21 canopy)



Measurement of Custom Cord/Stem Length (X)



Appendix

Aluminum Finishes | shown with C1 canopy



Mounting Options & Dimensions

C1

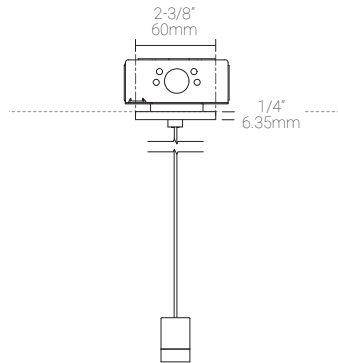
Canopy



Fixture with Canopy



Dimensions



C3

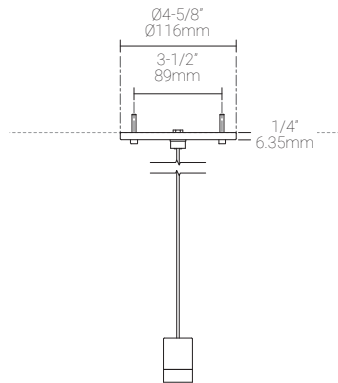
Canopy



Fixture with Canopy



Dimensions



C4

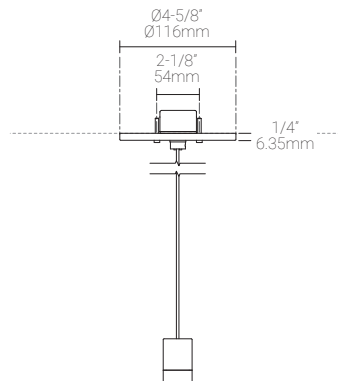
Canopy



Fixture with Canopy



Dimensions



Mounting Options & Dimensions

C20

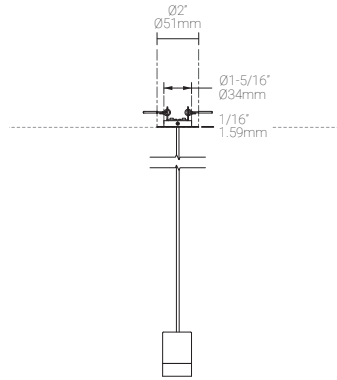
Canopy



Fixture with Canopy



Dimensions



C22

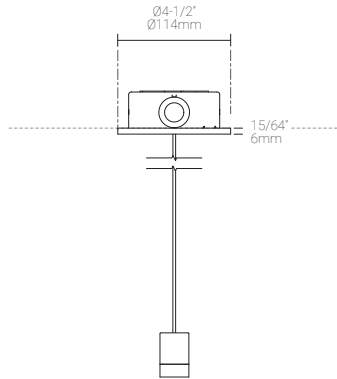
Canopy



Fixture with Canopy

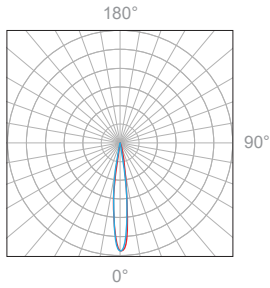


Dimensions



1W, 3000K, 90+ CRI

**Polar Candela Distribution**



**Beam Width: 12°**

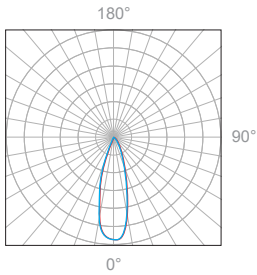


**Illuminance at a Distance**

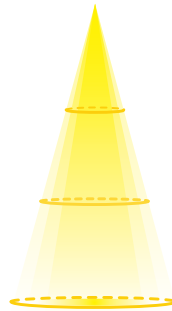
Distance		Center Beam fc	Beam Width			
3.0ft	0.91m	50.3fc	1.0ft	0.30m	1.0ft	0.30m
6.0ft	1.83m	12.6fc	2.1ft	0.64m	2.1ft	0.64m
9.0ft	2.74m	5.5fc	3.1ft	0.94m	3.1ft	0.94m
12.0ft	3.66m	3.1fc	4.1ft	1.25m	4.1ft	1.25m
15.0ft	4.57m	2.0fc	5.2ft	1.58m	5.2ft	1.58m
18.0ft	5.49m	1.4fc	6.2ft	1.89m	6.2ft	1.89m

Delivered Lumen: 65 lm  
 ■ Vertical Beam Spread: 19.5°  
 ■ Horizontal Beam Spread: 19.5°

**Polar Candela Distribution**



**Beam Width: 30°**

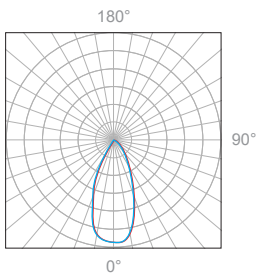


**Illuminance at a Distance**

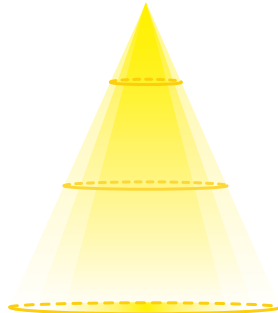
Distance		Center Beam fc	Beam Width			
3.0ft	0.91m	35fc	1.4ft	0.43m	1.4ft	0.43m
6.0ft	1.83m	8.7fc	2.9ft	0.88m	2.9ft	0.88m
9.0ft	2.74m	3.9fc	4.3ft	1.31m	4.3ft	1.31m
12.0ft	3.66m	2.1fc	5.7ft	1.74m	5.7ft	1.74m
15.0ft	4.57m	1.4fc	7.2ft	2.19m	7.2ft	2.19m
18.0ft	5.49m	0.9fc	8.6ft	2.62m	8.6ft	2.62m

Delivered Lumen: 75 lm  
 ■ Vertical Beam Spread: 28.5°  
 ■ Horizontal Beam Spread: 28.7°

**Polar Candela Distribution**



**Beam Width: 45°**



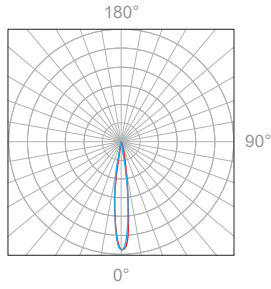
**Illuminance at a Distance**

Distance		Center Beam fc	Beam Width			
3.0ft	0.91m	13.8fc	2.5ft	0.76m	2.6ft	0.79m
6.0ft	1.83m	3.44fc	5.0ft	1.52m	5.1ft	1.55m
9.0ft	2.74m	1.53fc	7.5ft	2.28m	7.7ft	2.34m
12.0ft	3.66m	0.86fc	10.0ft	3.04m	10.3ft	3.14m
15.0ft	4.57m	0.55fc	12.5ft	3.81m	12.8ft	3.90m
18.0ft	5.49m	0.38fc	15.0ft	4.52m	15.4ft	4.69m

Delivered Lumen: 83.1 lm  
 ■ Vertical Beam Spread: 45.1°  
 ■ Horizontal Beam Spread: 46.3°

2W, 3000K, 90+ CRI

Polar Candela Distribution



Beam Width: 12°

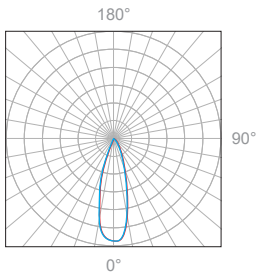


Illuminance at a Distance

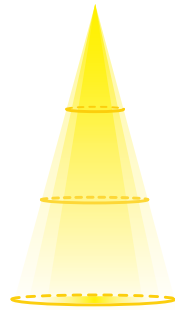
Distance		Center Beam fc	Beam Width			
3.0ft	0.91m	103fc	1.0ft	0.30m	1.0ft	0.30m
6.0ft	1.83m	25.9fc	2.0ft	0.60m	2.0ft	0.60m
9.0ft	2.74m	11.5fc	3.0ft	0.91m	3.0ft	0.91m
12.0ft	3.66m	6.47fc	4.0ft	1.22m	4.0ft	1.22m
15.0ft	4.57m	4.14fc	5.0ft	1.52m	5.0ft	1.52m
18.0ft	5.49m	1.87fc	6.0ft	1.83m	6.0ft	1.83m

Delivered Lumen: 129 lm  
 ■ Vertical Beam Spread: 19°  
 ■ Horizontal Beam Spread: 19°

Polar Candela Distribution



Beam Width: 30°

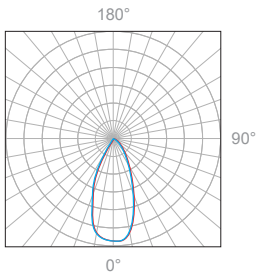


Illuminance at a Distance

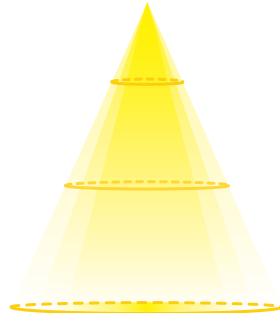
Distance		Center Beam fc	Beam Width			
3.0ft	0.91m	69.5fc	1.5ft	0.46m	1.5ft	0.46m
6.0ft	1.83m	17.4fc	3.0ft	0.91m	3.0ft	0.91m
9.0ft	2.74m	7.73fc	4.5ft	1.37m	4.5ft	1.37m
12.0ft	3.66m	4.35fc	6.0ft	1.83m	6.0ft	1.83m
15.0ft	4.57m	2.78fc	7.6ft	2.32m	7.6ft	2.32m
18.0ft	5.49m	1.93fc	9.1ft	2.77m	9.1ft	2.77m

Delivered Lumen: 149 lm  
 ■ Vertical Beam Spread: 28.3°  
 ■ Horizontal Beam Spread: 28.3°

Polar Candela Distribution



Beam Width: 45°



Illuminance at a Distance

Distance		Center Beam fc	Beam Width			
3.0ft	0.91m	24.7fc	2.5ft	0.76m	2.6ft	0.79m
6.0ft	1.83m	6.16fc	5.0ft	1.52m	5.2ft	1.58m
9.0ft	2.74m	2.74fc	7.5ft	2.28m	7.8ft	2.37m
12.0ft	3.66m	1.54fc	10.0ft	3.04m	10.4ft	3.17m
15.0ft	4.57m	0.99fc	12.5ft	3.81m	13.0ft	3.96m
18.0ft	5.49m	0.68fc	15.0ft	4.52m	15.6ft	4.75m

Delivered Lumen: 149.8 lm  
 ■ Vertical Beam Spread: 45.2°  
 ■ Horizontal Beam Spread: 46.7°