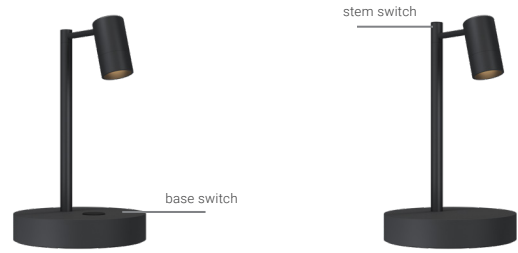


L208

INTERIOR
Desk Light

● Dry location



Ordering Information

Clear Form

Date : _____

Quantity : _____

Project : _____

Note : _____

Type : _____

Specifications

Luminaire | Example Code: L208-S-2-W30H-N-B-9-A-BA

Product	Size	Wattage	CCT & CRI	Beam Angle	Switch Position	Stem Length 1 ¹	Stem Length 2 ²	Finish ³
L208	S	2						
	S small	2 2W	W22S 2200K 80+ W27H 2700K 90+ W30H 3000K 90+ W35H 3500K 90+ W41H 3000K 90+	S spot 12° N narrow flood 30° F flood 45°	S stem switch B base switch	9 9.25" (235mm) X custom length	A 0.5" (51mm) X custom length	Aluminum Finishes: BA black anodized

System Components (Ordered Separately)

Remote Driver : _____

* Consult MP Lighting Website or Factory.

Important Notes

Specification

1. Stem 1 – Maximum Length: 12" (304.8mm), available in 1"(25mm) increments.
2. Stem 2 – Maximum Length: 6" (152.4mm), available in 1"(25mm) increments
3. Refer to Appendix or MP Lighting website for complete look of luminaire with different finish options. Please consult factory for custom finish for shrouds.

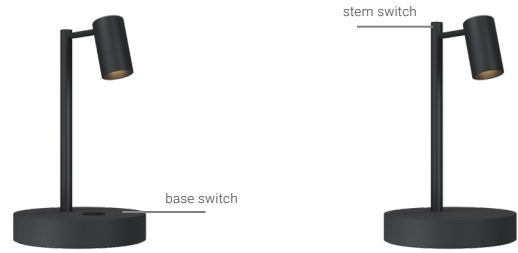
Warranty Notes & Disclaimer

Malfunction and damage to product due to incompatible dimming system or misuse will not be covered under warranty. Consult MP Lighting for recommended drivers. If the fixture has an option to be installed with a dimming control system, consult a dimming system manufacturer with minimum load before installing. MP Lighting reserves the right, at its sole discretion, at any time and without notice, to make design changes to any of our products. Consult MP Lighting website for most updated documentation.

L208S

INTERIOR
Desk Light

● Dry location



Performance

Wattage	Forward Current	Power Consumption Budget per fixture (including driver)	LED output (Source)	Fixture Output (Delivered)
2W	208mA	2.7W	220 lm	134-154 lm

Application

Environment	Dry Location approved. IP 20.
Mounting	Surface-mount: Mounts to surface.

Electrical

Power Supplies	Powered by a plug-in driver (included).
Control	On/off control Dimming: ELV or 0-10V dimming with appropriate drivers Other options (consult factory): TRIAC/MLV, DMX, DALI, Casambi, Power over Ethernet

Luminaire Construction

LED Light Source	W22S = CCT: 2200K, CRI (Ra): 80+, Colour Consistency: 3SDCM W27H = CCT: 2700K, CRI (Ra): 90+, Colour Consistency: 2SDCM W30H = CCT: 3000K, CRI (Ra): 90+, Colour Consistency: 2SDCM W35H = CCT: 3500K, CRI (Ra): 90+, Colour Consistency: 2SDCM W41H = CCT: 4100K, CRI (Ra): 90+, Colour Consistency: 3SDCM
Weight	N/A
Material	Fixture: machined marine-grade aluminum
Supplied with	Standard installation housing:
Warranty & LED Life	5 years limited warranty Estimated useful life of LED is 50,000 hours.

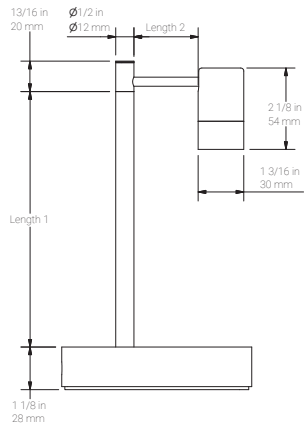
Ordered Separately

System Components	Power supplies: remote driver Please consult factory or visit Recommended Drivers for available driver options.
-------------------	---

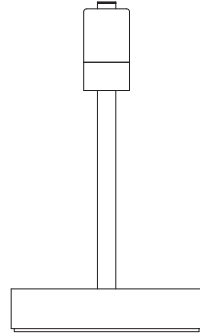
Mounting Options & Dimensions

LED Fixture Dimensions | with Stem Switch

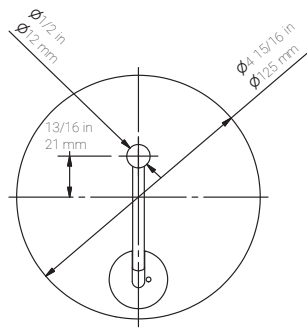
Fixture



Front View



Front View

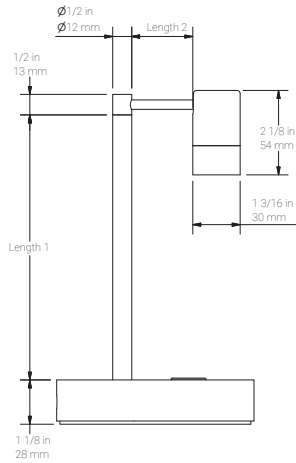


3D View

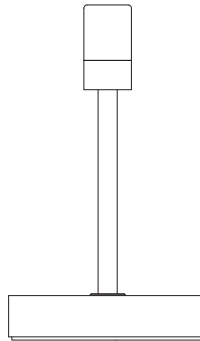


LED Fixture Dimensions | with Base Switch

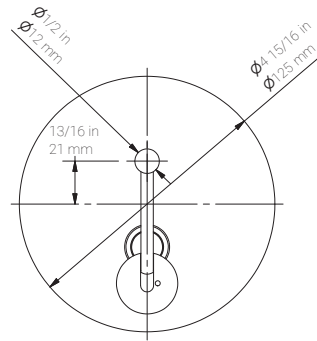
Fixture



Front View



Top View



3D View



Appendix

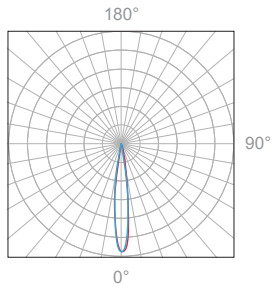
Aluminum Finishes



BA black anodized

2W, 3000K, 90+ CRI

Polar Candela Distribution



Beam Width: 12°

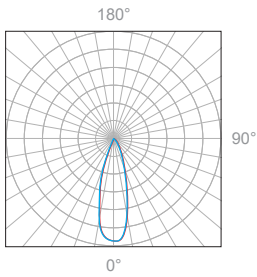


Illuminance at a Distance

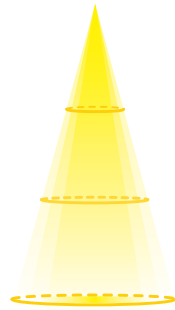
Distance		Center Beam fc	Beam Width			
0.33ft	0.10m	7899fc	0.11ft	0.03m	0.11ft	0.03m
0.67ft	0.20m	1916fc	0.22ft	0.06m	0.22ft	0.06m
1.00ft	0.30m	860fc	0.33ft	0.10m	0.33ft	0.10m
1.33ft	0.40m	486fc	0.44ft	0.13m	0.44ft	0.13m
1.67ft	0.50m	308fc	0.56ft	0.17m	0.55ft	0.16m
2.00ft	0.60m	215fc	0.67ft	0.20m	0.66ft	0.20m

Delivered Lumen: 144.2 lm
 ■ Vertical Beam Spread: 18.9°
 ■ Horizontal Beam Spread: 18.7°

Polar Candela Distribution



Beam Width: 30°

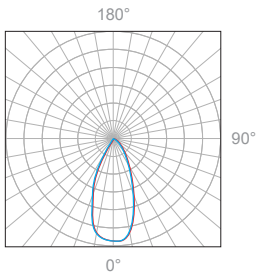


Illuminance at a Distance

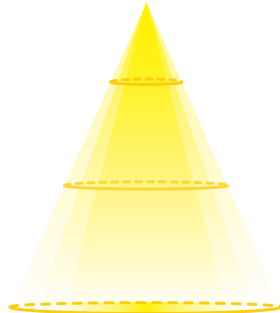
Distance		Center Beam fc	Beam Width			
0.33ft	0.10m	6481fc	0.14ft	0.04m	0.15ft	0.04m
0.67ft	0.20m	1572fc	0.29ft	0.08m	0.31ft	0.09m
1.00ft	0.30m	706fc	0.44ft	0.13m	0.46ft	0.14m
1.33ft	0.40m	399fc	0.58ft	0.17m	0.61ft	0.18m
1.67ft	0.50m	253fc	0.73ft	0.22m	0.76ft	0.23m
2.00ft	0.60m	176fc	0.88ft	0.26m	0.91ft	0.27m

Delivered Lumen: 154.1 lm
 ■ Vertical Beam Spread: 24.7°
 ■ Horizontal Beam Spread: 25.7°

Polar Candela Distribution



Beam Width: 45°



Illuminance at a Distance

Distance		Center Beam fc	Beam Width			
0.33ft	0.10m	1978fc	0.28ft	0.08m	0.27ft	0.08m
0.67ft	0.20m	480fc	0.57ft	0.17m	0.55ft	0.16m
1.00ft	0.30m	215fc	0.85ft	0.26m	0.83ft	0.25m
1.33ft	0.40m	122fc	1.13ft	0.34m	1.10ft	0.33m
1.67ft	0.50m	77.3fc	1.42ft	0.43m	1.38ft	0.42m
2.00ft	0.60m	53.9fc	1.70ft	0.51m	1.66ft	0.50m

Delivered Lumen: 134.6 lm
 ■ Vertical Beam Spread: 46.2°
 ■ Horizontal Beam Spread: 45.0°