

L227S

INTERIOR

Spotlight | For desk

● Dry location



Ordering Information

Clear Form

Date : _____

Quantity : _____

Project : _____

Note : _____

Type : _____

Specifications

Luminaire | Example Code: L227-C20-S-4-W30H-9-A-MA

Product	Canopy	Size	Version	CCT & CRI	Beam Angle	Stem Length 1 ¹	Stem Length 2 ²	Finish ³
L227	C20	S						
	C20	s small	1 1W 2 2W	W22S 2200K 80+ W27H 2700K 90+ W30H 3000K 90+ W35H 3500K 90+ W41H 3000K 90+	S spot 12° N narrow flood 30° F flood 45°	9 9.25" (235mm) X custom length	A 2" (51mm) X custom length	Aluminum Finishes: MA matte clear anodized BA black anodized WH white powder coated

System Components (Ordered Separately)

Remote Driver : _____

* Consult MP Lighting Website or Factory.

Important Notes

Specification

1. Stem 1 – Maximum Length: 12" (304.8mm), available in 1"(25mm) increments.
2. Stem 2 – Maximum Length: 6" (152.4mm), available in 1"(25mm) increments
3. Refer to Appendix or MP Lighting website for complete look of luminaire with different finish options. Please consult factory for custom finish for shrouds.

Warranty Notes & Disclaimer

Malfunction and damage to product due to incompatible dimming system or misuse will not be covered under warranty. Consult MP Lighting for recommended drivers. If the fixture has an option to be installed with a dimming control system, consult a dimming system manufacturer with minimum load before installing. MP Lighting reserves the right, at its sole discretion, at any time and without notice, to make design changes to any of our products. Consult MP Lighting website for most updated documentation.

L227S

INTERIOR

Spotlight | For desk

● Dry location



Performance

Wattage	Forward Current	Power Consumption Budget per fixture (including driver)	LED output (Source)	Fixture Output (Delivered)
1W	350mA	1.2W	110lm	65-75lm
2W	700mA	2.7W	220lm	129-149lm

Application

Environment	Dry Location approved. IP 20.
Mounting	Surface-mount: Mounts to surface with coil spring clips. Cut-out size: Ø1-1/2" (Ø38mm) and 3/8"(10mm) minimum depth. * See L227W-S for a picture light option.

Electrical

Power Supplies	Remote LED drivers (120-277V AC input, constant current output): Fixtures to be wired in series.
Control	On/off control Dimming: ELV or 0-10V dimming with appropriate drivers Other options (consult factory): TRIAC/MLV, DMX, DALI, Casambi, Power over Ethernet

Luminaire Construction

LED Light Source	W22S = CCT: 2200K, CRI (Ra): 80+, Colour Consistency: 3SDCM W27H = CCT: 2700K, CRI (Ra): 90+, Colour Consistency: 2SDCM W30H = CCT: 3000K, CRI (Ra): 90+, Colour Consistency: 2SDCM W35H = CCT: 3500K, CRI (Ra): 90+, Colour Consistency: 2SDCM W41H = CCT: 4100K, CRI (Ra): 90+, Colour Consistency: 3SDCM
Weight	N/A
Material	Fixture: machined marine-grade aluminum
Supplied with	Standard installation housing: Comes with a canopy with coil spring clip and wire connectors x 2
Warranty & LED Life	5 years limited warranty Estimated useful life of LED is 50,000 hours.

Ordered Separately

System Components	Power supplies: remote driver Please consult factory or visit Recommended Drivers for available driver options.
-------------------	---

Mounting Options & Dimensions

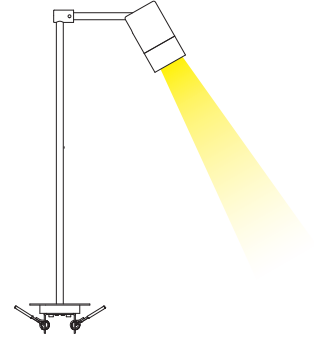
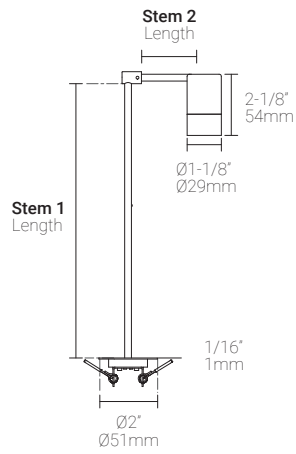
LED Fixture Dimensions (shown with C20 canopy)

Fixture

Front View

3D View

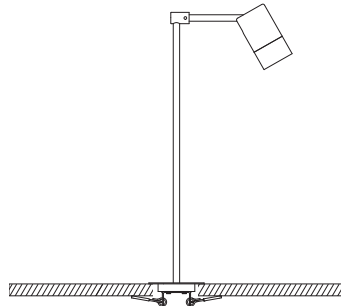
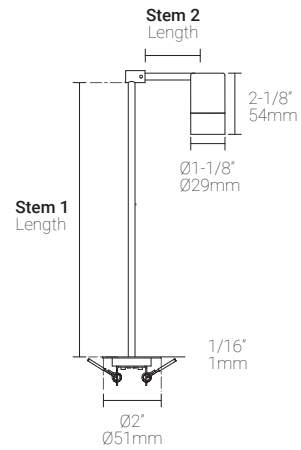
Beam



Surface-mount Installation (shown with C20 canopy)

Fixture

Fixture installed to surface with coil spring clips



Appendix

Aluminum Finishes



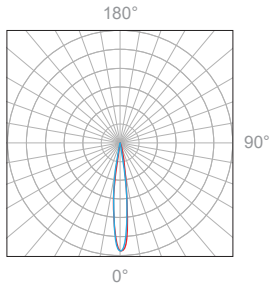
MA matte clear anodized



BA black anodized

1W, 3000K, 90+ CRI

Polar Candela Distribution



Beam Width: 12°

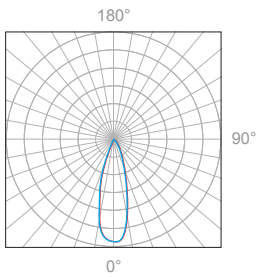


Illuminance at a Distance

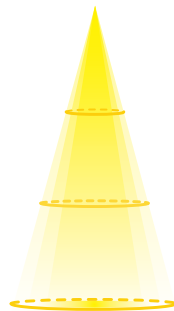
Distance		Center Beam fc	Beam Width			
3.0ft	0.91m	50.3fc	1.0ft	0.30m	1.0ft	0.30m
6.0ft	1.83m	12.6fc	2.1ft	0.64m	2.1ft	0.64m
9.0ft	2.74m	5.5fc	3.1ft	0.94m	3.1ft	0.94m
12.0ft	3.66m	3.1fc	4.1ft	1.25m	4.1ft	1.25m
15.0ft	4.57m	2.0fc	5.2ft	1.58m	5.2ft	1.58m
18.0ft	5.49m	1.4fc	6.2ft	1.89m	6.2ft	1.89m

Delivered Lumen: 65 lm
 ■ Vertical Beam Spread: 19.5°
 ■ Horizontal Beam Spread: 19.5°

Polar Candela Distribution



Beam Width: 30°

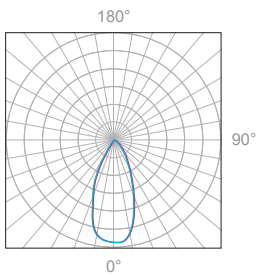


Illuminance at a Distance

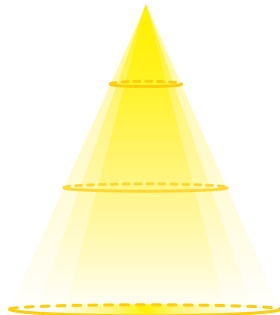
Distance		Center Beam fc	Beam Width			
3.0ft	0.91m	35fc	1.4ft	0.43m	1.4ft	0.43m
6.0ft	1.83m	8.7fc	2.9ft	0.88m	2.9ft	0.88m
9.0ft	2.74m	3.9fc	4.3ft	1.31m	4.3ft	1.31m
12.0ft	3.66m	2.1fc	5.7ft	1.74m	5.7ft	1.74m
15.0ft	4.57m	1.4fc	7.2ft	2.19m	7.2ft	2.19m
18.0ft	5.49m	0.9fc	8.6ft	2.62m	8.6ft	2.62m

Delivered Lumen: 75 lm
 ■ Vertical Beam Spread: 28.5°
 ■ Horizontal Beam Spread: 28.7°

Polar Candela Distribution



Beam Width: 45°



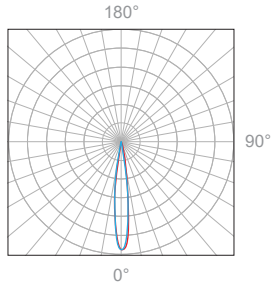
Illuminance at a Distance

Distance		Center Beam fc	Beam Width			
3.0ft	0.91m	13.8fc	2.5ft	0.76m	2.6ft	0.79m
6.0ft	1.83m	3.44fc	5.0ft	1.52m	5.1ft	1.55m
9.0ft	2.74m	1.53fc	7.5ft	2.28m	7.7ft	2.34m
12.0ft	3.66m	0.86fc	10.0ft	3.04m	10.3ft	3.14m
15.0ft	4.57m	0.55fc	12.5ft	3.81m	12.8ft	3.90m
18.0ft	5.49m	0.38fc	15.0ft	4.52m	15.4ft	4.69m

Delivered Lumen: 83.1 lm
 ■ Vertical Beam Spread: 45.1°
 ■ Horizontal Beam Spread: 46.3°

2W, 3000K, 90+ CRI

Polar Candela Distribution



Beam Width: 12°

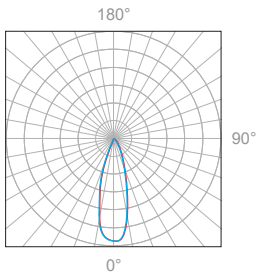


Illuminance at a Distance

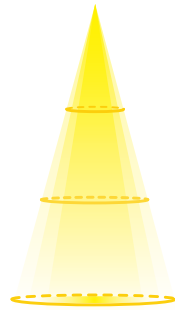
Distance		Center Beam fc	Beam Width			
3.0ft	0.91m	103fc	1.0ft	0.30m	1.0ft	0.30m
6.0ft	1.83m	25.9fc	2.0ft	0.60m	2.0ft	0.60m
9.0ft	2.74m	11.5fc	3.0ft	0.91m	3.0ft	0.91m
12.0ft	3.66m	6.47fc	4.0ft	1.22m	4.0ft	1.22m
15.0ft	4.57m	4.14fc	5.0ft	1.52m	5.0ft	1.52m
18.0ft	5.49m	1.87fc	6.0ft	1.83m	6.0ft <td 1.83m	

Delivered Lumen: 129 lm
 ■ Vertical Beam Spread: 19°
 ■ Horizontal Beam Spread: 19°

Polar Candela Distribution



Beam Width: 30°

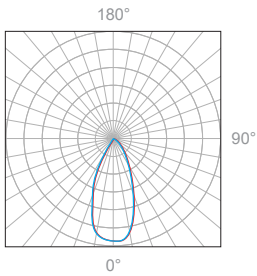


Illuminance at a Distance

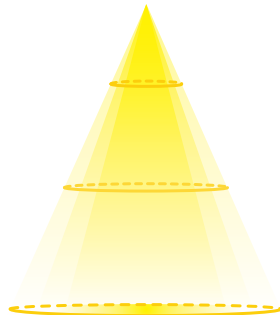
Distance		Center Beam fc	Beam Width			
3.0ft	0.91m	69.5fc	1.5ft	0.46m	1.5ft	0.46m
6.0ft	1.83m	17.4fc	3.0ft	0.91m	3.0ft	0.91m
9.0ft	2.74m	7.73fc	4.5ft	1.37m	4.5ft	1.37m
12.0ft	3.66m	4.35fc	6.0ft	1.83m	6.0ft	1.83m
15.0ft	4.57m	2.78fc	7.6ft	2.32m	7.6ft	2.32m
18.0ft	5.49m	1.93fc	9.1ft	2.77m	9.1ft	2.77m

Delivered Lumen: 149 lm
 ■ Vertical Beam Spread: 28.3°
 ■ Horizontal Beam Spread: 28.3°

Polar Candela Distribution



Beam Width: 45°



Illuminance at a Distance

Distance		Center Beam fc	Beam Width			
3.0ft	0.91m	24.7fc	2.5ft	0.76m	2.6ft	0.79m
6.0ft	1.83m	6.16fc	5.0ft	1.52m	5.2ft	1.58m
9.0ft	2.74m	2.74fc	7.5ft	2.28m	7.8ft	2.37m
12.0ft	3.66m	1.54fc	10.0ft	3.04m	10.4ft	3.17m
15.0ft	4.57m	0.99fc	12.5ft	3.81m	13.0ft	3.96m
18.0ft	5.49m	0.68fc	15.0ft	4.52m	15.6ft	4.75m

Delivered Lumen: 149.8 lm
 ■ Vertical Beam Spread: 45.2°
 ■ Horizontal Beam Spread: 46.7°