



# L227W-S

## INTERIOR

Spotlight | For wall, picture or signage

● Dry location



### Ordering Information

Clear Form

Date : \_\_\_\_\_

Quantity : \_\_\_\_\_

Project : \_\_\_\_\_

Note : \_\_\_\_\_

Type : \_\_\_\_\_

### Specifications

Luminaire | Example Code: L227-WK-S-4-W30H-S-6-6-A-MA

Product	Canopy	Size	Version	CCT & CRI	Beam Angle	Stem Length 1 <sup>1</sup>	Stem Length 2 <sup>2</sup>	Stem Length 3 <sup>3</sup>	Finish <sup>4</sup>
L227	WK	S							
	WK	S small	1 1W 2 2W	W22S 2200K 80+ W27H 2700K 90+ W30H 3000K 90+ W35H 3500K 90+ W41H 3000K 90+	S spot 12° N narrow flood 30° F flood 45°	6 6" (152mm) X custom length	6 6" (152mm) X custom length	A 2" (51mm) X custom length	<b>Aluminum Finishes:</b> MA matte clear anodized BA black anodized WH white powder coat

### System Components (Ordered Separately)

Remote Driver : \_\_\_\_\_

\* Consult MP Lighting Website or Factory.

### Important Notes

#### Specification

1. Stem 1 – Maximum Length: 12" (304.8mm), available in 1"(25mm) increments.
2. Stem 2 – Maximum Length: 6" (152.4mm), available in 1"(25mm) increments.
3. Stem 3 – Maximum Length: 6" (152.4mm), available in 1"(25mm) increments.
4. Refer to Appendix or MP Lighting website for complete look of luminaire with different finish options. Please consult factory for custom finish for shrouds.

#### Warranty Notes & Disclaimer

Malfunction and damage to product due to incompatible dimming system or misuse will not be covered under warranty. Consult MP Lighting for recommended drivers. If the fixture has an option to be installed with a dimming control system, consult a dimming system manufacturer with minimum load before installing. MP Lighting reserves the right, at its sole discretion, at any time and without notice, to make design changes to any of our products. Consult MP Lighting website for most updated documentation.



# L227W-S

## INTERIOR

Spotlight | For wall, picture or signage

● Dry location



### Performance

Wattage	Forward Current	Power Consumption Budget per fixture (including driver)	LED output (Source)	Fixture Output (Delivered)
1W	350mA	1.2W	110 lm	65-75 lm
2W	350mA	2.7W	220 lm	129-149 lm

### Application

Environment	Dry Location approved. IP 20.
Mounting	Surface-mount: Retrofit to existing standard octagonal box using a mounting plate. * See L227S for a desk-mount light option.

### Electrical

Power Supplies	Remote LED drivers (120-277V AC input, <b>constant current output</b> ): Fixtures to be wired in series. Remote LED drivers (100-277V AC input, <b>constant voltage output</b> ): Fixtures to be wired in parallel.
Control	<b>On/off control</b> <b>Dimming:</b> ELV or 0-10V dimming with appropriate drivers <b>Other options (consult factory):</b> TRIAC/MLV, DMX, DALI, Casambi, Power over Ethernet

### Luminaire Construction

LED Light Source	<b>W22S</b> = CCT: 2200K, CRI (Ra): 80+, Colour Consistency: 3SDCM <b>W27H</b> = CCT: 2700K, CRI (Ra): 90+, Colour Consistency: 2SDCM <b>W30H</b> = CCT: 3000K, CRI (Ra): 90+, Colour Consistency: 2SDCM <b>W35H</b> = CCT: 3500K, CRI (Ra): 90+, Colour Consistency: 2SDCM <b>W41H</b> = CCT: 4100K, CRI (Ra): 90+, Colour Consistency: 3SDCM
Weight	N/A
Material	<b>Fixture:</b> machined marine-grade aluminum
Supplied with	<b>Standard installation housing:</b> Comes with a mounting plate, cover plate, mounting screws x 2, fixing screws x2, and wire connectors x2
Warranty & LED Life	5 years limited warranty Estimated useful life of LED is 50,000 hours.

### Ordered Separately

System Components	<b>Power supplies:</b> remote driver Please consult factory or visit <a href="#">Recommended Drivers</a> for available driver options.
-------------------	---

## Mounting Options & Dimensions

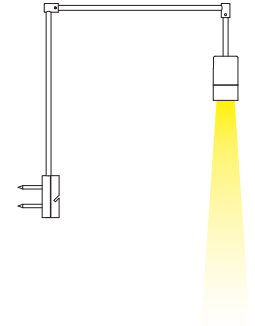
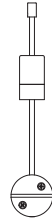
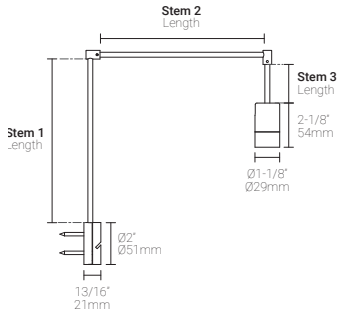
### LED Fixture Dimensions (shown with WK canopy)

Fixture

Front View

3D View

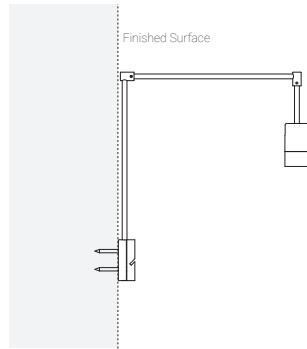
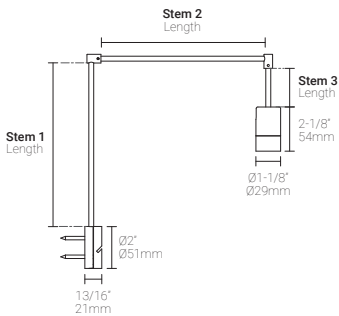
Beam



### Surface-mount Installation (shown with WK canopy)

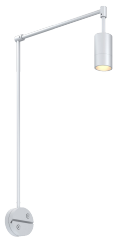
Fixture

Fixture installed to surface with:  
mounting plate, mounting screws,  
cover plate and fixing screws



## Appendix

### Aluminum Finishes



MA matte clear anodized



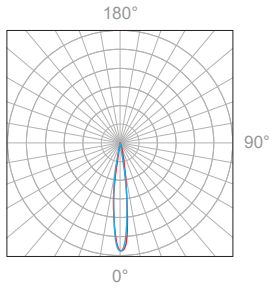
BA black anodized



WH white powder coat

1W, 3000K, 90+ CRI

**Polar Candela Distribution**



**Beam Width: 12°**

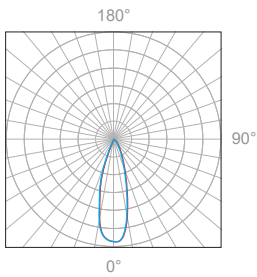


**Illuminance at a Distance**

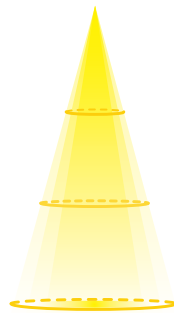
Distance		Center Beam fc	Beam Width			
3.0ft	0.91m	50.3fc	1.0ft	0.30m	1.0ft	0.30m
6.0ft	1.83m	12.6fc	2.1ft	0.64m	2.1ft	0.64m
9.0ft	2.74m	5.5fc	3.1ft	0.94m	3.1ft	0.94m
12.0ft	3.66m	3.1fc	4.1ft	1.25m	4.1ft	1.25m
15.0ft	4.57m	2.0fc	5.2ft	1.58m	5.2ft	1.58m
18.0ft	5.49m	1.4fc	6.2ft	1.89m	6.2ft	1.89m

Delivered Lumen: 65 lm  
 ■ Vertical Beam Spread: 19.5°  
 ■ Horizontal Beam Spread: 19.5°

**Polar Candela Distribution**



**Beam Width: 30°**

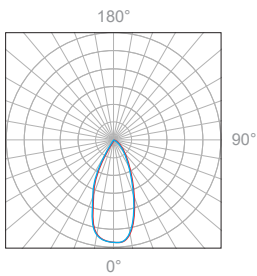


**Illuminance at a Distance**

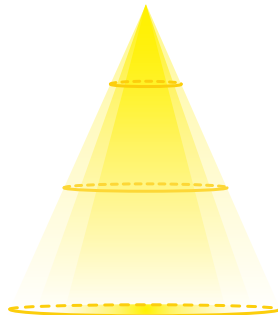
Distance		Center Beam fc	Beam Width			
3.0ft	0.91m	35fc	1.4ft	0.43m	1.4ft	0.43m
6.0ft	1.83m	8.7fc	2.9ft	0.88m	2.9ft	0.88m
9.0ft	2.74m	3.9fc	4.3ft	1.31m	4.3ft	1.31m
12.0ft	3.66m	2.1fc	5.7ft	1.74m	5.7ft	1.74m
15.0ft	4.57m	1.4fc	7.2ft	2.19m	7.2ft	2.19m
18.0ft	5.49m	0.9fc	8.6ft	2.62m	8.6ft	2.62m

Delivered Lumen: 75 lm  
 ■ Vertical Beam Spread: 28.5°  
 ■ Horizontal Beam Spread: 28.7°

**Polar Candela Distribution**



**Beam Width: 45°**



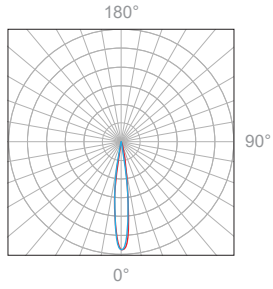
**Illuminance at a Distance**

Distance		Center Beam fc	Beam Width			
3.0ft	0.91m	13.8fc	2.5ft	0.76m	2.6ft	0.79m
6.0ft	1.83m	3.44fc	5.0ft	1.52m	5.1ft	1.55m
9.0ft	2.74m	1.53fc	7.5ft	2.28m	7.7ft	2.34m
12.0ft	3.66m	0.86fc	10.0ft	3.04m	10.3ft	3.14m
15.0ft	4.57m	0.55fc	12.5ft	3.81m	12.8ft	3.90m
18.0ft	5.49m	0.38fc	15.0ft	4.52m	15.4ft	4.69m

Delivered Lumen: 83.1 lm  
 ■ Vertical Beam Spread: 45.1°  
 ■ Horizontal Beam Spread: 46.3°

2W, 3000K, 90+ CRI

Polar Candela Distribution



Beam Width: 12°

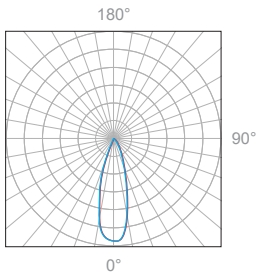


Illuminance at a Distance

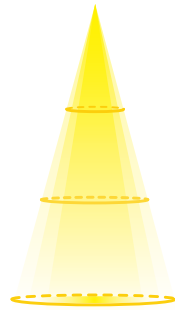
Distance		Center Beam fc	Beam Width			
3.0ft	0.91m	103fc	1.0ft	0.30m	1.0ft	0.30m
6.0ft	1.83m	25.9fc	2.0ft	0.60m	2.0ft	0.60m
9.0ft	2.74m	11.5fc	3.0ft	0.91m	3.0ft	0.91m
12.0ft	3.66m	6.47fc	4.0ft	1.22m	4.0ft	1.22m
15.0ft	4.57m	4.14fc	5.0ft	1.52m	5.0ft	1.52m
18.0ft	5.49m	1.87fc	6.0ft	1.83m	6.0ft	1.83m

Delivered Lumen: 129 lm  
 ■ Vertical Beam Spread: 19°  
 ■ Horizontal Beam Spread: 19°

Polar Candela Distribution



Beam Width: 30°

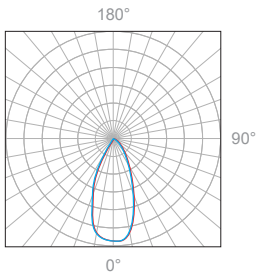


Illuminance at a Distance

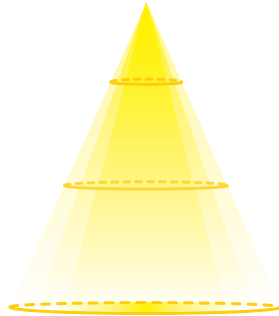
Distance		Center Beam fc	Beam Width			
3.0ft	0.91m	69.5fc	1.5ft	0.46m	1.5ft	0.46m
6.0ft	1.83m	17.4fc	3.0ft	0.91m	3.0ft	0.91m
9.0ft	2.74m	7.73fc	4.5ft	1.37m	4.5ft	1.37m
12.0ft	3.66m	4.35fc	6.0ft	1.83m	6.0ft	1.83m
15.0ft	4.57m	2.78fc	7.6ft	2.32m	7.6ft	2.32m
18.0ft	5.49m	1.93fc	9.1ft	2.77m	9.1ft	2.77m

Delivered Lumen: 149 lm  
 ■ Vertical Beam Spread: 28.3°  
 ■ Horizontal Beam Spread: 28.3°

Polar Candela Distribution



Beam Width: 45°



Illuminance at a Distance

Distance		Center Beam fc	Beam Width			
3.0ft	0.91m	24.7fc	2.5ft	0.76m	2.6ft	0.79m
6.0ft	1.83m	6.16fc	5.0ft	1.52m	5.2ft	1.58m
9.0ft	2.74m	2.74fc	7.5ft	2.28m	7.8ft	2.37m
12.0ft	3.66m	1.54fc	10.0ft	3.04m	10.4ft	3.17m
15.0ft	4.57m	0.99fc	12.5ft	3.81m	13.0ft	3.96m
18.0ft	5.49m	0.68fc	15.0ft	4.52m	15.6ft	4.75m

Delivered Lumen: 149.8 lm  
 ■ Vertical Beam Spread: 45.2°  
 ■ Horizontal Beam Spread: 46.7°