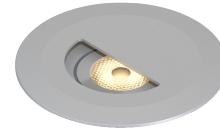


L300

EXTERIOR | INTERIOR

In-grade | For ground, ceilings, walls, and stairs

The L300 includes a half shield to eliminate unwanted glare while maintaining light on a specific target. Typical applications include: (1) in vertical surfaces above stair treads, (2) in horizontal surface (ingrade, in floor) as up lights in narrow hallways or along walkways etc.



- Wet, Damp, and Dry location



Ordering Information

Clear Form

Date : _____ Quantity : _____

Project : _____ Note : _____

Type : _____

Specifications

Luminaire | Example Code: L300-2-W30H-SH-N-C-[]-0-MK3-S-S6

Product	Version	CCT & CRI ¹	LED Housing ²	Beam Angle ³	Lens	Accessories ⁴ (optional)	Internal Angle Bracket ⁵	Mounting Kit ⁶ (optional)	Flange & Back Box ⁷	Trim Finish ¹⁰
L300										
	1 1W 2 2W	W22S 2200K 80+ W27H 2700K 90+ W30H 3000K 90+ W35H 3500K 90+ W41H 4100K 90+	SH standard housing depth: 2-1/4" (57mm) LH long housing depth: 3-1/2" (89mm)	SH: SS super spot 8° S spot 12° N narrow flood 30° F flood 45° W wide flood 120° LH: SS super spot 8° S spot 12° N narrow flood 30°	C clear F frosted	LM louver, matte anodized LB louver, black anodized HM hex louver, matte anodized HB hex louver, black anodized AB angled louver, black anodized SB straight louver, black anodized QB square louver, black anodized RB ring louver, black anodized	with SH only: 0 no angle 15 15° angle X custom	MK1 vertical surface MK3 in-ground	Octagonal Aluminum Back Box with: S standard flange depth: 3-1/2" (89mm) P paving stone ⁸ flange depth: 5-1/2" (138mm) Pipe ⁹: PIPE 1-5/8" PVC pipe length: 11-13/16" (300mm) NB no back box or flange	Aluminum Finishes: MA matte clear anodized BA black anodized BZ bronze powder coated Stainless Steel Finishes: S6 stainless steel 316

System Components (Ordered Separately)

Remote Driver : _____

* Consult MP Lighting Website or Factory.

Important Notes

Specification

- Refer to pg.2 - for Light Quality and Colour Consistency.
- Paving stone flange is required for LH (long housing).
- See Light Distribution section for illustration of different combinations of beam angles and angle bracket. W (wide, 120°) only available with SH (standard housing). SS (super spot, 8°) only available with Clear Lens, not available with Louver accessories or angle brackets.
- Louvers will be below the lens. Only available when there is no Internal Angle Bracket.
- Internal angle bracket is factory set, and cannot be field adjusted. 5° increments to a maximum of 15° without accessories.

- Mounting kit is ordered separately. Please consult factory.
- For components included, refer to Luminaire Construction section. For custom box and flange options, consult MP factory.
- Factory set length of 11-13/16" (300mm). Visit [PIPE-C](#) for details.
- Paving stone flange is required for LH (long housing) and it is also recommended for a better cement/concrete flow.
- Different finish options are only applicable to trim ring and not for LED module housing. Refer to Appendix or MP Lighting website for complete look of luminaire with different trim finish options.

Warranty Notes & Disclaimer

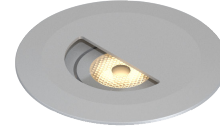
Malfunction and damage to product due to incompatible dimming system or misuse will not be covered under warranty. Consult MP Lighting for recommended drivers. If the fixture has an option to be installed with a dimming control system, consult a dimming system manufacturer with minimum load before installing. MP Lighting reserves the right, at its sole discretion, at any time and without notice, to make design changes to any of our products. Consult MP Lighting website for most updated documentation.

L300

EXTERIOR | INTERIOR

In-grade | For ground, ceilings, walls, and stairs

The L300 includes a half shield to eliminate unwanted glare while maintaining light on a specific target. Typical applications include: (1) in vertical surfaces above stair treads, (2) in horizontal surface (ingrade, in floor) as up lights in narrow hallways or along walkways etc.



- Wet, Damp, and Dry location



Performance

Wattage	Forward Current	Power Consumption Budget per fixture (including driver)	LED Output (Source)	Fixture Output (Delivered)
1W	350mA	1.3W	110 lm	29-33 lm
2W	700mA	2.6W	220 lm	47-53 lm

Application

Environment	Dry / Damp / Wet Location approved. IP 68.
Drive Over Rating	9,700 lbs (4,400 kg)
Mounting	<p>Recessed: Designed to be cast into earth, gravel, or concrete or inserted into paving stones or pavers. Included backbox, flange and level for direct burial or casting applications.</p> <p>MK1 mounting kit (optional): Recommended for easy installation on vertical surfaces (e.g. stair risers, walls), and downward-facing surfaces (e.g. ceilings, soffits). See "Mounting Options & Dimensions," or visit MK1</p> <p>MK3 mounting kit (optional): Recommended for thicker concrete slab and paving stone in-ground installation. Custom rectangular electrical box option is available for stair riser&wall installation. See "Mounting Options & Dimensions," or visit MK3</p>

Electrical

Electrical	Remote LED drivers (120-277V AC input, constant current output): Fixtures to be wired in series.
Control	On/off control or phase dimming or 0-10V dimming with appropriate remote dimmable driver.

Luminaire Construction

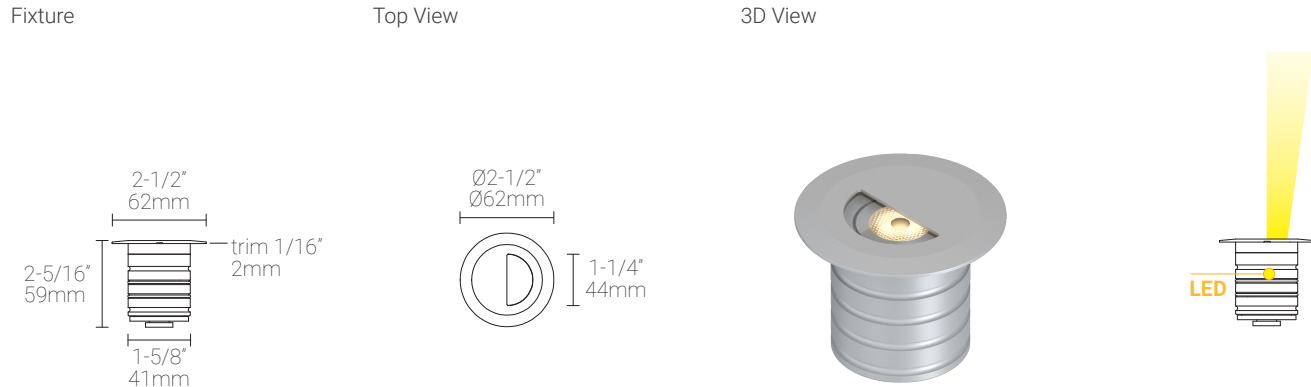
LED Light Source	<p>W22S = CCT: 2200K, CRI (Ra): 80+, Colour Consistency: 3SDCM</p> <p>W27H = CCT: 2700K, CRI (Ra): 90+, Colour Consistency: 2SDCM</p> <p>W30H = CCT: 3000K, CRI (Ra): 90+, Colour Consistency: 2SDCM</p> <p>W35H = CCT: 3500K, CRI (Ra): 90+, Colour Consistency: 2SDCM</p> <p>W41H = CCT: 4100K, CRI (Ra): 90+, Colour Consistency: 3SDCM</p>
Weight	1.8 lbs (0.816 kg). Typical Aluminum Insert & Back Box only.
Material	Fixture: machined marine-grade aluminum or machined stainless steel (316) with tempered glass
Supplied with	<p>Standard installation housing: Comes with an octagonal back box, a flange, an integral leveling device, a plastic cap, gel filled wire nuts, and silicone grease.</p> <p>Cable: 6" (152mm) factory-installed wire lead</p>
Warranty & LED Life	5 years limited warranty Estimated useful life of LED is 50,000 hours.

Ordered Separately

System Components	<p>Power supplies: remote driver</p> <p>Mounting kits: MK1 or MK3 (custom length rebar in MK3 supplied by contractors)</p> <p>Custom back boxes: see Pg.5- Mounting Options & Dimensions.</p>
-------------------	--

Mounting Options & Dimensions

LED Insert Dimensions | shown with Standard Housing (SH)

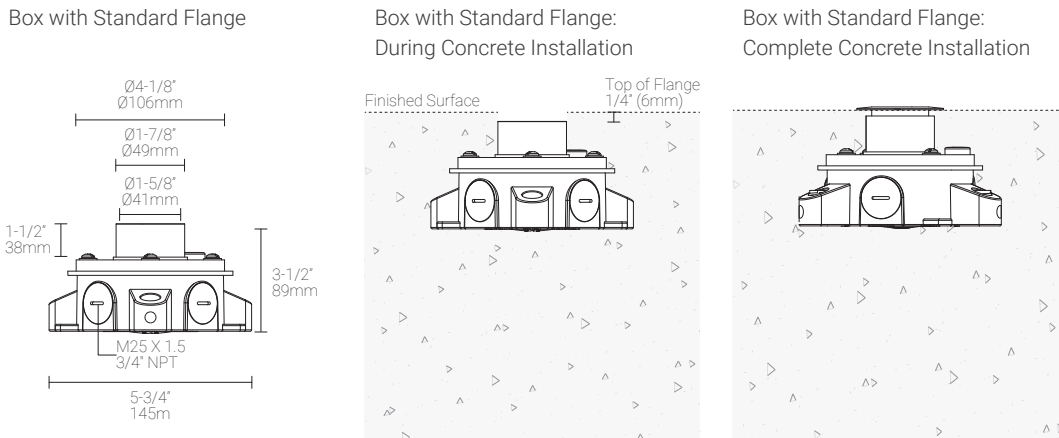


LED Insert Dimensions | shown with Long Housing (LH)



In-ground Installation | Shown with MP Lighting Back Box & Standard Flange (Order Code: **EBX-OCT1-CSMA**)

* Standard Flange is only compatible with SH (short housing). This is NOT for LH (long housing).

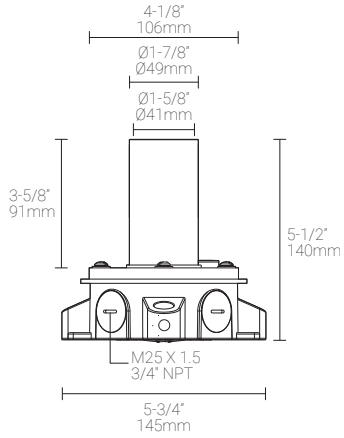


Mounting Options & Dimensions

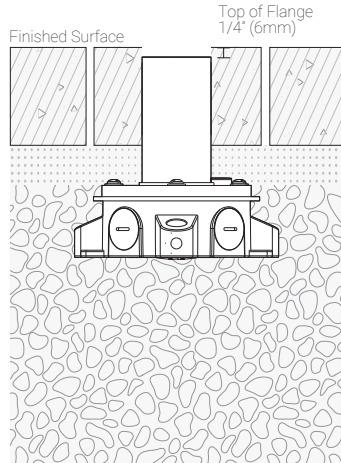
In-ground Installation | Shown with MP Lighting Back Box & Paving Stone Flange (Order Code: **EBX-OCT1-CPMA**)

* Paving Stone Flange is compatible with both SH (short housing) and LH (long housing).

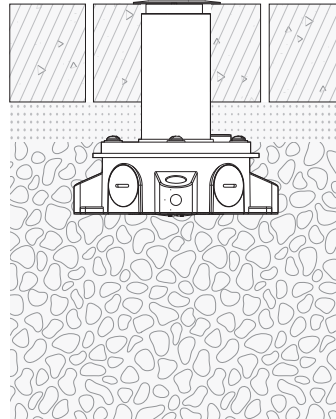
Box with Paving Stone Flange:



Box with Paving Stone Flange:
During Paving Stone Installation

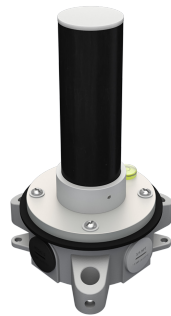
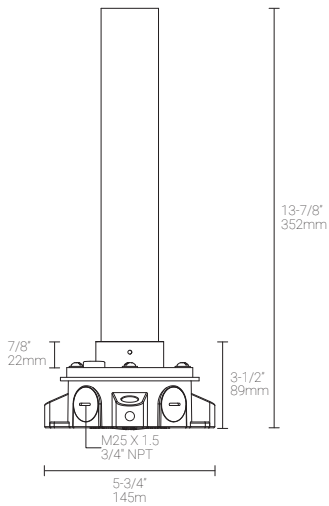


Box with Paving Stone Flange:
Complete Paving Stone Installation



EBX-OCT1-CPIPE

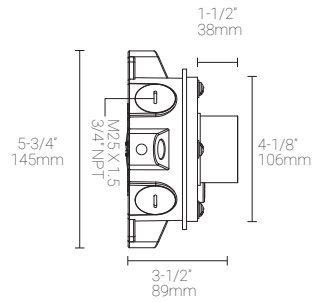
PIPE (PIPE-C) : In-ground/Landscape Installation | Shown with MP Lighting Back Box (Order Code: **EBX-OCT1-CPIPE**)



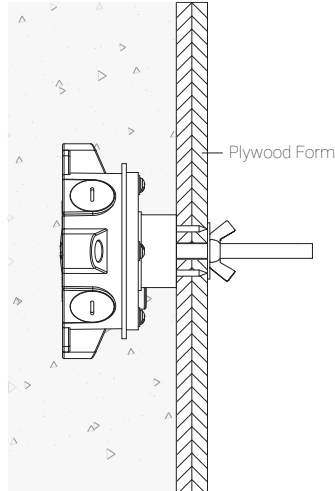
Mounting Kits

MK1 (MK1-OCT1-C): Ceiling, Wall, and Stair Riser Installation | Shown with MP Lighting Back Box (Order Code: EBX-OCT1-CSMA)

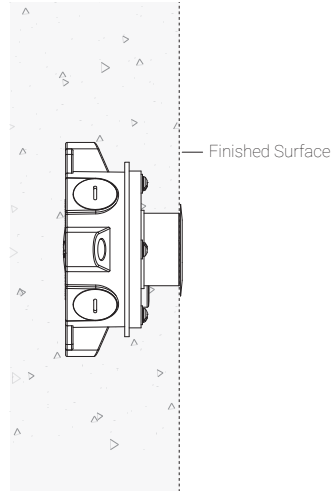
Box with Standard Flange



Box with Standard Flange & MK1:
During Installation



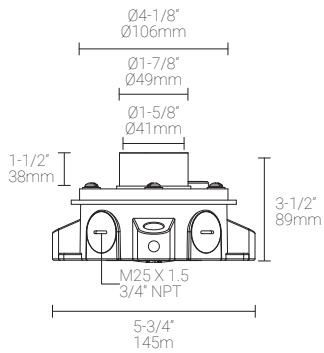
Box with Standard Flange:
Complete Installation



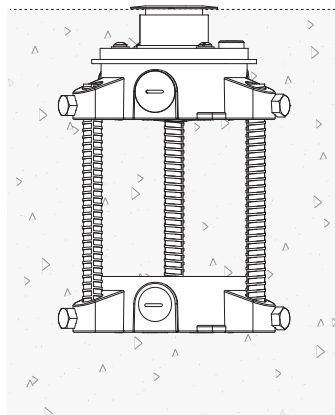
6" (152mm) threaded rod is supplied. Thread size: 3/8"-16

MK3: In-ground Installation | Shown with MP Lighting Back Box (Order Code: EBX-OCT1-CSMA or EBX-OCT1-CPMA)

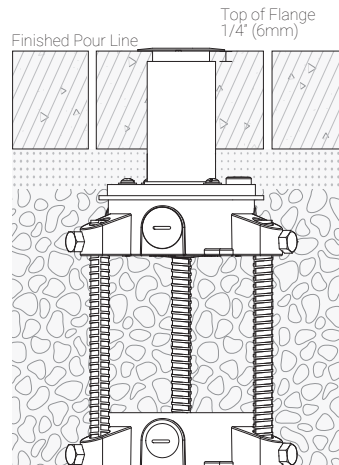
Back Box



MK3 with Standard Flange and
Back Box



MK3 with Paving Stone Flange and
Back Box

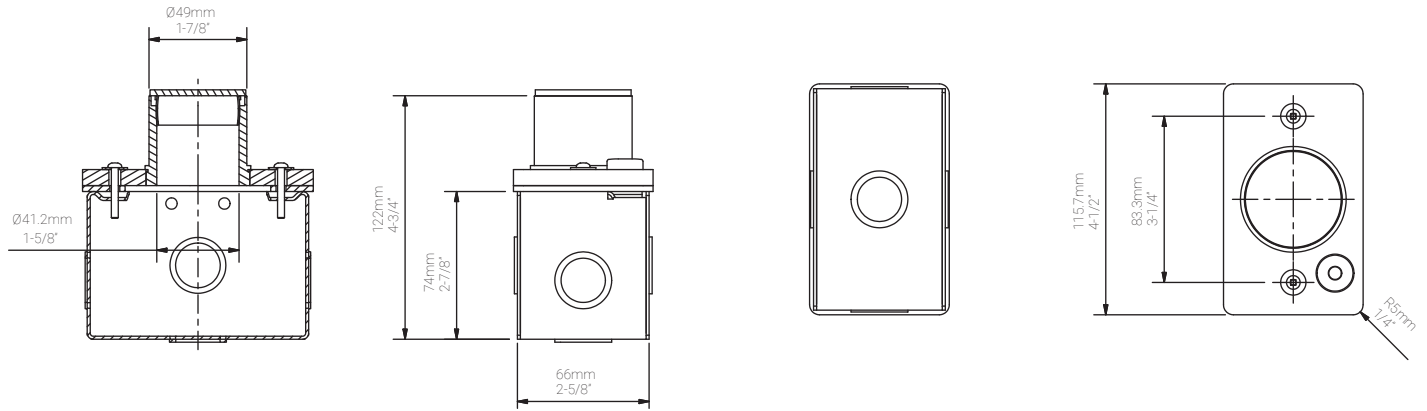


Rebar supplied by others.
Recommended size: Ø1/2"

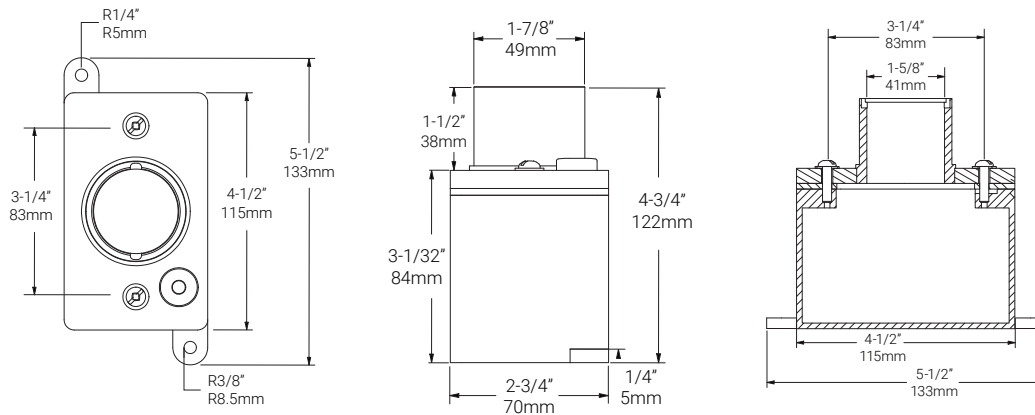
Custom Rectangular Back Box for Wall Installation (shown with Standard Flange)

1. For wall installation, custom rectangular electrical boxes are available as alternative options.

MP Lighting Single Gang Back Box | Order Code: **EBX-SGB1-CSMA**



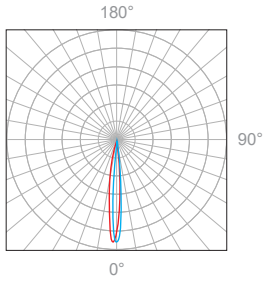
Scepter FD Back box | Order Code: **EBX-SFD-CSMA**



Photometric Report | 1W, SH (standard housing), 3000K, 90+ CRI

Polar Candela Distribution

Beam Width: 8°



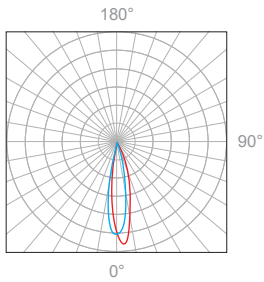
Illuminance at a Distance

Distance		Center Beam fc	Beam Width			
1.5ft	0.46m	280fc	0.2ft	0.06m	0.2ft	0.06m
3.0ft	0.91m	70fc	0.5ft	0.15m	0.4ft	0.12m
4.5ft	1.37m	31.1fc	0.7ft	0.21m	0.6ft	0.18m
6.0ft	1.83m	17.5fc	0.9ft	0.27m	0.8ft	0.24m
7.5ft	2.29m	11.2fc	1.2ft	0.36m	1.1ft	0.33m
9.0ft	2.74m	7.78fc	1.4ft	0.42m	1.3ft	0.39m

Delivered Lumen: 18 lm
 ■ Vertical Beam Spread: 8.9°
 ■ Horizontal Beam Spread: 8.0°

Polar Candela Distribution

Beam Width: 12°



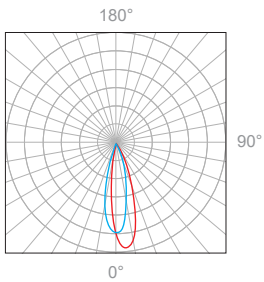
Illuminance at a Distance

Distance		Center Beam fc	Beam Width			
1.5ft	0.46m	123fc	0.6ft	0.18m	0.5ft	0.15m
3.0ft	0.91m	30fc	1.1ft	0.34m	1.0ft	0.30m
4.5ft	1.37m	13fc	1.7ft	0.52m	1.6ft	0.49m
6.0ft	1.83m	5.7fc	2.3ft	0.70m	2.1ft	0.64m
7.5ft	2.29m	4.7fc	2.9ft	0.88m	2.6ft	0.79m
9.0ft	2.74m	3.1fc	3.4ft	1.04m	3.1ft	0.95m

Delivered Lumen: 33 lm
 ■ Vertical Beam Spread: 14.0°
 ■ Horizontal Beam Spread: 14.3°

Polar Candela Distribution

Beam Width: 30°



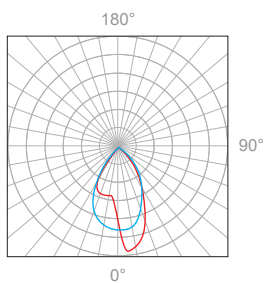
Illuminance at a Distance

Distance		Center Beam fc	Beam Width			
1.5ft	0.46m	79fc	0.8ft	0.24m	0.6ft	0.18m
3.0ft	0.91m	20fc	1.6ft	0.49m	1.3ft	0.40m
4.5ft	1.37m	8.8fc	2.4ft	0.73m	1.9ft	0.58m
6.0ft	1.83m	5fc	3.2ft	0.98m	2.6ft	0.79m
7.5ft	2.29m	3.1fc	4.0ft	1.22m	3.2ft	0.98m
9.0ft	2.74m	1.9fc	4.8ft	1.46m	3.8ft	1.16m

Delivered Lumen: 33 lm
 ■ Vertical Beam Spread: 29.9°
 ■ Horizontal Beam Spread: 24.1°

Polar Candela Distribution

Beam Width: 45°



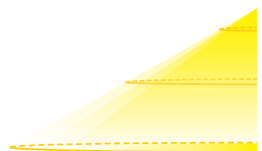
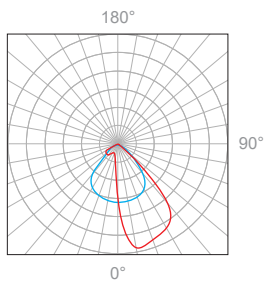
Illuminance at a Distance

Distance		Center Beam fc	Beam Width			
3.0ft	0.91m	6.07fc	2.3ft	0.70m	1.5ft	0.45m
6.0ft	1.83m	1.52fc	4.7ft	1.43m	3.0ft	0.91m
9.0ft	2.74m	0.67fc	7.0ft	2.13m	4.5ft	1.37m
12.0ft	3.65m	0.38fc	9.3ft	2.83m	5.9ft	1.79m
15.0ft	4.57m	0.24fc	11.7ft	3.56m	7.4ft	2.25m
18.0ft	5.48m	0.17fc	14.0ft	4.26m	8.9ft	2.71m

Delivered Lumen: 41 lm
 ■ Vertical Beam Spread: 42.5°
 ■ Horizontal Beam Spread: 27.8°

Polar Candela Distribution

Beam Width: 120°



Illuminance at a Distance

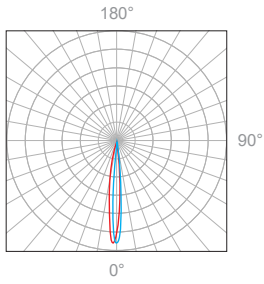
Distance		Center Beam fc	Beam Width			
1.5ft	0.46m	6.6fc	2.7ft	0.82m	1.2ft	0.37m
3.0ft	0.91m	2.7fc	5.4ft	1.65m	2.5ft	0.76m
4.5ft	1.37m	1.3fc	8.0ft	2.40m	3.7ft	1.13m
6.0ft	1.83m	0.73fc	10.7ft	3.26m	4.9ft	1.49m
7.5ft	2.29m	0.47fc	13.4ft	4.08m	6.1ft	1.86m
9.0ft	2.74m	0.32fc	16.1ft	4.91m	7.4ft	2.26m

Delivered Lumen: 29 lm
 ■ Vertical Beam Spread : 83.6°
 ■ Horizontal Beam Spread : 44.4°

Photometric Report | 2W, SH (standard housing), 3000K, 90+ CRI

Polar Candela Distribution

Beam Width: 8°



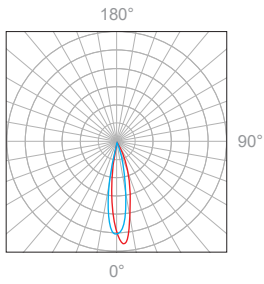
Illuminance at a Distance

Distance		Center Beam fc	Beam Width			
1.5ft	0.46m	479fc	0.2ft	0.06m	0.2ft	0.06m
3.0ft	0.91m	120fc	0.5ft	0.15m	0.4ft	0.12m
4.5ft	1.37m	53.3fc	0.7ft	0.21m	0.7ft	0.21m
6.0ft	1.83m	30.0fc	0.9ft	0.27m	0.9ft	0.27m
7.5ft	2.29m	19.2fc	1.1ft	0.33m	1.1ft	0.33m
9.0ft	2.74m	13.3fc	1.4ft	0.42m	1.3ft	0.39m

Delivered Lumen: 31.9 lm
 ■ Vertical Beam Spread: 8.7°
 ■ Horizontal Beam Spread: 8.3°

Polar Candela Distribution

Beam Width: 12°



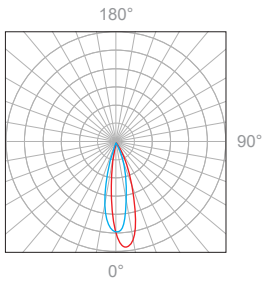
Illuminance at a Distance

Distance		Center Beam fc	Beam Width			
1.5ft	0.46m	285fc	0.6ft	0.18m	0.5ft	0.15m
3.0ft	0.91m	91fc	1.1ft	0.34m	1.0ft	0.30m
4.5ft	1.37m	32fc	1.7ft	0.52m	1.6ft	0.49m
6.0ft	1.83m	17fc	2.3ft	0.70m	2.1ft	0.64m
7.5ft	2.29m	11fc	2.9ft	0.88m	2.6ft	0.79m
9.0ft	2.74m	7.2fc	3.4ft	1.04m	3.1ft	0.95m

Delivered Lumen: 53 lm
 ■ Vertical Beam Spread: 14.0°
 ■ Horizontal Beam Spread: 14.3°

Polar Candela Distribution

Beam Width: 30°



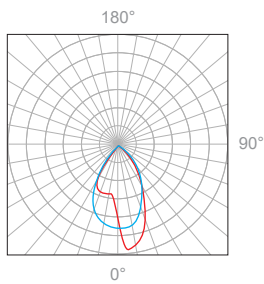
Illuminance at a Distance

Distance		Center Beam fc	Beam Width			
1.5ft	0.46m	171fc	0.8ft	0.24m	0.6ft	0.18m
3.0ft	0.91m	41fc	1.6ft	0.49m	1.3ft	0.40m
4.5ft	1.37m	18fc	2.4ft	0.73m	1.9ft	0.58m
6.0ft	1.83m	9.4fc	3.2ft	0.98m	2.6ft	0.79m
7.5ft	2.29m	6fc	4.0ft	1.22m	3.2ft	0.98m
9.0ft	2.74m	4.2fc	4.8ft	1.46m	3.8ft	1.16m

Delivered Lumen: 52 lm
 ■ Vertical Beam Spread: 29.9°
 ■ Horizontal Beam Spread: 24.1°

Polar Candela Distribution

Beam Width: 45°



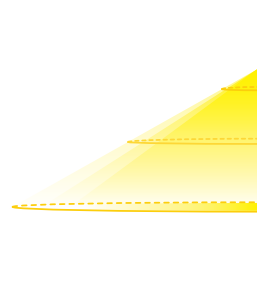
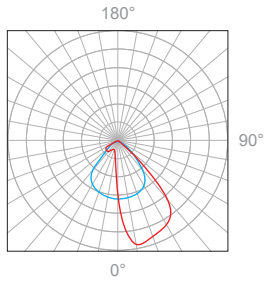
Illuminance at a Distance

Distance		Center Beam fc	Beam Width			
3.0ft	0.91m	1.11fc	2.3ft	0.70m	1.5ft	0.45m
6.0ft	1.83m	2.77fc	4.7ft	1.43m	3.0ft	0.91m
9.0ft	2.74m	1.23fc	7.1ft	2.16m	4.5ft	1.37m
12.0ft	3.65m	0.69fc	9.5ft	2.89m	6.0ft	1.82m
15.0ft	4.57m	0.44fc	11.8ft	3.59m	7.5ft	2.28m
18.0ft	5.48m	0.31fc	14.2ft	4.32m	9.0ft	2.74m

Delivered Lumen: 73.6 lm
 ■ Vertical Beam Spread: 43°
 ■ Horizontal Beam Spread: 28.2°

Polar Candela Distribution

Beam Width: 120°



Illuminance at a Distance

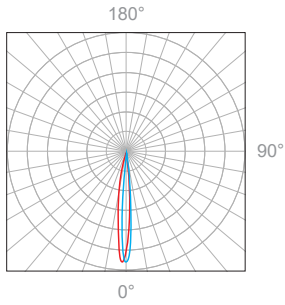
Distance		Center Beam fc	Beam Width			
1.5ft	0.46m	11fc	2.7ft	0.82m	1.2ft	0.37m
3.0ft	0.91m	4.9fc	5.4ft	1.65m	2.5ft	0.76m
4.5ft	1.37m	2.4fc	8.0ft	2.40m	3.7ft	1.13m
6.0ft	1.83m	1.4fc	10.7ft	3.26m	4.9ft	1.49m
7.5ft	2.29m	0.93fc	13.4ft	4.08m	6.1ft	1.86m
9.0ft	2.74m	0.64fc	16.1ft	4.91m	7.4ft	2.26m

Delivered Lumen: 47 lm
 ■ Vertical Beam Spread : 83.6°
 ■ Horizontal Beam Spread : 44.4°

Photometric Report | 1W, LH (long housing), 3000K, 90+ CRI

Polar Candela Distribution

Beam Width: 8°



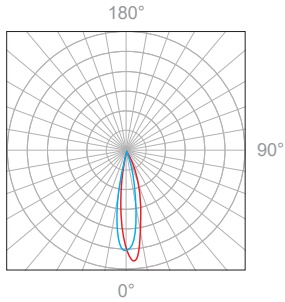
Illuminance at a Distance

Distance		Center Beam fc	Beam Width			
1.5ft	0.46m	179fc	0.2ft	0.06m	0.2ft	0.06m
3.0ft	0.91m	44.6fc	0.3ft	0.09m	0.3ft	0.09m
4.5ft	1.37m	19.8fc	0.5ft	0.15m	0.5ft	0.15m
6.0ft	1.83m	11.2fc	0.6ft	0.18m	0.6ft	0.18m
7.5ft	2.29m	7.14fc	0.8ft	0.24m	0.8ft	0.24m
9.0ft	2.74m	4.96fc	0.9ft	0.27m	0.9ft	0.27m

Delivered Lumen: 19.8 lm
 ■ Vertical Beam Spread: 6°
 ■ Horizontal Beam Spread: 6°

Polar Candela Distribution

Beam Width: 12°



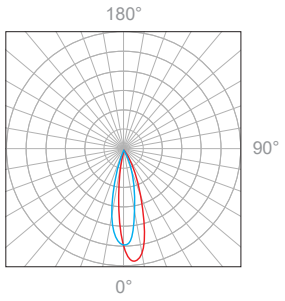
Illuminance at a Distance

Distance		Center Beam fc	Beam Width			
1.5ft	0.46m	207fc	0.3ft	0.09m	0.3ft	0.09m
3.0ft	0.91m	51.8fc	0.6ft	0.18m	0.5ft	0.15m
4.5ft	1.37m	23fc	1.0ft	0.30m	0.8ft	0.24m
6.0ft	1.83m	12.9fc	1.3ft	0.40m	1.1ft	0.34m
7.5ft	2.29m	8.29fc	1.6ft	0.49m	1.3ft	0.40m
9.0ft	2.74m	5.76fc	1.9ft	0.58m	1.6ft	0.49m

Delivered Lumen: 29.3 lm
 ■ Vertical Beam Spread: 12.1°
 ■ Horizontal Beam Spread: 10.2°

Polar Candela Distribution

Beam Width: 30°



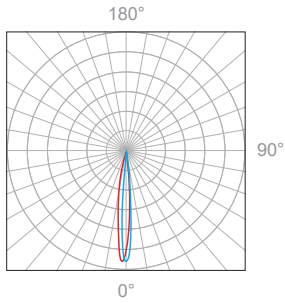
Illuminance at a Distance

Distance		Center Beam fc	Beam Width			
1.5ft	0.46m	43.7fc	0.8ft	0.24m	0.7ft	0.21m
3.0ft	0.91m	10.9fc	1.6ft	0.49m	1.5ft	0.46m
4.5ft	1.37m	4.85fc	2.5ft	0.76m	2.2ft	0.67m
6.0ft	1.83m	2.73fc	3.3ft	1.01m	3.0ft	0.91m
7.5ft	2.29m	1.75fc	4.1ft	1.25m	3.7ft	1.13m
9.0ft	2.74m	1.21fc	4.9ft	1.49m	4.5ft	1.37m

Delivered Lumen: 33.3 lm
 ■ Vertical Beam Spread: 30.7°
 ■ Horizontal Beam Spread: 28°

Polar Candela Distribution

Beam Width: 8°



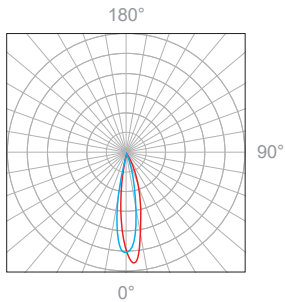
Illuminance at a Distance

Distance		Center Beam fc	Beam Width			
1.5ft	0.46m	353fc	0.2ft	0.06m	0.2ft	0.06m
3.0ft	0.91m	88.2fc	0.3ft	0.09m	0.3ft	0.09m
4.5ft	1.37m	39.2fc	0.5ft	0.15m	0.5ft	0.15m
6.0ft	1.83m	22.1fc	0.6ft	0.18m	0.6ft	0.18m
7.5ft	2.29m	14.1fc	0.8ft	0.24m	0.8ft	0.24m
9.0ft	2.74m	9.81fc	0.9ft	0.27m	0.9ft	0.27m

Delivered Lumen: 39.2 lm
 ■ Vertical Beam Spread: 6°
 ■ Horizontal Beam Spread: 6°

Polar Candela Distribution

Beam Width: 12°



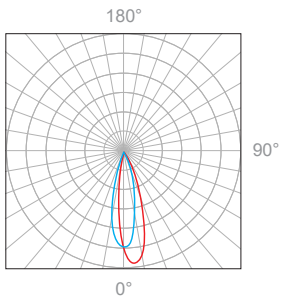
Illuminance at a Distance

Distance		Center Beam fc	Beam Width			
1.5ft	0.46m	410fc	0.3ft	0.09m	0.3ft	0.09m
3.0ft	0.91m	102fc	0.6ft	0.18m	0.5ft	0.15m
4.5ft	1.37m	45.5fc	1.0ft	0.30m	0.8ft	0.24m
6.0ft	1.83m	25.6fc	1.3ft	0.40m	1.1ft	0.34m
7.5ft	2.29m	16.4fc	1.6ft	0.49m	1.3ft	0.40m
9.0ft	2.74m	11.4fc	1.9ft	0.58m	1.6ft	0.49m

Delivered Lumen: 57.9 lm
 ■ Vertical Beam Spread: 12.1°
 ■ Horizontal Beam Spread: 10.2°

Polar Candela Distribution

Beam Width: 30°



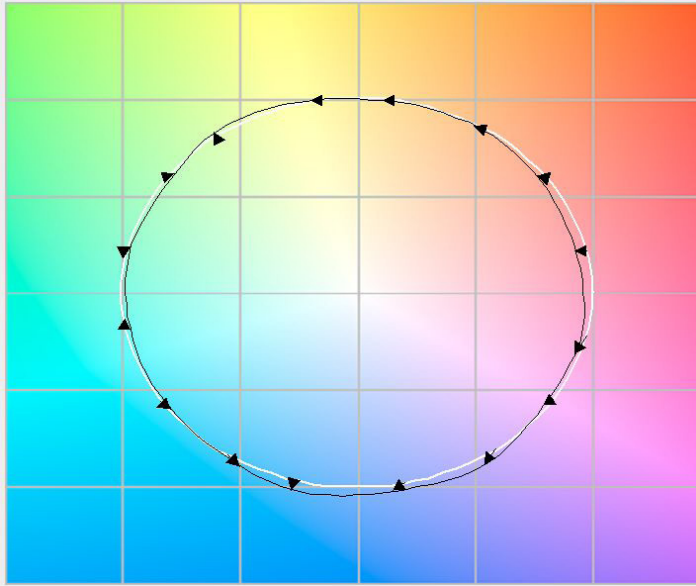
Illuminance at a Distance

Distance		Center Beam fc	Beam Width			
1.5ft	0.46m	86.4fc	0.8ft	0.24m	0.7ft	0.21m
3.0ft	0.91m	21.6fc	1.6ft	0.49m	1.5ft	0.46m
4.5ft	1.37m	9.60fc	2.5ft	0.76m	2.2ft	0.67m
6.0ft	1.83m	5.40fc	3.3ft	1.01m	3.0ft	0.91m
7.5ft	2.29m	3.45fc	4.1ft	1.25m	3.7ft	1.13m
9.0ft	2.74m	2.40fc	4.9ft	1.49m	4.5ft	1.37m

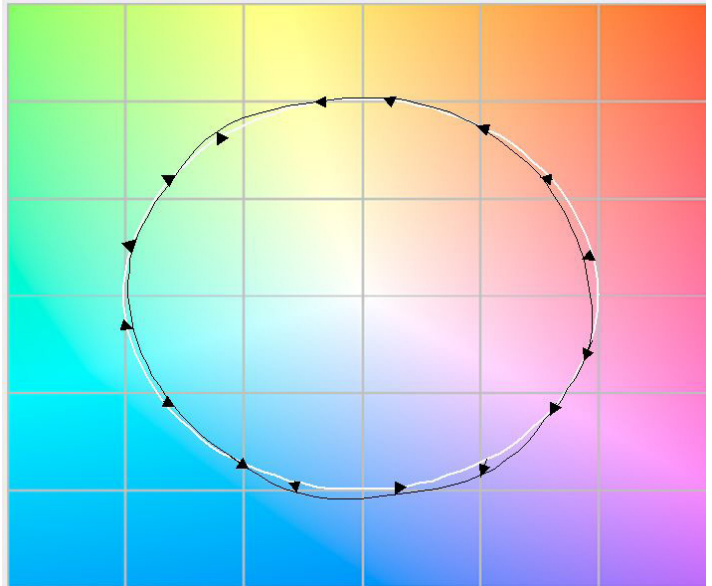
Delivered Lumen: 65.8 lm
 ■ Vertical Beam Spread: 30.7°
 ■ Horizontal Beam Spread: 28°

TM30 Report

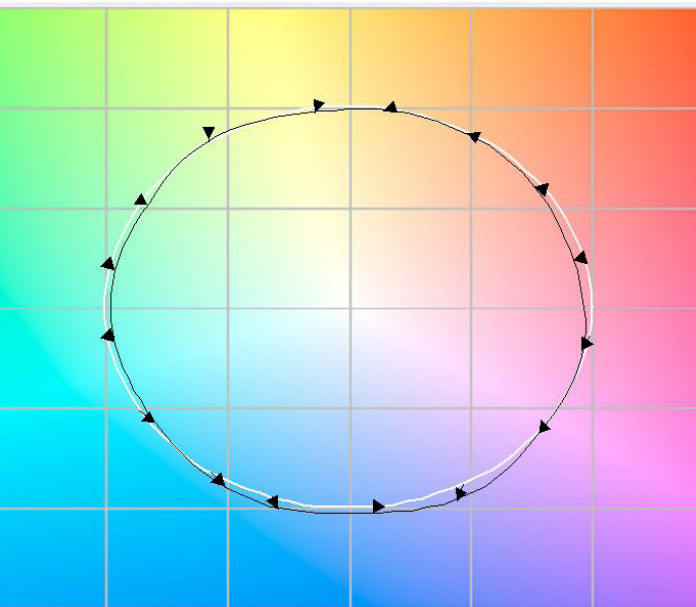
2700K, 90+CRI



3000K, 90+CRI

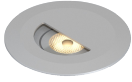


3500K, 90+CRI

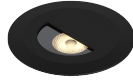


Appendix

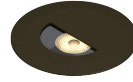
Aluminum Finishes



MA matte clear anodized

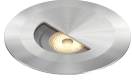


BA black anodized



BZ bronze powder coated

Stainless Steel Finishes



S6 stainless steel 316

Accessories



LM louver, matte clear anodized



LB louver, black anodized



HM hex louver, matte clear anodized



HB hex louver, black anodized



AB angled louver, black anodized



SB straight louver, black anodized



QB square louver, black anodized



RB ring louver, black anodized

LED Housing Options

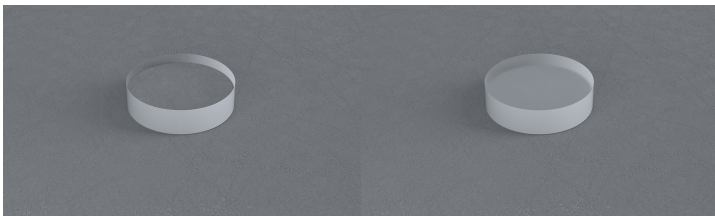


SH standard housing



LH long housing

Lens Options



C clear lens

F frosted