

L360

EXTERIOR | INTERIOR

In-grade | For ground, ceilings, walls, and stairs

• Wet, Damp, and Dry Location



Ordering Information

Clear Form

Date : _____

Quantity : _____

Project : _____

Note : _____

Type : _____

Specifications

Luminaire | Example Code: L360-8-W30H-N-S-[]-C-MK3-P-S6

Product	Version	CCT & CRI ¹	Beam Angle	Reflector Colour	Accessories ² (optional)	Lens	Mounting Kit ⁴ (optional)	Flange & Back Box ⁵	Trim Finish ⁶
L360	8 8W 6 6W ¹	W27H 2700K 90+ W30H 3000K 90+ WD warm dimming (1800K-3000K, 95+ CRI)	SS super spot 8° S spot 12° N narrow flood 30° W wide flood 60°	S silver B black	HM2 hex louver, matte anodized HB2 hex louver, black anodized AB2 angled louver, black anodized SB2 straight louver, black anodized QB2 square louver, black anodized RB2 ring louver, black anodized NB2 narrow louver, black	C clear F frosted A anti-slip ³	MK1 vertical surface MK3 in-ground	Octagonal Aluminum Back Box with : P paving stone flange depth: 4-1/2" (114mm) NB no back box or flange	Aluminum Finishes: MA matte clear anodized BA black anodized BZ bronze Stainless Steel Finishes: S6 stainless steel 316 BTO black stainless steel Other Materials: ABZ antique bronze

System Components (Ordered Separately)

Remote Driver : _____

* Consult MP Lighting Website or Factory.

Important Notes

Specification

- Warm Dimming option is only available with 6W, and it's not available with super spot option. Refer to pg.6 or [Warm Dimming](#) for details.
- With NB2 option, Beam Angle and Angle Bracket cannot be selected.
- Anti-slip is only available with Clear lens. Refer to Appendix or MP Lighting website for images and details.
- Mounting kit is ordered separately. Please consult factory.
- For components included, refer to Luminaire Construction section.
- Different finish options are only applicable to trim ring and not for LED module housing. Refer to Appendix or MP Lighting website for complete look of luminaire with different trim finish options.

Warranty Notes & Disclaimer

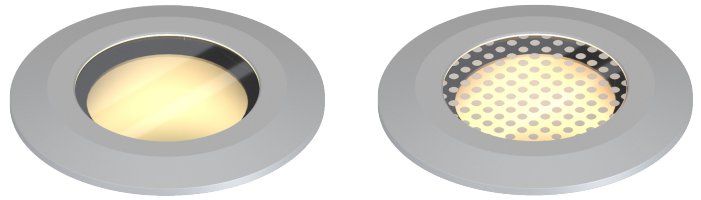
Malfunction and damage to product due to incompatible dimming system or misuse will not be covered under warranty. Consult MP Lighting for recommended drivers. If the fixture has an option to be installed with a dimming control system, consult a dimming system manufacturer with minimum load before installing. MP Lighting reserves the right, at its sole discretion, at any time and without notice, to make design changes to any of our products. Consult MP Lighting website for most updated documentation.

L360

EXTERIOR | INTERIOR

In-grade | For ground, ceilings, walls, and stairs

• Wet, Damp, and Dry Location



Performance

Wattage	Forward Current	Power Consumption Budget per fixture (including driver)	LED output (Source)	Fixture Output (Delivered)
8W	700mA	8.0W	880 lm	75.8-425.3 lm

Application

Environment	Wet / Damp / Dry Location approved. IP 68.
Drive Over Rating	9,700 lbs (4,400 kg)
Mounting	<p>Recessed: Designed to be cast into earth, gravel, or concrete or inserted into paving stones or pavers. Included backbox, flange and level for direct burial or casting applications.</p> <p>MK1 mounting kit (optional): Recommended for easy installation on vertical surfaces (e.g. stair risers, walls), and downward-facing surfaces (e.g. ceilings, soffits). See "Mounting Options & Dimensions," or visit MK1</p> <p>MK3 mounting kit (optional): Recommended for thicker concrete slab and paving stone in-ground installation. Custom rectangular electrical box option is available for stair riser&wall installation. See "Mounting Options & Dimensions," or visit MK3</p>

Electrical

Power Supplies	Remote LED drivers (120-277V AC input, constant current output): Fixtures to be wired in series. Remote LED drivers (120-277V AC input, constant voltage output): Fixtures to be wired in parallel.
Control	<p>On/off control</p> <p>Dimming: ELV or 0-10V dimming with appropriate drivers</p> <p>Other options (consult factory): TRIAC/MLV, DMX, DALI, Casambi, Power over Ethernet</p>

Luminaire Construction

LED Light Source	<p>W27H = CCT: 2700K, CRI (Ra): 90+, Colour Consistency: 2SDCM</p> <p>W30H = CCT: 3000K, CRI (Ra): 90+, Colour Consistency: 2SDCM</p> <p>WD = CCT: 1800K~3000K, CRI (Ra): 95+</p>
Weight	2.56 lbs (1.16 kg). Typical Aluminum Insert & Back Box only.
Material	Fixture: machined marine-grade aluminum, machined stainless steel (316) or antique bronze with tempered glass
Supplied with	<p>Standard installation housing: Comes with an octagonal back box, a flange, an integral leveling device, a plastic cap, gel filled wire nuts, and silicone grease.</p> <p>Cable: 6" (152mm) factory-installed wire lead</p>
Warranty & LED Life	5 years limited warranty Estimated useful life of LED is 50,000 hours.

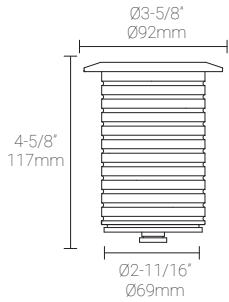
Ordered Separately

System Components	<p>Power supplies: remote driver Please consult factory or visit Recommended Drivers for available driver options.</p> <p>Mounting kits: MK1 or MK3 (custom length rebar in MK3 supplied by contractors)</p> <p>Custom back boxes: see Pg.3- Mounting Options & Dimensions.</p>
-------------------	--

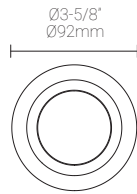
Mounting Options & Dimensions

LED Insert Dimensions

Fixture



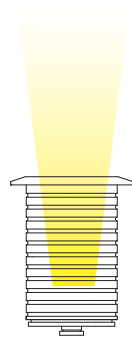
Top View



3D View

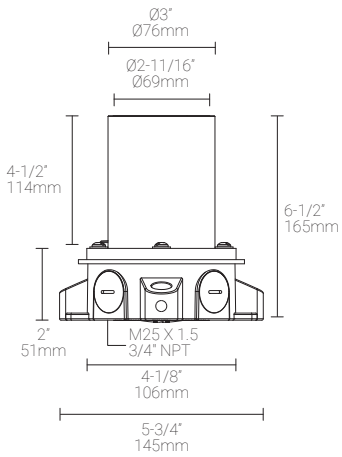


Beam

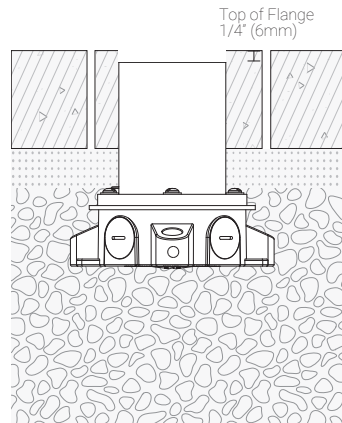


In-ground Installation (shown with MP Lighting Back Box | Order Code: **EBX-OCT1-DPMA**)

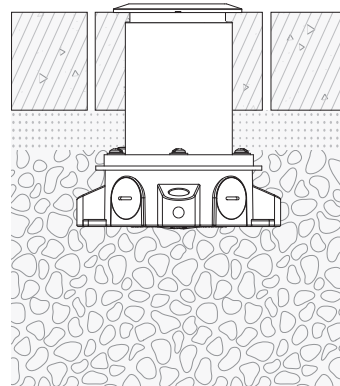
Box with Paving Stone Flange



Box with Paving Stone Flange:
During Concrete Installation



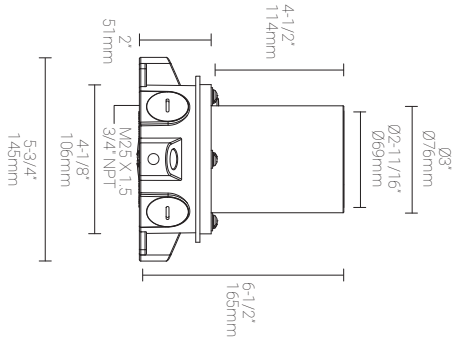
Box with Paving Stone Flange:
Complete Concrete Installation



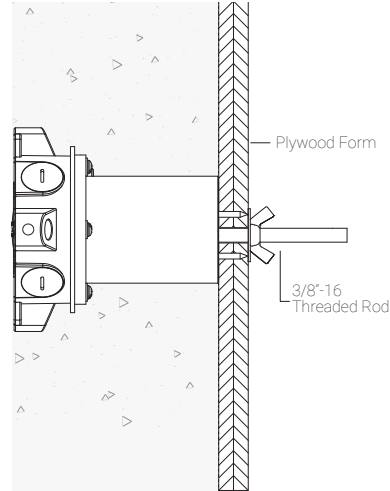
Mounting Kits

MK1(MK1-OCT1-D): Ceiling, Wall, and Stair Riser Installation (shown with MP Lighting Back Box | Order Code: EBX-OCT1-DPMA)

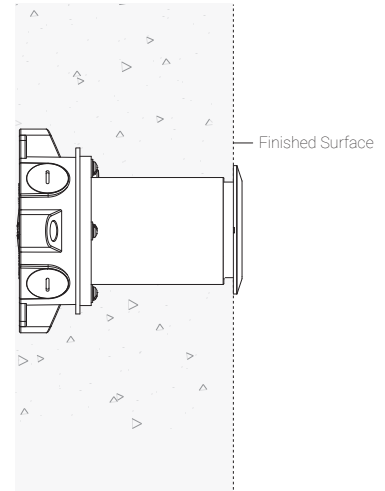
Back Box & Paving Stone Flange



MK1 with Back Box & Paving Stone Flange: During Installation

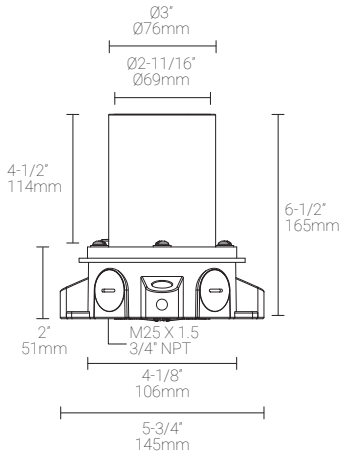


Back Box & Paving Stone Flange: Complete Installation

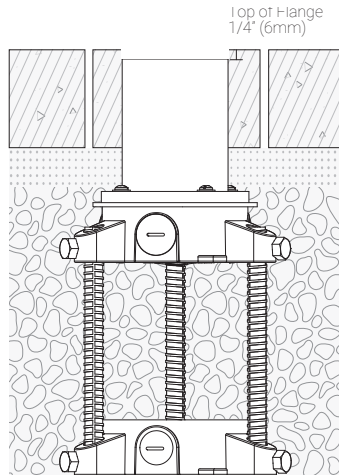


MK3: In-ground Installation (shown with MP Lighting Back Box | Order Code: EBX-OCT1-DPMA)

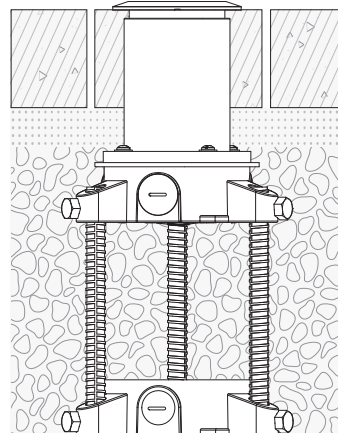
Back Box & Paving Stone Flange



MK3 with Paving Stone Flange & Back Box: During Installation



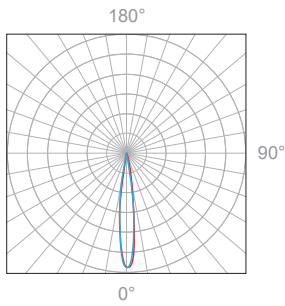
MK3 with Paving Stone Flange & Back Box: Complete Installation



Rebar supplied by others.
Recommended size: Ø1/2"

8W, 3000K, 90+ CRI, Sliver Relector, Clear Lens

Polar Candela Distribution



Beam Width: 8°

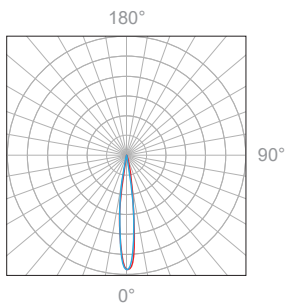


Illuminance at a Distance

Distance		Center Beam	Beam Width			
1.5ft	0.46m	1175fc	0.2ft	0.06m	0.2ft	0.06m
3.0ft	0.91m	294fc	0.4ft	0.12m	0.4ft	0.12m
4.5ft	1.37m	131fc	0.7ft	0.21m	0.6ft	0.18m
6.0ft	1.83m	73.4fc	0.9ft	0.27m	0.9ft	0.27m
7.5ft	2.29m	47.0fc	1.1ft	0.33m	1.1ft	0.33m
9.0ft	2.74m	36.6fc	1.3ft	0.39m	1.3ft	0.39m

Delivered Lumen: 75.8lm
 ■ Vertical Beam Spread: 8.4°
 ■ Horizontal Beam Spread: 8.2°

Polar Candela Distribution



Beam Width: 12°

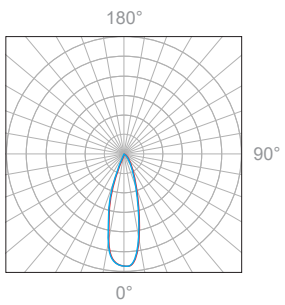


Illuminance at a Distance

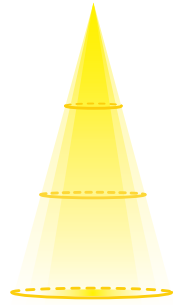
Distance		Center Beam	Beam Width			
3.0ft	0.91m	285fc	1.0ft	0.30m	1.0ft	0.30m
6.0ft	1.83m	71.2fc	2.0ft	0.61m	2.0ft	0.61m
9.0ft	2.74m	31.6fc	3.0ft	0.91m	3.0ft	0.91m
12ft	3.66m	17.8fc	3.9ft	1.19m	3.9ft	1.19m
15ft	4.57m	11.4fc	4.9ft	1.49m	4.9ft	1.49m
18ft	5.49m	7.91fc	5.9ft	1.80m	5.9ft	1.80m

Delivered Lumen: 386.9lm
 ■ Vertical Beam Spread: 18.6°
 ■ Horizontal Beam Spread: 18.6°

Polar Candela Distribution



Beam Width: 30°

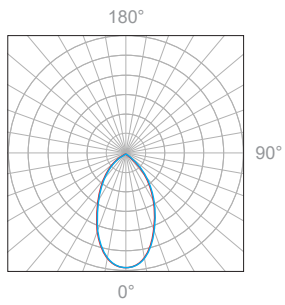


Illuminance at a Distance

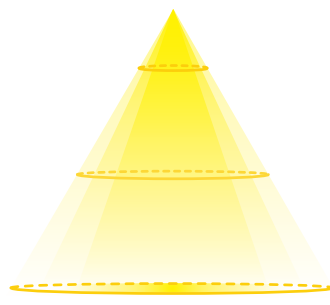
Distance		Center Beam	Beam Width			
3.0ft	0.91m	113fc	1.6ft	0.49m	1.6ft	0.49m
6.0ft	1.83m	28.3fc	3.2ft	0.98m	3.2ft	0.98m
9.0ft	2.74m	21.6fc	4.8ft	1.46m	4.8ft	1.46m
12ft	3.66m	7.08fc	6.4ft	1.95m	6.4ft	1.95m
15ft	4.57m	4.53fc	8.0ft	2.44m	8.0ft	2.44m
18ft	5.49m	3.15fc	9.6ft	2.93m	9.6ft	2.93m

Delivered Lumen: 339.1lm
 ■ Vertical Beam Spread: 30°
 ■ Horizontal Beam Spread: 30°

Polar Candela Distribution



Beam Width: 60°

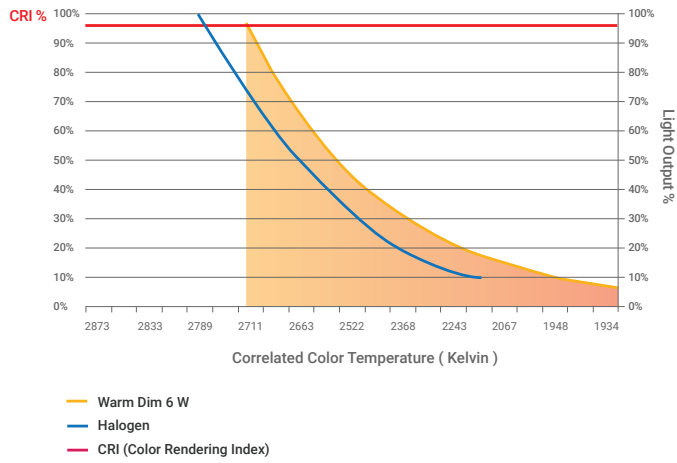


Illuminance at a Distance

Distance		Center Beam	Beam Width			
1.5ft	0.46m	170fc	1.7ft	0.52m	1.7ft	0.52m
3.0ft	0.91m	42.4fc	3.3ft	1.06m	3.3ft	1.06m
4.5ft	1.37m	18.9fc	5.0ft	1.52m	5.0ft	1.52m
6.0ft	1.83m	10.6fc	6.6ft	2.01m	6.6ft	2.01m
7.5ft	2.29m	6.79fc	8.3ft	2.53m	8.3ft	2.53m
9.0ft	2.74m	4.71fc	10ft	3.05m	10ft	3.05m

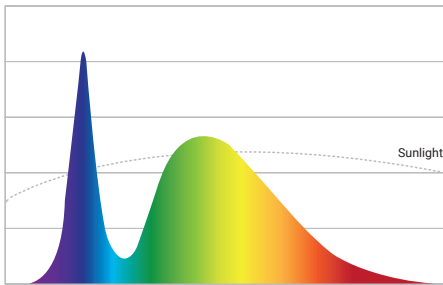
Delivered Lumen: 425.3lm
 ■ Vertical Beam Spread : 57.9°
 ■ Horizontal Beam Spread : 57.9°

Warm Dim VS. Halogen

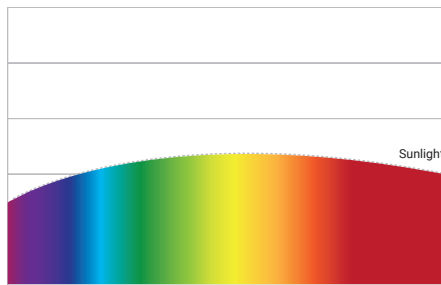


LED Colour Spectrum Comparison

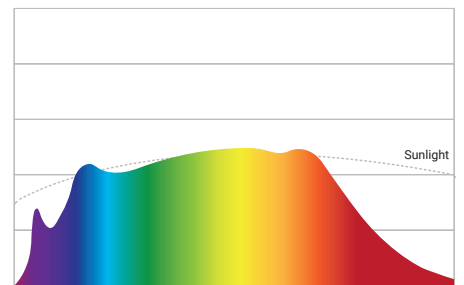
Coventional LED



Sunlight

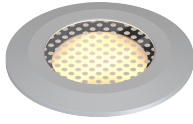


MP Dimmable Full Spectrum LED



Appendix

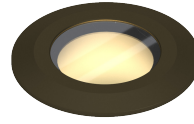
Aluminum Finishes



MA matte clear anodized with anti-slip lens

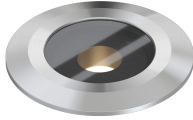


BA black anodized



BZ bronze powder coated

Stainless Steel Finishes

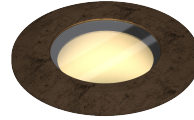


S6 stainless steel 316 (shown with super spot)



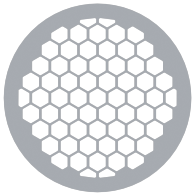
BT0 black stainless steel

Other Materials

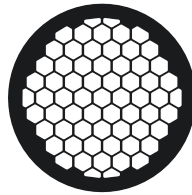


ABZ antique bronze

Accessories



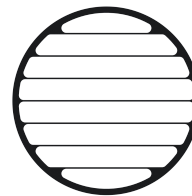
HM2 hex louver, matte clear anodized



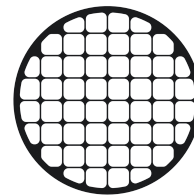
HB2 hex louver, black anodized



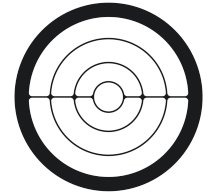
AB2 angled louver, black anodized



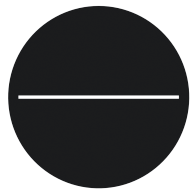
SB2 straight louver, black anodized



QB2 square louver, black anodized



RB2 ring louver, black anodized



NB2 narrow beam louver, black

Lens Options



C clear lens

F frosted

A anti-slip