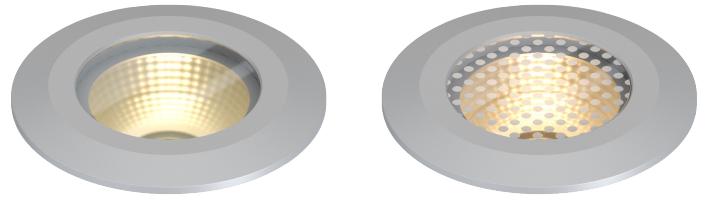


# L366

EXTERIOR | INTERIOR

In-grade | For ground, ceilings, walls, and stairs

• Wet, Damp, and Dry location



## Ordering Information

Clear Form

Date : \_\_\_\_\_

Quantity : \_\_\_\_\_

Project : \_\_\_\_\_

Note : \_\_\_\_\_

Type : \_\_\_\_\_

## Specifications

Luminaire | Example Code: L366-8-W30H-N-S-C-MK3-S-S6

Product	Version	CCT & CRI	Beam Angle	Reflector Colour	Lens	Mounting Kit <sup>2</sup> (optional)	Flange & Back Box <sup>3,4,5</sup>	Trim Finish <sup>6</sup>
L366	8							
	8 8W	W27H 2700K 90+ W30H 3000K 90+	S spot 12° N narrow flood 30° W wide flood 60°	S silver B black	C clear F frosted A anti-slip <sup>1</sup>	MK1 vertical surface MK3 in-ground	<b>Octagonal Aluminum Back Box with:</b> S standard flange depth: 2-1/2" (65mm) P paving stone flange depth: 4-1/2" (114mm) NB no back box or flange	<b>Aluminum Finishes:</b> MA matte clear anodized BA black anodized BZ bronze powder coated  <b>Stainless Steel Finishes:</b> S6 stainless steel 316 BT0 black stainless steel  <b>Other Materials:</b> ABZ antique bronze

## System Components (Ordered Separately)

Remote Driver : \_\_\_\_\_

\* Consult MP Lighting Website or Factory.

## Important Notes

### Specification

- Anti-slip is only available with Clear lens. Refer to Appendix or MP Lighting website for images and details.
- Mounting kit is ordered separately. Please consult factory.
- For components included, refer to Luminaire Construction section.
- For custom box and flange options, consult MP factory.
- Paving stone flange is also recommended for a better cement/concrete flow.
- Different finish options are only applicable to trim ring and not for LED module housing. Refer to Appendix or MP Lighting website for complete look of luminaire with different trim finish options.

### Warranty Notes & Disclaimer

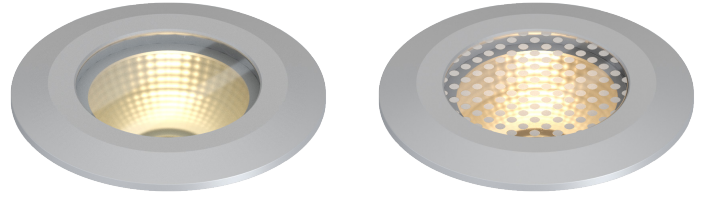
Malfunction and damage to product due to incompatible dimming system or misuse will not be covered under warranty. Consult MP Lighting for recommended drivers. If the fixture has an option to be installed with a dimming control system, consult a dimming system manufacturer with minimum load before installing. MP Lighting reserves the right, at its sole discretion, at any time and without notice, to make design changes to any of our products. Consult MP Lighting website for most updated documentation.

# L366

EXTERIOR | INTERIOR

In-grade | For ground, ceilings, walls, and stairs

Wet, Damp, and Dry location



## Performance

Wattage	Forward Current	Power Consumption Budget per fixture (including driver)	LED output (Source)	Fixture Output (Delivered)
8W	700mA	8.0W	880 lm	425-443 lm

## Application

Environment	Dry / Damp / Wet Location approved. IP 66.
Drive Over Rating	9,700 lbs (4,400 kg)
Mounting	<p><b>Recessed:</b> Designed to be cast into earth, gravel, or concrete or inserted into paving stones or pavers. Included backbox, flange and level for direct burial or casting applications.</p> <p><b>MK1 mounting kit (optional):</b> Recommended for easy installation on vertical surfaces (e.g. stair risers, walls), and downward-facing surfaces (e.g. ceilings, soffits). See "Mounting Options &amp; Dimensions," or visit <a href="#">MK1</a></p> <p><b>MK3 mounting kit (optional):</b> Recommended for thicker concrete slab and paving stone in-ground installation. Custom rectangular electrical box option is available for stair riser&amp;wall installation. See "Mounting Options &amp; Dimensions," or visit <a href="#">MK3</a></p>

## Electrical

Power Supplies	Remote LED drivers (120-277V AC input, <b>constant current output</b> ): Fixtures to be wired in series. Remote LED drivers (120-277V AC input, <b>constant voltage output</b> ): Fixtures to be wired in parallel.
Control	<p><b>On/off control</b></p> <p><b>Dimming:</b> ELV or 0-10V dimming with appropriate drivers</p> <p><b>Other options (consult factory):</b> TRIAC/MLV, DMX, DALI, Casambi, Power over Ethernet</p>

## Luminaire Construction

LED Light Source	<p><b>W27H</b> = CCT: 2700K, CRI (Ra): 90+, Colour Consistency: 2SDCM</p> <p><b>W30H</b> = CCT: 3000K, CRI (Ra): 90+, Colour Consistency: 2SDCM</p>
Weight	2.56 lbs (1.16 kg). Typical Aluminum Insert & Back Box only.
Material	<b>Fixture:</b> machined marine-grade aluminum, machined stainless steel (316) or antique bronze with tempered glass
Supplied with	<p><b>Standard installation housing:</b> Comes with an octagonal back box, a flange, an integral leveling device, a plastic cap, gel filled wire nuts, and silicone grease.</p> <p><b>Cable:</b> 6" (152mm) factory-installed wire lead</p>
Warranty & LED Life	5 years limited warranty Estimated useful life of LED is 50,000 hours.

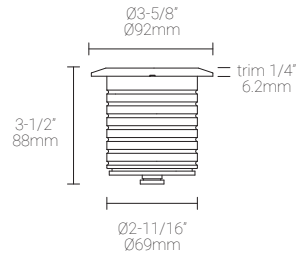
## Ordered Separately

System Components	<p><b>Power supplies:</b> remote driver Please consult factory or visit <a href="#">Recommended Drivers</a> for available driver options.</p> <p><b>Mounting kits:</b> MK1 or MK3 (custom length rebar in MK3 supplied by contractors)</p> <p><b>Custom back boxes:</b> see Pg.3- Mounting Options &amp; Dimensions.</p>
-------------------	--

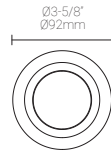
Mounting Options & Dimensions

LED Insert Dimensions

Fixture



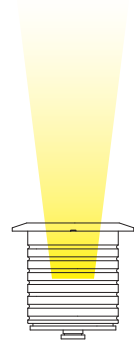
Top View



3D View

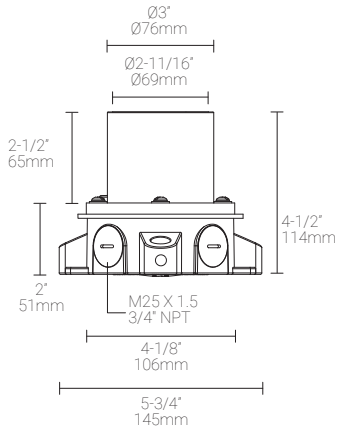


Beam

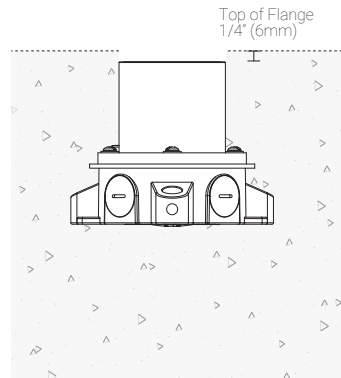


In-ground Installation (shown with MP Lighting Back Box | Order Code: **EBX-OCT1-DSMA**)

Box with Standard Flange



Box with Standard Flange:  
During Concrete Installation

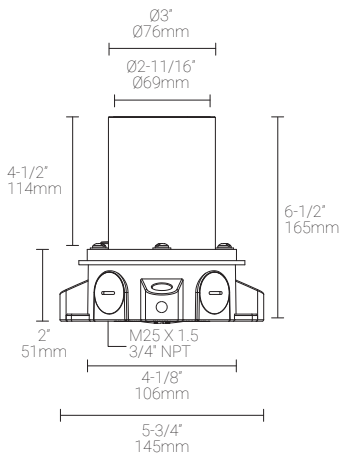


Box with Standard Flange:  
Complete Concrete Installation

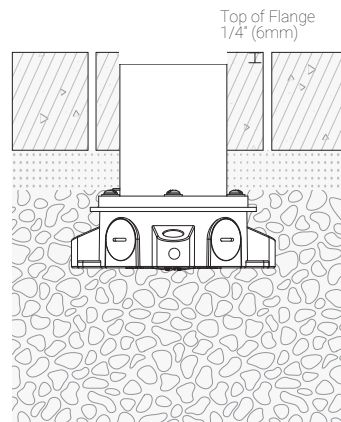


In-ground Installation (shown with MP Lighting Back Box | Order Code: **EBX-OCT1-DPMA**)

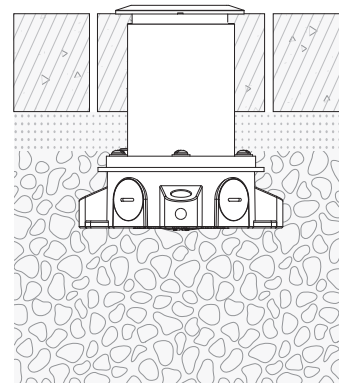
Box with Paving Stone Flange:



Box with Paving Stone Flange:  
During Paving Stone Installation



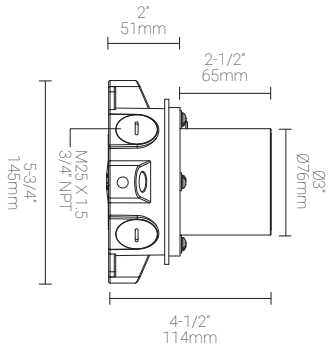
Box with Paving Stone Flange:  
Complete Paving Stone Installation



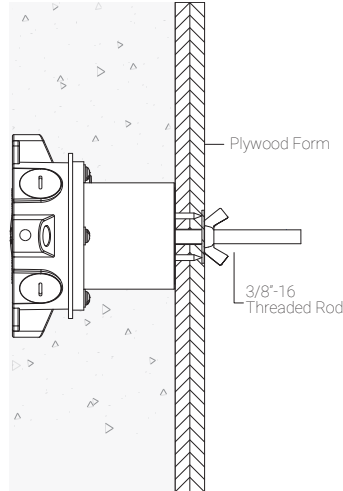
Mounting Kits

**MK1: Ceiling, Wall, and Stair Riser Installation (shown with MP Lighting Back Box | Order Code: EBX-OCT1-DSMA)**

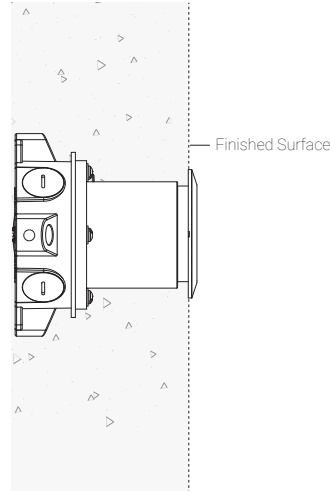
Box with Standard Flange



Box with Standard Flange & MK1:  
During Installation

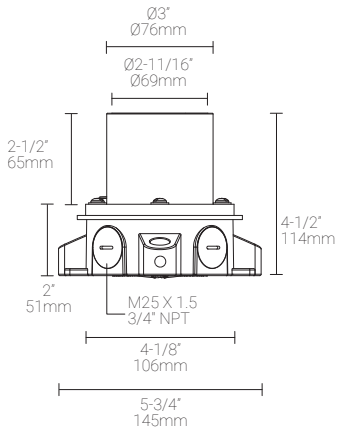


Box with Standard Flange:  
Complete Installation

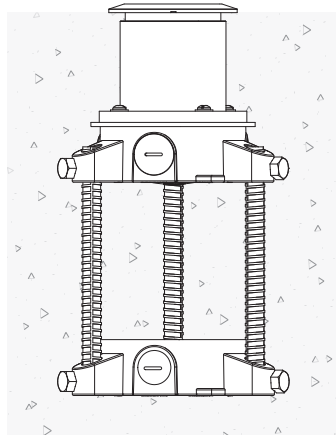


**MK3: In-ground Installation (shown with MP Lighting Back Box | Order Code: EBX-OCT1-DSMA or EBX-OCT1-DPMA )**

Standard Flange and Back Box  
(EBX-OCT1-DSMA)

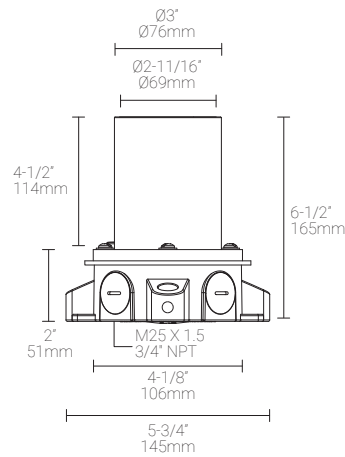


MK3 with Standard Flange and  
Back Box

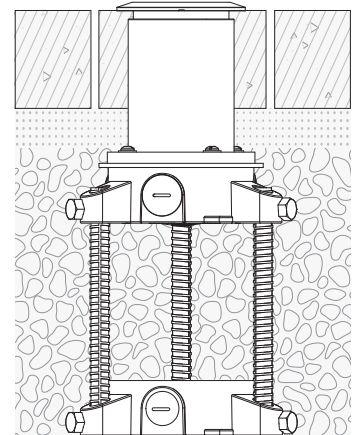


Rebar supplied by others.  
Recommended size: Ø1/2"

Paving Stone Flange and Back  
Box (EBX-OCT1-DPMA)



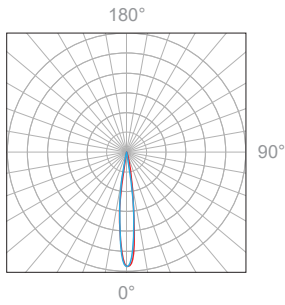
MK3 with Paving Stone Flange  
and Back Box



Rebar supplied by others.  
Recommended size: Ø1/2"

8W, 3000K, 90+ CRI, Sliver Relector, Clear Lens

Polar Candela Distribution



Beam Width: 12°

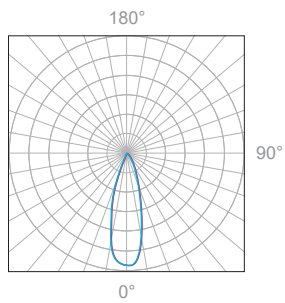


Illuminance at a Distance

Distance		Center Beam	Beam Width			
1.5ft	0.46m	4300fc	0.5ft	0.15m	0.5ft	0.15m
3.0ft	0.91m	936fc	1.0ft	0.30m	1.0ft	0.30m
4.5ft	1.37m	394fc	1.5ft	0.46m	1.5ft	0.46m
6.0ft	1.83m	200fc	2.0ft	0.61m	2.0ft	0.61m
7.5ft	2.29m	132fc	2.5ft	0.76m	2.5ft	0.76m
9.0ft	2.74m	84fc	3.1ft	0.94m	3.1ft	0.94m
12ft	3.66m	46fc	4.1ft	1.25m	4.1ft	1.25m
15ft	4.57m	21fc	5.1ft	1.55m	5.1ft	1.55m
18ft	5.49m	20fc	6.1ft	1.86m	6.1ft	1.86m

Delivered Lumen: 425lm  
 ■ Vertical Beam Spread: 18.5°  
 ■ Horizontal Beam Spread: 18.5°

Polar Candela Distribution



Beam Width: 30°

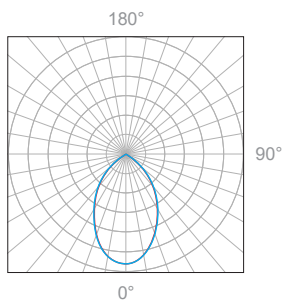


Illuminance at a Distance

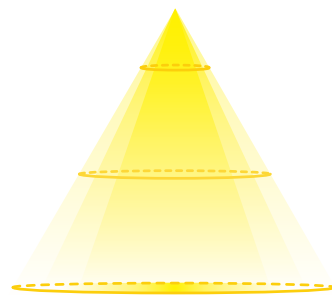
Distance		Center Beam	Beam Width			
1.5ft	0.46m	811fc	0.8ft	0.24m	0.8ft	0.24m
3.0ft	0.91m	185fc	1.6ft	0.49m	1.6ft	0.49m
4.5ft	1.37m	82fc	2.4ft	0.73m	2.4ft	0.73m
6.0ft	1.83m	44fc	3.2ft	0.98m	3.2ft	0.98m
7.5ft	2.29m	29fc	3.9ft	1.19m	3.9ft	1.19m
9.0ft	2.74m	20fc	4.7ft	1.43m	4.7ft	1.43m
12ft	3.66m	11fc	6.3ft	1.92m	6.3ft	1.92m
15ft	4.57m	7.3fc	7.9ft	2.41m	7.9ft	2.41m
18ft	5.49m	5.1fc	9.5ft	2.90m	9.5ft	2.90m

Delivered Lumen: 443lm  
 ■ Vertical Beam Spread: 30.1°  
 ■ Horizontal Beam Spread: 30.1°

Polar Candela Distribution



Beam Width: 60°



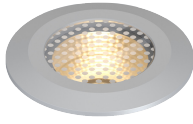
Illuminance at a Distance

Distance		Center Beam fc	Beam Width			
3.0ft	0.91m	50.8fc	3.5ft	1.07m	3.4ft	1.36m
6.0ft	1.83m	12.7fc	6.9ft	2.10m	6.9ft	2.10m
9.0ft	2.74m	5.64fc	10.4ft	3.17m	10.3ft	3.14m
12.0ft	3.66m	3.17fc	13.8ft	4.21m	13.8ft	4.21m
15.0ft	4.57m	2.03fc	17.3ft	5.27m	17.2ft	5.24m
18.0ft	5.49m	1.41fc	20.7ft	6.31m	20.6ft	6.28m

Delivered Lumen: 292 lm  
 ■ Vertical Beam Spread: 59.9°  
 ■ Horizontal Beam Spread: 59.7°

Appendix

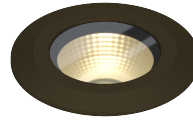
Aluminum Finishes



MA matte clear anodized with anti-slip lens



BA black anodized



BZ bronze powder coated

Stainless Steel Finishes

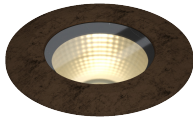


S6 stainless steel 316



BT0 black stainless steel

Other Materials



ABZ antique bronze

Lens Options



C clear lens

F frosted

A anti-slip