

L368

EXTERIOR | INTERIOR

In-grade | For ground, ceilings, walls, and stairs

- Wet, Damp, and Dry location



Ordering Information

Clear Form

Date : _____

Quantity : _____

Project : _____

Note : _____

Type : _____

Specifications

Luminaire | Example Code: L368-8-W30H-N-C-MK3-S-S6

Product	Version	CCT & CRI	Beam Angle	Lens	Mounting Kit ¹ (optional)	Flange & Back Box ^{2,3,4}	Trim Finish
L368							S6
	4 4W 8 8W	W27H 2700K 90+ W30H 3000K 90+	S spot 12° N narrow flood 30°	C clear F frosted	MK1 vertical surface MK3 in-ground	Octagonal Aluminum Back Box with: S standard flange depth: 2-1/2" (65mm) P paving stone flange depth: 4-1/2" (114mm) NB no back box or flange	Stainless Steel Finish: S6 stainless steel 316

System Components (Ordered Separately)

Remote Driver : _____

* Consult MP Lighting Website or Factory.

Important Notes

Specification

- Mounting kit is ordered separately. Please consult factory.
- For components included, refer to Luminaire Construction section.
- For custom box and flange options, consult MP factory.
- Paving stone flange is also recommended for a better cement/concrete flow.

Warranty Notes & Disclaimer

Malfunction and damage to product due to incompatible dimming system or misuse will not be covered under warranty. Consult MP Lighting for recommended drivers. If the fixture has an option to be installed with a dimming control system, consult a dimming system manufacturer with minimum load before installing. MP Lighting reserves the right, at its sole discretion, at any time and without notice, to make design changes to any of our products. Consult MP Lighting website for most updated documentation.

L368

EXTERIOR | INTERIOR

In-grade | For ground, ceilings, walls, and stairs

- Wet, Damp, and Dry Location



Performance

Wattage	Forward Current	Power Consumption Budget per fixture (including driver)	LED output (Source)	Fixture Output (Delivered)
4W	350mA	4.0W	440 lm	140-164 lm
8W	700mA	8.0W	880 lm	247-275 lm

Application

Environment	Wet / Damp / Dry Location approved. IP 66.
Drive Over Rating	9,700 lbs (4,400 kg)
Mounting	<p>Recessed: Designed to be cast into earth, gravel, or concrete or inserted into paving stones or pavers. Included backbox, flange and level for direct burial or casting applications.</p> <p>MK1 mounting kit (optional): Recommended for easy installation on vertical surfaces (e.g. stair risers, walls), and downward-facing surfaces (e.g. ceilings, soffits). See "Mounting Options & Dimensions," or visit MK1</p> <p>MK3 mounting kit (optional): Recommended for thicker concrete slab and paving stone in-ground installation. Custom rectangular electrical box option is available for stair riser&wall installation. See "Mounting Options & Dimensions," or visit MK3</p>

Electrical

Power Supplies	Remote LED drivers (120-277V AC input, constant current output): Fixtures to be wired in series. Remote LED drivers (120-277V AC input, constant voltage output): Fixtures to be wired in parallel.
Control	<p>On/off control</p> <p>Dimming: ELV or 0-10V dimming with appropriate drivers</p> <p>Other options (consult factory): TRIAC/MLV, DMX, DALI, Casambi, Power over Ethernet</p>

Luminaire Construction

LED Light Source	<p>W27H = CCT: 2700K, CRI (Ra): 90+, Colour Consistency: 2SDCM</p> <p>W30H = CCT: 3000K, CRI (Ra): 90+, Colour Consistency: 2SDCM</p>
Weight	2.56 lbs (1.16 kg). Typical Aluminum Insert & Back Box only.
Material	Fixture: machined stainless steel (316) with tempered glass
Supplied with	<p>Standard installation housing: Comes with an octagonal back box, a flange, an integral leveling device, a plastic cap, gel filled wire nuts, and silicone grease.</p> <p>Cable: 6" (152mm) factory-installed wire lead</p>
Warranty & LED Life	5 years limited warranty Estimated useful life of LED is 50,000 hours.

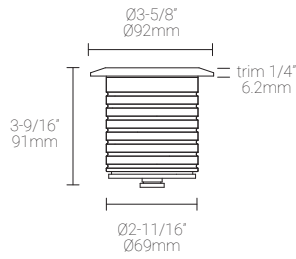
Ordered Separately

System Components	<p>Power supplies: remote driver Please consult factory or visit Recommended Drivers for available driver options.</p> <p>Mounting kits: MK1 or MK3 (custom length rebar in MK3 supplied by contractors)</p>
-------------------	--

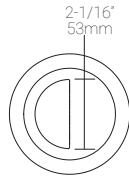
Mounting Options & Dimensions

LED Insert Dimensions

Fixture



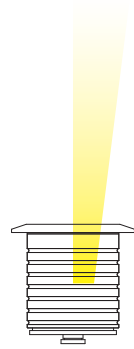
Top View



3D View

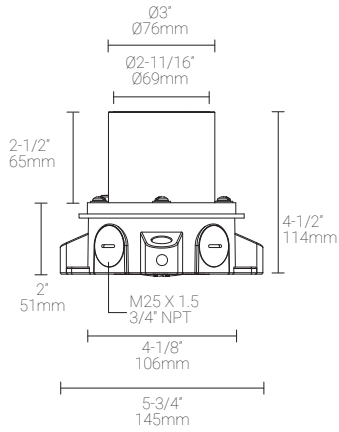


Beam

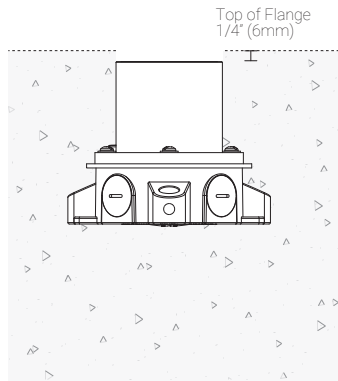


In-ground Installation (shown with MP Lighting Back Box | Order Code: **EBX-OCT1-DSMA**)

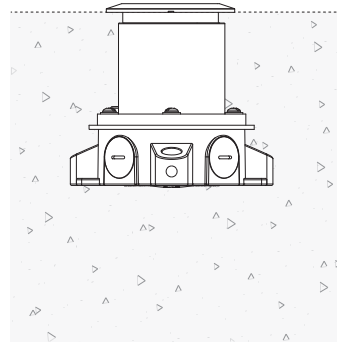
Box with Standard Flange



Box with Standard Flange:
During Concrete Installation

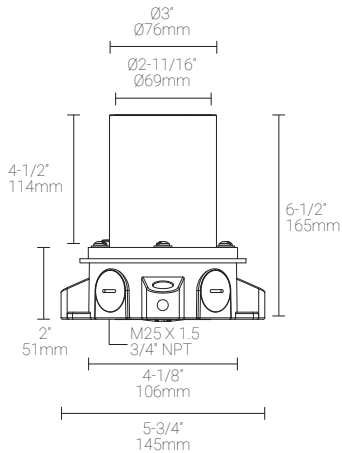


Box with Standard Flange:
Complete Concrete Installation

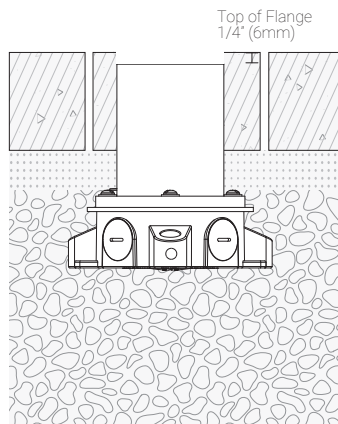


In-ground Installation (shown with MP Lighting Back Box | Order Code: **EBX-OCT1-DPMA**)

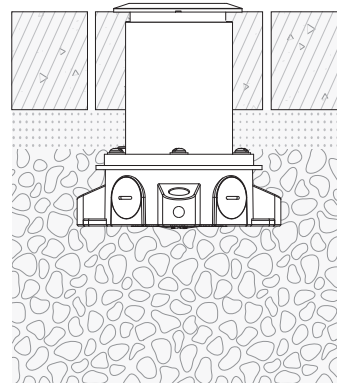
Box with Paving Stone Flange:



Box with Paving Stone Flange:
During Paving Stone Installation



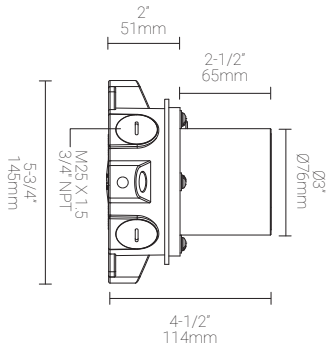
Box with Paving Stone Flange:
Complete Paving Stone Installation



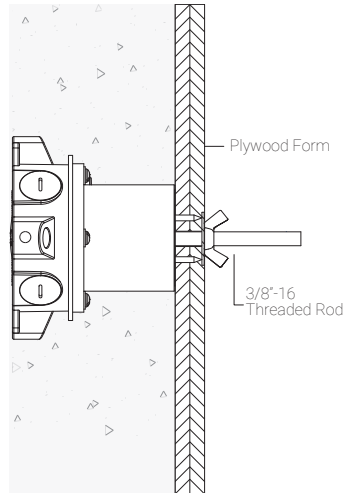
Mounting Kits

MK1: Ceiling, Wall, and Stair Riser Installation (shown with MP Lighting Back Box | Order Code: [EBX-OCT1-DSMA](#))

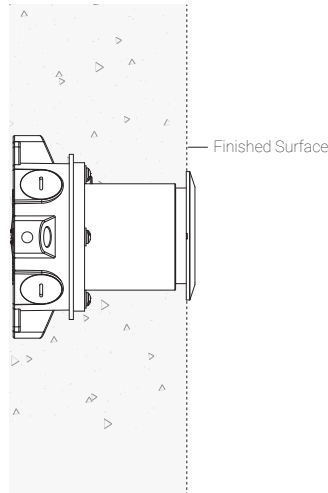
Box with Standard Flange



Box with Standard Flange & MK1:
During Installation

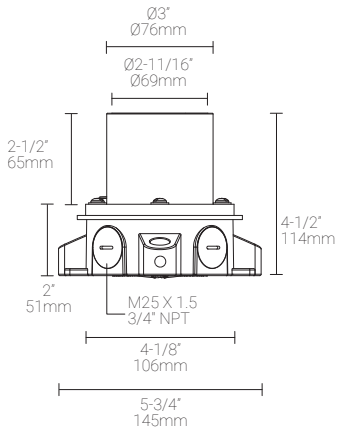


Box with Standard Flange:
Complete Installation

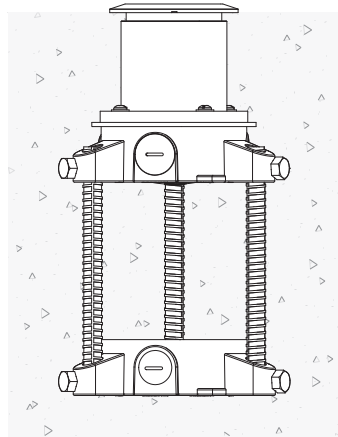


MK3: In-ground Installation (shown with MP Lighting Back Box | Order Code: [EBX-OCT1-DSMA](#) or [EBX-OCT1-DPMA](#))

Standard Flange and Back Box
([EBX-OCT1-DSMA](#))

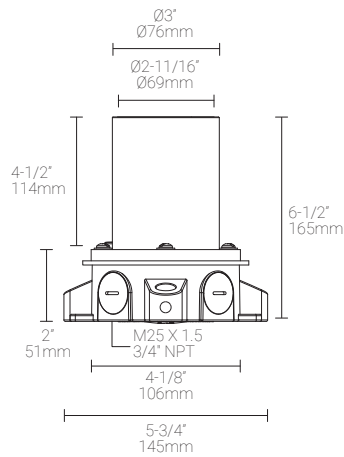


MK3 with Standard Flange and
Back Box

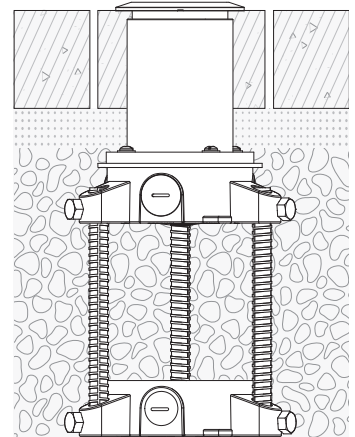


Rebar supplied by others.
Recommended size: Ø1/2"

Paving Stone Flange and Back
Box ([EBX-OCT1-DPMA](#))



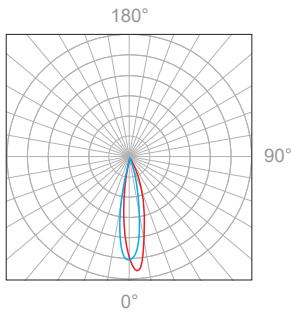
MK3 with Paving Stone Flange
and Back Box



Rebar supplied by others.
Recommended size: Ø1/2"

4W, 3000K, 90+ CRI, Clear Lens

Polar Candela Distribution



Beam Width: 12°

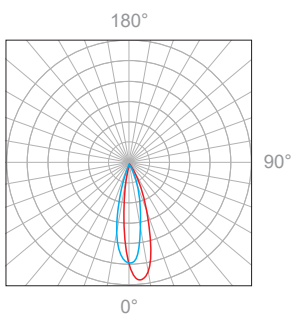


Illuminance at a Distance

Distance		Center Beam	Beam Width			
1.5ft	0.46m	1394fc	0.5ft	0.15m	0.5ft	0.15m
3.0ft	0.91m	347fc	1.0ft	0.30m	1.0ft	0.30m
4.5ft	1.37m	150fc	1.5ft	0.46m	1.5ft	0.46m
6.0ft	1.83m	85fc	2.0ft	0.61m	2.0ft	0.61m
7.5ft	2.29m	52fc	2.5ft	0.76m	2.5ft	0.76m
9.0ft	2.74m	36fc	3.1ft	0.94m	3.1ft	0.94m
12ft	3.66m	21fc	4.1ft	1.25m	4.1ft	1.25m
15ft	4.57m	13fc	5.1ft	1.55m	5.1ft	1.55m
18ft	5.49m	9fc	6.1ft	1.86m	6.1ft	1.86m

Delivered Lumen: 140 lm
 ■ Vertical Beam Spread: 16.5°
 ■ Horizontal Beam Spread: 15.7°

Polar Candela Distribution



Beam Width: 30°



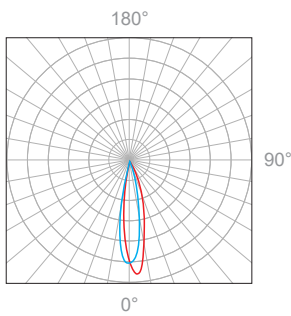
Illuminance at a Distance

Distance		Center Beam	Beam Width			
1.5ft	0.46m	222fc	0.8ft	0.24m	0.8ft	0.24m
3.0ft	0.91m	56fc	1.6ft	0.49m	1.6ft	0.49m
4.5ft	1.37m	24fc	2.4ft	0.73m	2.4ft	0.73m
6.0ft	1.83m	14fc	3.2ft	0.98m	3.2ft	0.98m
7.5ft	2.29m	8.7fc	3.9ft	1.19m	3.9ft	1.19m
9.0ft	2.74m	6.2fc	4.7ft	1.43m	4.7ft	1.43m
12ft	3.66m	5.6fc	6.3ft	1.92m	6.3ft	1.92m
15ft	4.57m	2.3fc	7.9ft	2.41m	7.9ft	2.41m
18ft	5.49m	1.6fc	9.5ft	2.90m	9.5ft	2.90m

Delivered Lumen: 164 lm
 ■ Vertical Beam Spread: 30.2°
 ■ Horizontal Beam Spread: 29.8°

8W, 3000K, 90+ CRI, Clear Lens

Polar Candela Distribution



Beam Width: 12°

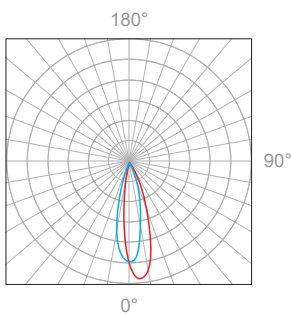


Illuminance at a Distance

Distance		Center Beam	Beam Width			
1.5ft	0.46m	2400fc	0.5ft	0.15m	0.5ft	0.15m
3.0ft	0.91m	600fc	1.0ft	0.30m	1.0ft	0.30m
4.5ft	1.37m	260fc	1.5ft	0.46m	1.5ft	0.46m
6.0ft	1.83m	147fc	2.0ft	0.61m	2.0ft	0.61m
7.5ft	2.29m	93fc	2.5ft	0.76m	2.5ft	0.76m
9.0ft	2.74m	65fc	3.1ft	0.94m	3.1ft	0.94m
12ft	3.66m	36fc	4.1ft	1.25m	4.1ft	1.25m
15ft	4.57m	23fc	5.1ft	1.55m	5.1ft	1.55m
18ft	5.49m	16fc	6.1ft	1.86m	6.1ft	1.86m

Delivered Lumen: 246.4 lm
 ■ Vertical Beam Spread: 16.5°
 ■ Horizontal Beam Spread: 15.7°

Polar Candela Distribution



Beam Width: 30°



Illuminance at a Distance

Distance		Center Beam	Beam Width			
1.5ft	0.46m	429fc	0.8ft	0.24m	0.8ft	0.24m
3.0ft	0.91m	101fc	1.6ft	0.49m	1.6ft	0.49m
4.5ft	1.37m	44fc	2.4ft	0.73m	2.4ft	0.73m
6.0ft	1.83m	25fc	3.2ft	0.98m	3.2ft	0.98m
7.5ft	2.29m	15fc	3.9ft	1.19m	3.9ft	1.19m
9.0ft	2.74m	11fc	4.7ft	1.43m	4.7ft	1.43m
12ft	3.66m	6.3fc	6.3ft	1.92m	6.3ft	1.92m
15ft	4.57m	4.1fc	7.9ft	2.41m	7.9ft	2.41m
18ft	5.49m	2.9fc	9.5ft	2.90m	9.5ft	2.90m

Delivered Lumen: 288.8 lm
 ■ Vertical Beam Spread: 30.2°
 ■ Horizontal Beam Spread: 29.8°