

# L45

EXTERIOR | INTERIOR

Steplight | For walls, stairs, and walkways.

○ Damp and Dry location



Engraving Option

## Ordering Information

Clear Form

Date : \_\_\_\_\_

Quantity : \_\_\_\_\_

Project : \_\_\_\_\_

Note : \_\_\_\_\_

Type : \_\_\_\_\_

## Specifications

Luminaire | Example Code: L45-2-W30H-MK1-MA

Product	Wattage	CCT & CRI <sup>1</sup>	Mounting Kit <sup>2</sup> (optional)	Engraving (optional)	Finish
<b>L45</b>					<b>MA</b>
	1 1W	<b>W22S</b> 2200K 80+	<b>MK1</b> vertical surface	<b>E</b> engraving	<b>MA</b> matte clear anodized
	2 2W	<b>W27H</b> 2700K 90+			
		<b>W30H</b> 3000K 90+			
		<b>W35H</b> 3500K 90+			
		<b>W41H</b> 4100K 90+			

### System Components (Ordered Separately)

Remote Driver : \_\_\_\_\_

\* Consult MP Lighting Website or Factory.

### Important Notes

#### Specifications

1. Refer to pg.2 - for Light Quality & Colour Consistency details.
2. Mounting kit is ordered separately (consult factory). Back box must also be purchased with MK1 kit.

#### Warranty Notes & Disclaimer

Malfunction and damage to product due to incompatible dimming system or misuse will not be covered under warranty. Consult MP Lighting for recommended drivers. If the fixture has an option to be installed with a dimming control system, consult a dimming system manufacturer with minimum load before installing. MP Lighting reserves the right, at its sole discretion, at any time and without notice, to make design changes to any of our products. Consult MP Lighting website for most updated documentation.

# L45

EXTERIOR | INTERIOR

Steplight | For walls, stairs, and walkways.

○ Damp and Dry location



Engraving Option

## Performance

Wattage	Forward Current	Power Consumption Budget per fixture (including driver)	LED output (Source)	Fixture Output (Delivered)
1W	350mA	1.3W	110 lm	25.4 lm
2W	700mA	2.6W	220 lm	50.3 lm

## Application

Environment	Dry / Damp Location approved. IP 54.
Mounting	Mounts to horizontal oriented single gang box. <b>Box opening: Width   2-3/8" (60.33mm) X Height   2" (50.8mm)</b>  <b>MK1 mounting kit (optional):</b> Recommended for easy installation on vertical surfaces (e.g. stair risers, walls), and downward-facing surfaces (e.g. ceilings, soffits). See "Mounting Options & Dimensions," or visit <a href="#">MK1</a>

## Electrical

Power Supplies	Integral driver included (100-240V AC input). Compatible with remote driver for wet locations (not included).
Control	<b>On/off control</b> <b>Dimming (consult factory):</b> ELV or 0-10V dimming with appropriate drivers

## Luminaire Construction

LED Light Source	<b>W22S</b> = CCT: 2200K, CRI (Ra): 80+, Colour Consistency: 3SDCM <b>W27H</b> = CCT: 2700K, CRI (Ra): 90+, Colour Consistency: 2SDCM <b>W30H</b> = CCT: 3000K, CRI (Ra): 90+, Colour Consistency: 2SDCM <b>W35H</b> = CCT: 3500K, CRI (Ra): 90+, Colour Consistency: 2SDCM <b>W41H</b> = CCT: 4100K, CRI (Ra): 90+, Colour Consistency: 3SDCM
Standard Compliance	✓ADA-compliant    ✓WELL standard – Feature 58: Color Quality
Weight	1.5 lbs (0.68 kg). Typical Aluminum Fixture.
Material	<b>Fixture:</b> machined marine-grade aluminum
Supplied with	N/A
Warranty & LED Life	5 years limited warranty Estimated useful life of LED is 50,000 hours.

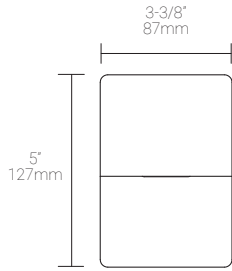
## Ordered Separately

System Components	<b>Power supplies:</b> remote driver Please consult factory or visit <a href="#">Recommended Drivers</a> for available driver options. <b>Mounting kit:</b> MK1 & Back Box <b>Custom back boxes:</b> see Pg.3- Mounting Options & Dimensions.
-------------------	--

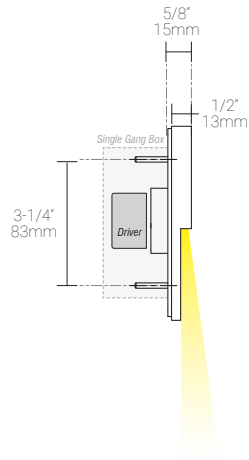
## Mounting Options & Dimensions

### LED Insert Dimensions

Fixture



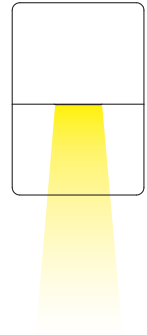
Side View



3D View



Beam

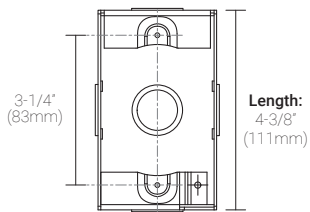


### Custom Rectangular Back Box for Wall Installation

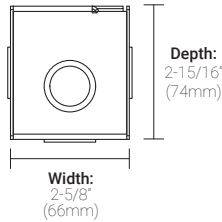
1. For wall installation, custom rectangular electrical boxes are available as alternative options.

#### MP Lighting Single Gang Back Box | Order Code: EBX-SGB1

Top View

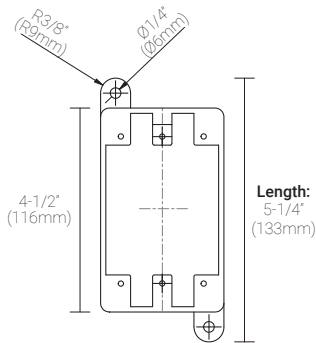


Side View

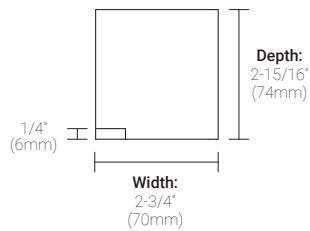


#### Scepter FD Back box | Order Code: EBX-SFD

Top View

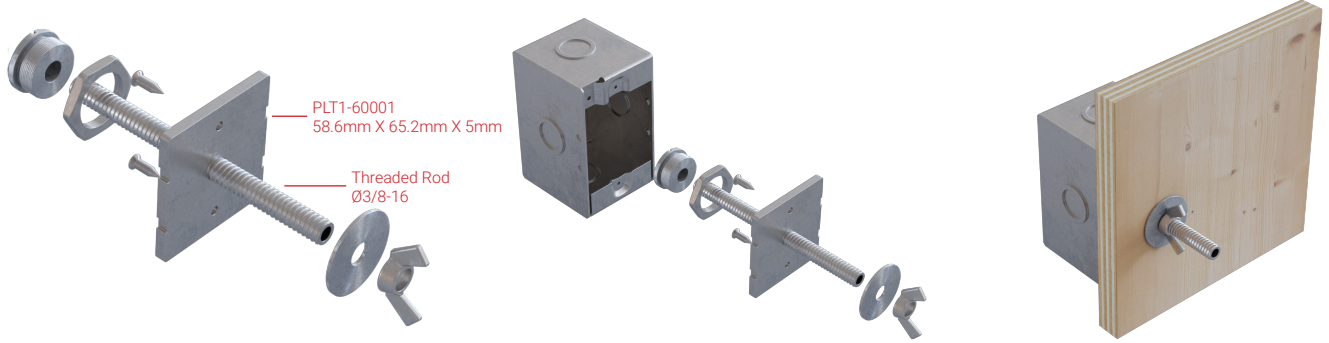


Side View



MK1 | For walls and stairs

Mounting Kit Exploding Views (*Back box not included*)



MK1-SGB1

MK1-SGB1 shown with EBX-SGB1

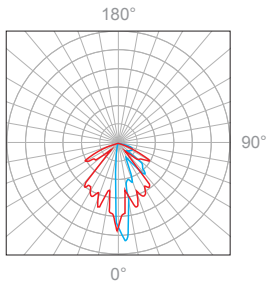
MK1-SGB1 shown with EBX-SGB1 and Plywood Form

Wall-mount Plywood Form Installation

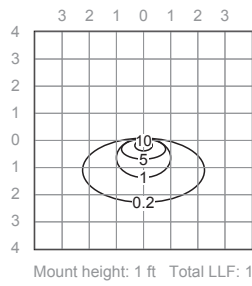


1W, 3000K, 90+ CRI

Polar Candela Distribution



Isofootcandle Plot



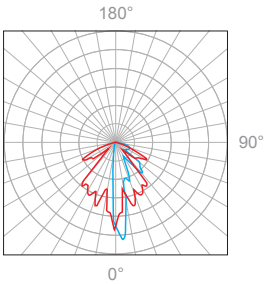
Illuminance at a Distance

Distance		Center Beam fc	Beam Width			
1.0ft	0.30m	29.2fc	0.3ft	0.09m	1.5ft	0.46m
2.0ft	0.61m	7.29fc	0.6ft	0.18m	3.1ft	0.94m
3.0ft	0.91m	3.24fc	0.9ft	0.27m	4.6ft	1.4m
4.0ft	1.22m	1.82fc	1.3ft	0.40m	6.2ft	1.89m
5.0ft	1.52m	1.17fc	1.6ft	0.49m	7.7ft	2.35m
6.0ft	1.83m	0.81fc	1.9ft	0.58m	9.3ft	2.83m

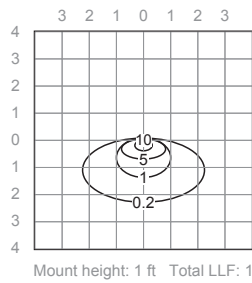
Delivered Lumen: 25.4lm  
 ■ Vertical Beam Spread: 17.9°  
 ■ Horizontal Beam Spread: 75.5°

2W, 3000K, 90+ CRI

Polar Candela Distribution



Isofootcandle Plot



Illuminance at a Distance

Distance		Center Beam fc	Beam Width			
1.0ft	0.30m	57.7fc	0.3ft	0.09m	1.5ft	0.46m
2.0ft	0.61m	14.4fc	0.6ft	0.18m	3.1ft	0.94m
3.0ft	0.91m	6.41fc	0.9ft	0.27m	4.6ft	1.4m
4.0ft	1.22m	3.60fc	1.3ft	0.40m	6.2ft	1.89m
5.0ft	1.52m	2.31fc	1.6ft	0.49m	7.7ft	2.35m
6.0ft	1.83m	1.60fc	1.9ft	0.58m	9.3ft	2.83m

Delivered Lumen: 50.3lm  
 ■ Vertical Beam Spread: 17.9°  
 ■ Horizontal Beam Spread: 75.5°