

L510

INTERIOR
Recessed Downlight

- Dry location



Shown with Spring Clip

Ordering Information

Clear Form

Date : _____

Quantity : _____

Project : _____

Note : _____

Type : _____

Specifications

Luminaire | Example Code: L510-2-W30H-N-BA-BA

Product	Wattage ¹	CCT & CRI ²	Beam Angle	Accessories ³ (optional)	Baffle Finish	Trim Finish ³
L510						
	1 1W 2 2W	Standard (80+) CRI: W22S 2200K 80+ High (90+) CRI: W27H 2700K 90+ W30H 3000K 90+ W35H 3500K 90+ W41H 4100K 90+	S spot 12° N narrow flood 30° F flood 45°	HM hex louver, matte anodized HB hex louver, black anodized	Aluminum Finishes: MA matte clear anodized BA black anodized WH white powder coated	Aluminum Finishes: MA matte clear anodized BA black anodized

System Components (Ordered Separately)

Remote Driver : _____

* Consult MP Lighting Website or Factory.

Important Notes

Specification

1. Available 120V. Consult factory for other voltage options.
2. Refer to pg.2 - for light quality and colour consistency details.
3. Refer to Appendix or MP Lighting website for complete look of luminaire with different finish options.

Warranty Notes & Disclaimer

Malfunction and damage to product due to incompatible dimming system or misuse will not be covered under warranty. Consult MP Lighting for recommended drivers. If the fixture has an option to be installed with a dimming control system, consult a dimming system manufacturer with minimum load before installing. MP Lighting reserves the right, at its sole discretion, at any time and without notice, to make design changes to any of our products. Consult MP Lighting website for most updated documentation.

L510

INTERIOR
Recessed Downlight

- Dry location



Shown with Spring Clip

Performance

Wattage	Forward Current	Power Consumption Budget per fixture (including driver)	LED output (Source)	Fixture Output (Delivered)
1W	350mA	1.5W	110 lm	69-74 lm
2W	700mA	3W	220 lm	107-133 lm

Application

Environment	Dry Location approved. IP 40.
Mounting	Surface mount mount to cabinet millwork with friction fit spring clips. Comes with 2' (610 mm) wire lead. Cut out size: 2" (610mm)

Electrical

Electrical	Remote LED drivers (120-277V AC input, constant current output). Fixtures to be wired in series.
Control	On/off control Dimming: ELV or 0-10V dimming with appropriate drivers Other options (consult factory): TRIAC/MLV, DMX, DALI, Casambi, Power over Ethernet

Luminaire Construction

LED Light Source	W22S = CCT: 2200K, CRI (Ra): 80+, Colour Consistency: 3SDCM W27H = CCT: 2700K, CRI (Ra): 90+, Colour Consistency: 2SDCM W30H = CCT: 3000K, CRI (Ra): 90+, Colour Consistency: 2SDCM W35H = CCT: 3500K, CRI (Ra): 90+, Colour Consistency: 2SDCM W41H = CCT: 4100K, CRI (Ra): 90+, Colour Consistency: 3SDCM
Weight	N/A
Material	Fixture: Solid anodized aluminum
Supplied with	Standard installation housing: Comes with universal crossbar and mounting screws (2).
Warranty & LED Life	5 years limited warranty Estimated useful life of LED is 50,000 hours.

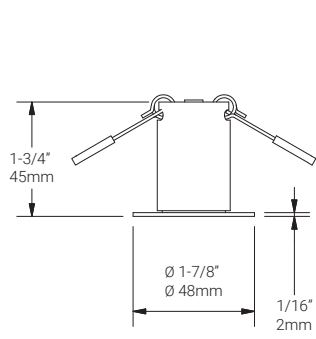
Ordered Separately

System Components	Power supplies: remote driver Please consult factory or visit Recommended Drivers for available driver options.
-------------------	---

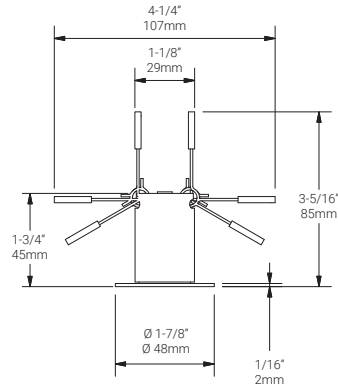
Mounting Options & Dimensions

LED Fixture Dimensions

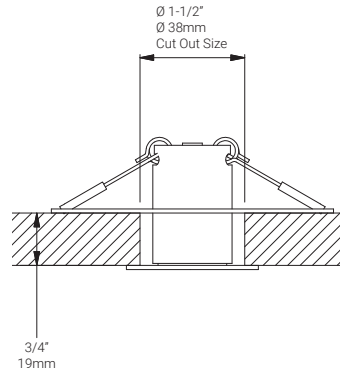
Fixture



Fixture with Spring Clips



Installed



3D View



Appendix

Aluminum Finishes



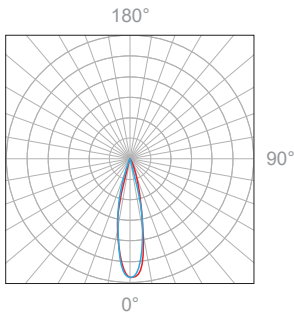
MA matte clear anodized



BA black anodized

1W, 3000K, 90+ CRI

Polar Candela Distribution



Beam Width: 12°

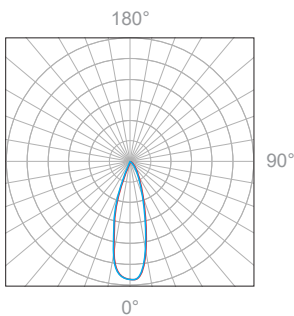


Illuminance at a Distance

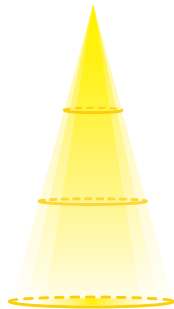
Distance		Center Beam fc	Beam Width			
3.0ft	0.91m	27.5fc	1.5ft	0.45m	1.5ft	0.45m
6.0ft	1.83m	6.88fc	3.0ft	0.91m	2.9ft	0.88m
9.0ft	2.74m	3.06fc	4.5ft	1.37m	4.4ft	1.34m
12ft	3.66m	1.72fc	6.0ft	1.82m	5.8ft	1.76m
15ft	4.57m	1.10fc	7.5ft	2.28m	7.3ft	2.22m
18ft	5.49m	0.76fc	8.9ft	2.71m	8.7ft	2.65m

Delivered Lumen: 77.5 lm
 ■ Vertical Beam Spread : 27.9°
 ■ Horizontal Beam Spread : 27.2°

Polar Candela Distribution



Beam Width: 30°

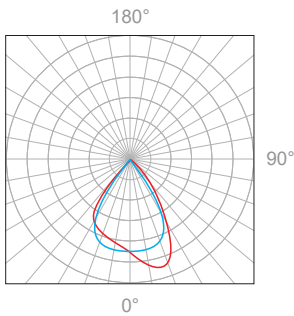


Illuminance at a Distance

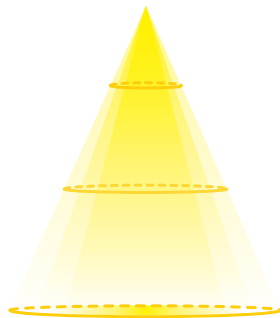
Distance		Center Beam fc	Beam Width			
3.0ft	0.91m	25.2fc	1.7ft	0.51m	1.6ft	0.48m
6.0ft	1.83m	6.30fc	3.4ft	1.03m	3.3ft	1.00m
9.0ft	2.74m	2.80fc	5.1ft	1.55m	4.9ft	1.49m
12ft	3.66m	1.57fc	6.8ft	2.07m	6.6ft	2.01m
15ft	4.57m	1.01fc	8.5ft	2.59m	8.2ft	2.50m
18ft	5.49m	0.70fc	10.1ft	3.07m	9.9ft	3.01m

Delivered Lumen: 82.2 lm
 ■ Vertical Beam Spread : 31.5°
 ■ Horizontal Beam Spread : 30.7°

Polar Candela Distribution



Beam Width: 45°



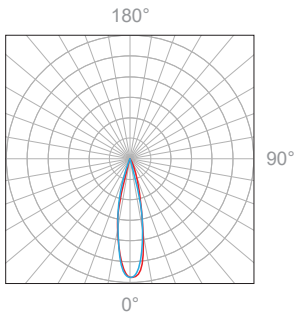
Illuminance at a Distance

Distance		Center Beam fc	Beam Width			
3.0ft	0.91m	9.29fc	2.9ft	0.88m	3.3ft	1.00m
6.0ft	1.83m	2.32fc	5.8ft	1.76m	6.5ft	1.98m
9.0ft	2.74m	1.03fc	8.8ft	2.68m	9.8ft	2.98m
12ft	3.66m	0.58fc	11.7ft	3.56m	13.0ft	3.96m
15ft	4.57m	0.37fc	14.6ft	4.45m	16.3ft	4.96m
18ft	5.49m	0.26fc	17.5ft	5.33m	19.6ft	5.97m

Delivered Lumen: 80.7 lm
 ■ Vertical Beam Spread : 51.9°
 ■ Horizontal Beam Spread : 57.1°

2W, 3000K, 90+ CRI

Polar Candela Distribution



Beam Width: 12°

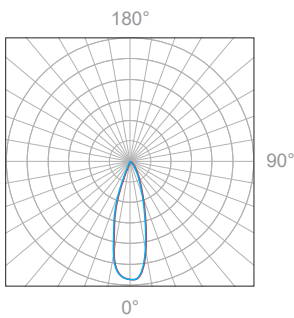


Illuminance at a Distance

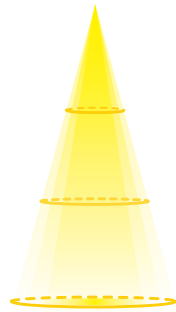
Distance		Center Beam fc	Beam Width			
3.0ft	0.91m	49.3fc	1.5ft	0.45m	1.4ft	0.42m
6.0ft	1.83m	12.3fc	3.0ft	0.91m	2.9ft	0.88m
9.0ft	2.74m	5.48fc	4.5ft	1.37m	4.3ft	1.31m
12ft	3.66m	3.08fc	5.9ft	1.79m	5.8ft	1.76m
15ft	4.57m	1.97fc	7.4ft	2.25m	7.2ft	2.19m
18ft	5.49m	1.37fc	8.9ft	2.71m	8.6ft	2.62m

Delivered Lumen: 137.4 lm
 ■ Vertical Beam Spread : 27.8°
 ■ Horizontal Beam Spread : 27.0°

Polar Candela Distribution



Beam Width: 30°

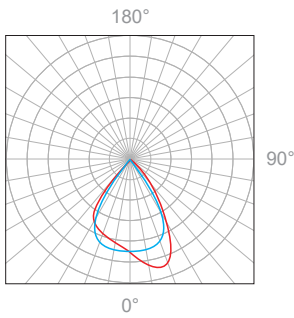


Illuminance at a Distance

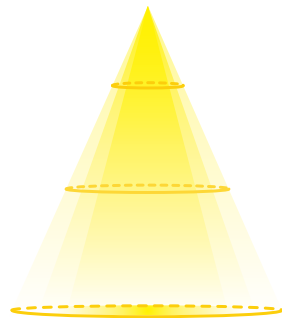
Distance		Center Beam fc	Beam Width			
3.0ft	0.91m	45.2fc	1.7ft	0.51m	1.6ft	0.48m
6.0ft	1.83m	11.3fc	3.4ft	1.03m	3.3ft	1.00m
9.0ft	2.74m	5.02fc	5.1ft	1.55m	4.9ft	1.49m
12ft	3.66m	2.82fc	6.8ft	2.07m	6.5ft	1.98m
15ft	4.57m	1.81fc	8.4ft	2.56m	8.2ft	2.50m
18ft	5.49m	1.26fc	10.1ft	3.07m	9.8ft	2.98m

Delivered Lumen: 144.9 lm
 ■ Vertical Beam Spread : 31.4°
 ■ Horizontal Beam Spread : 30.4°

Polar Candela Distribution



Beam Width: 45°



Illuminance at a Distance

Distance		Center Beam fc	Beam Width			
3.0ft	0.91m	16.4fc	3.0ft	0.91m	3.3ft	1.00m
6.0ft	1.83m	4.11fc	6.0ft	1.82m	6.6ft	2.01m
9.0ft	2.74m	1.83fc	9.0ft	2.74m	9.9ft	3.01m
12ft	3.66m	0.58fc	11.9ft	3.62m	13.2ft	3.02m
15ft	4.57m	0.37fc	14.9ft	4.54m	16.5ft	5.03m
18ft	5.49m	0.26fc	17.9ft	5.45m	19.8ft	6.03m

Delivered Lumen: 144.4 lm
 ■ Vertical Beam Spread : 52.9°
 ■ Horizontal Beam Spread : 57.6°