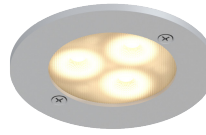


# L57

## INTERIOR

Millwork & Cabinet | For ceilings, counters & cabinets

● Dry location



Shown with with **NA** (no accessories)



Shown with with **SH** (metal shroud, silver)  
\* Refer to Appendix for other shroud options.

### Ordering Information

Clear Form

Date : \_\_\_\_\_

Quantity : \_\_\_\_\_

Project : \_\_\_\_\_

Note : \_\_\_\_\_

Type : \_\_\_\_\_

### Specifications

Luminaire | Example Code: L57-C-3-W30H-N-NA-MA

Product	Mounting	Version	CCT & CRI <sup>1</sup>	Beam Angle	Shrouds/Accessories (optional)	Finish <sup>2</sup>
<b>L57</b>	<b>C</b>	<b>3</b>				
	C coil spring clip	3 1W x 3	<b>W22S</b> 2200K 80+ <b>W27H</b> 2700K 90+ <b>W30H</b> 3000K 90+ <b>W35H</b> 3500K 90+ <b>W41H</b> 4100K 90+	<b>N</b> narrow flood 30° <b>F</b> flood 60°	<b>NA</b> no accessories <b>SH</b> metal shroud, silver <b>SHB</b> metal shroud, black	<b>Aluminum Finishes:</b> <b>MA</b> matte clear anodized <b>BA</b> black anodized <b>BZ</b> bronze <b>WH</b> white powder coat

### System Components (Ordered Separately)

Remote Driver : \_\_\_\_\_

\* Consult MP Lighting Website or Factory.

### Important Notes

#### Specification

1. Refer to pg.2 - for Light Quality & Colour Consistency details.
2. Refer to Appendix or MP Lighting website for complete look of luminaire with different trim finish options.

#### Warranty Notes & Disclaimer

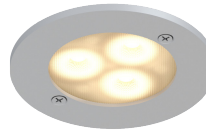
Malfunction and damage to product due to incompatible dimming system or misuse will not be covered under warranty. Consult MP Lighting for recommended drivers. If the fixture has an option to be installed with a dimming control system, consult a dimming system manufacturer with minimum load before installing. MP Lighting reserves the right, at its sole discretion, at any time and without notice, to make design changes to any of our products. Consult MP Lighting website for most updated documentation.

# L57

## INTERIOR

Millwork & Cabinet | For ceilings, counters & cabinets

● Dry location



Shown with with **NA** (no accessories)



Shown with with **SH** (metal shroud, silver)  
\* Refer to Appendix for other shroud options.

### Performance

Wattage	Forward Current	Power Consumption Budget per fixture (including driver)	LED output (Source)	Fixture Output (Delivered)
3W	350mA	3.0W	330 lm	80-197 lm

### Application

Environment	Dry Location approved. IP 40.
Mounting	<b>C:</b> Recessed mount with coil spring clip. Mounts directly to cabinet millwork or mounts to standard 4" octagonal back box (supplied by others) using MP Lighting cover plate (PLT-CS-01, ordered separately) in drywall applications. <b>Cut-out size:</b> Ø2-1/2" (Ø64mm)

### Electrical

Electrical	Remote LED drivers (120-277V AC input, <b>constant current output</b> ): Fixtures to be wired in series. Remote LED drivers (120-277V AC input, <b>constant voltage output</b> ): Fixtures to be wired in parallel.
Control	<b>On/off control</b> <b>Dimming:</b> ELV or 0-10V dimming with appropriate drivers <b>Other options (consult factory):</b> TRIAC/MLV, DMX, DALI, Casambi, Power over Ethernet

### Luminaire Construction

LED Light Source	<b>W22S</b> = CCT: 2200K, CRI (Ra): 80+, Colour Consistency: 3SDCM <b>W27H</b> = CCT: 2700K, CRI (Ra): 90+, Colour Consistency: 2SDCM <b>W30H</b> = CCT: 3000K, CRI (Ra): 90+, Colour Consistency: 2SDCM <b>W35H</b> = CCT: 3500K, CRI (Ra): 90+, Colour Consistency: 2SDCM <b>W41H</b> = CCT: 4100K, CRI (Ra): 90+, Colour Consistency: 3SDCM
Standard Compliance	✓ADA-compliant ✓WELL standard – Feature 58: Color Quality
Weight	N/A
Material	<b>Fixture:</b> machined marine-grade aluminum
Supplied with	<b>Standard installation:</b> Comes with friction fit spring clip or coil spring clip, and 2'(610mm) wire lead.
Warranty & LED Life	5 years limited warranty Estimated useful life of LED is 50,000 hours.

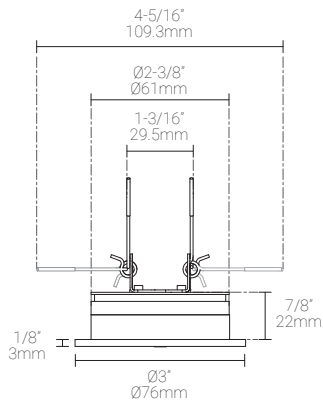
### Ordered Separately

System Components	<b>Power supplies:</b> remote driver Please consult factory or visit <a href="#">Recommended Drivers</a> for available driver options. <b>Mounting Plate for Coil Spring Clip (PLT-CS-01):</b> Refer to pg.4- Mounting Plate for Installation with standard 4" octagonal back box (supplied by others) in drywall applications.
-------------------	---

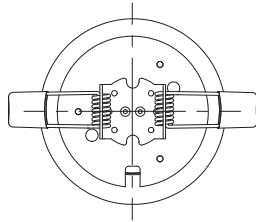
Mounting Options & Dimensions

LED Fixture Dimensions | with C, coil spring clip

Fixture



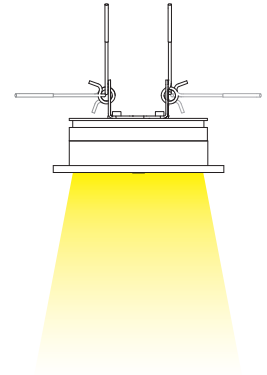
Bottom View



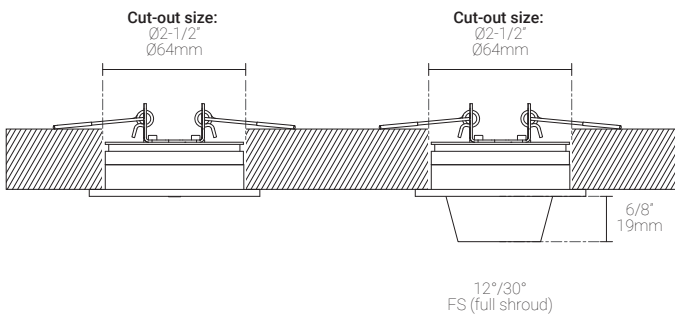
3D View



Beam

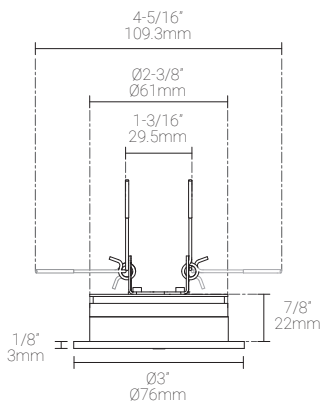


Shroud Options and Dimensions (shown with C, coil spring clip)

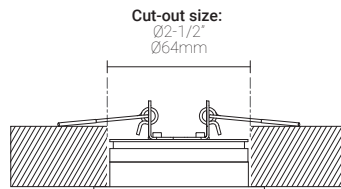


Recessed mount Installation | Shown with C, coil spring clip

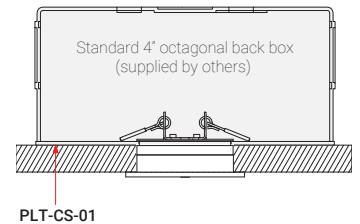
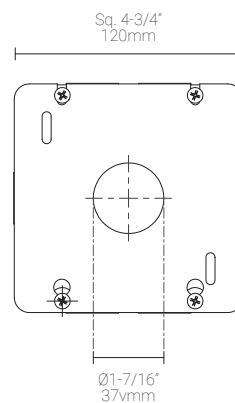
Fixture



Push LED housing with coil spring clip into Ø1-1/2" (Ø38mm) hole until flush with surface.

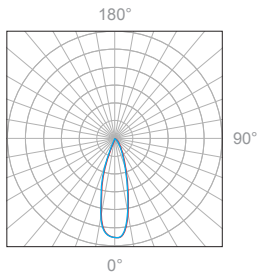


**PLT-CS-01 (ordered separately):** Mounting plate for C, coil spring clip. Compatible with standard 4" back box (supplied by others). Recommended for drywall applications.



3W, 3000K, 90+ CRI, 30°

Polar Candela Distribution  
NA (No Accessories)

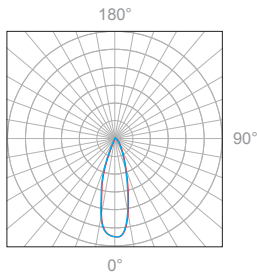


Illuminance at a Distance

Distance		Center Beam fc	Beam Width			
3.0ft	0.91m	196.3fc	0.5ft	0.15m	0.5ft	0.15m
6.0ft	1.83m	46.9fc	0.9ft	0.27m	0.9ft	0.27m
9.0ft	2.74m	24.5fc	1.4ft	0.42m	1.4ft	0.42m
12.0ft	3.66m	13.9fc	1.9ft	0.58m	1.9ft	0.58m
15.0ft	4.57m	9fc	2.3ft	0.70m	2.3ft	0.70m
18.0ft	5.49m	6.4fc	2.8ft	0.85m	2.8ft	0.85m

Delivered Lumen: 197lm  
 ■ Vertical Beam Spread: 26.2°  
 ■ Horizontal Beam Spread: 26.2°

Polar Candela Distribution  
SH (Metal Shroud)



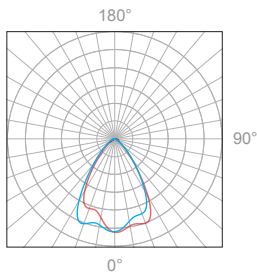
Illuminance at a Distance

Distance		Center Beam fc	Beam Width			
3.0ft	0.91m	131.2fc	0.4ft	0.12m	0.4ft	0.12m
6.0ft	1.83m	30.9fc	0.8ft	0.24m	0.8ft	0.24m
9.0ft	2.74m	16fc	1.2ft	0.37m	1.2ft	0.37m
12.0ft	3.66m	9.2fc	1.6ft	0.49m	1.6ft	0.49m
15.0ft	4.57m	6fc	2.0ft	0.61m	2.0ft	0.61m
18.0ft	5.49m	4.3fc	2.4ft	0.73m	2.4ft	0.73m

Delivered Lumen: 135lm  
 ■ Vertical Beam Spread: 22.9°  
 ■ Horizontal Beam Spread: 22.9°

3W, 3000K, 90+ CRI, 60°

Polar Candela Distribution  
NA (No Accessories)

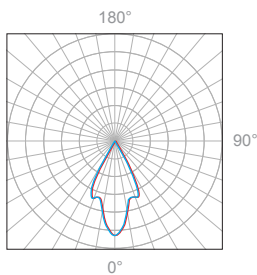


Illuminance at a Distance

Distance		Center Beam fc	Beam Width			
3.0ft	0.91m	56.5fc	1.2ft	0.37m	1.2ft	0.37m
6.0ft	1.83m	14.9fc	2.4ft	0.73m	2.4ft	0.73m
9.0ft	2.74m	5.4fc	3.6ft	1.10m	3.6ft	1.10m
12.0ft	3.66m	3.3fc	4.8ft	1.46m	4.8ft	1.46m
15.0ft	4.57m	2.1fc	5.9ft	1.80m	5.9ft	1.80m
18.0ft	5.49m	1.6fc	7.1ft	2.16m	7.1ft	2.16m

Delivered Lumen: 143lm  
 ■ Vertical Beam Spread: 70.8°  
 ■ Horizontal Beam Spread: 70.8°

Polar Candela Distribution  
SH (Metal Shroud)



Illuminance at a Distance

Distance		Center Beam fc	Beam Width			
3.0ft	0.91m	40.5fc	1.0ft	0.30m	1.0ft	0.30m
6.0ft	1.83m	10.1fc	2.0ft	0.61m	2.0ft	0.61m
9.0ft	2.74m	4.5fc	3.1ft	0.94m	3.1ft	0.94m
12.0ft	3.66m	2.6fc	4.1ft	1.25m	4.1ft	1.25m
15.0ft	4.57m	1.6fc	5.1ft	1.55m	5.1ft	1.55m
18.0ft	5.49m	1.2fc	6.1ft	1.86m	6.1ft	1.86m

Delivered Lumen: 135lm  
 ■ Vertical Beam Spread: 54.2°  
 ■ Horizontal Beam Spread: 54.2°

Appendix

Aluminum Finishes



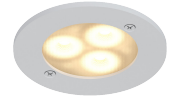
**MA** matte clear anodized  
**NA** no accessories



**BA** black anodized  
**NA** no accessories



**BZ** bronze  
**NA** no accessories



**WH** white powder coat  
**NA** no accessories



**MA** matte clear anodized  
**SH** metal shroud, silver



**BA** black anodized  
**SHB** metal shroud, black