

# L613

## INTERIOR

Surface Mount Downlight | For ceilings, counters & cabinets

● Dry location



### Ordering Information

Clear Form

Date : \_\_\_\_\_

Project : \_\_\_\_\_

Type : \_\_\_\_\_

Quantity : \_\_\_\_\_

Note : \_\_\_\_\_

### Specifications

Luminaire | Example Code: L613-MA

Product    Finish <sup>1</sup>

**L613**

**Aluminum Finishes:**

- MA** matte clear anodized
- BA** black anodized

**Architectural Finishes:**

- WO** white oak
- TK** teak
- WN** walnut
- ML** maple
- CO** concrete

### System Components (Ordered Separately)

Remote Driver : \_\_\_\_\_

\* Consult MP Lighting Website or Factory.

### Important Notes

**Specification**

1. Refer to Appendix or MP Lighting website for complete look of luminaire with different finish options.

**Warranty Notes & Disclaimer**

Malfunction and damage to product due to incompatible dimming system or misuse will not be covered under warranty. Consult MP Lighting for recommended drivers. If the fixture has an option to be installed with a dimming control system, consult a dimming system manufacturer with minimum load before installing. MP Lighting reserves the right, at its sole discretion, at any time and without notice, to make design changes to any of our products. Consult MP Lighting website for most updated documentation.

# L613

## INTERIOR

Surface Mount Downlight | For ceilings, counters & cabinets

● Dry location



### Application

Environment	Dry Location approved. IP 20.
Mounting	Mounts to a 4" octagonal box using the provided adapter plate. <b>Cut-out size:</b> Ø 3". During installation, the octagonal boxes must be set back with adapter plates installed before the electrical box openings on drywall are either (1) cut to exact hole size, or (2) finished with drywall compound for any oversized holes.

### Luminaire Construction

LED Light Source	Lamp supplied by others. <b>Recommended:</b> GU10 LED or Nichia NV4L144ART LED
Weight	N/A
Material	<b>Fixture:</b> machined marine-grade aluminum
Supplied with	<b>Standard installation housing:</b> Comes with an adapter plate, two #8-32 screws, and wire nuts.
Warranty & LED Life	5 years limited warranty Estimated useful life of LED is 50,000 hours.

### Ordered Separately

System Components	Lamp
-------------------	------

Mounting Options & Dimensions

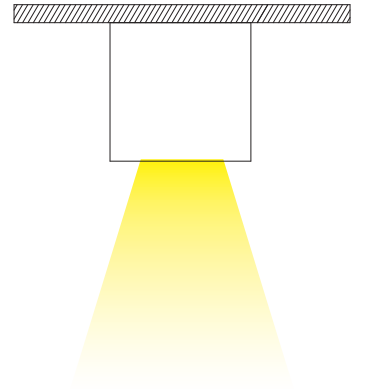
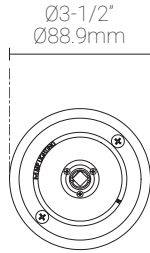
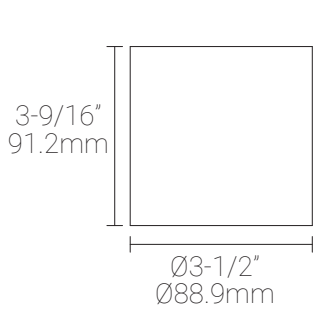
LED Fixture Dimensions

Fixture

Bottom View (with lamp supplied by others)

3D View

Beam (with lamp supplied by others)



Appendix

Aluminum Finishes



MA matte clear anodized



BA black anodized

Architectural Finishes



WO white oak



TK teak



WN walnut



ML maple



CO concrete