

# L721

EXTERIOR | INTERIOR

Wall-mount | For walls

• Wet, Damp, and Dry location



## Ordering Information

Clear Form

Date : \_\_\_\_\_

Quantity : \_\_\_\_\_

Project : \_\_\_\_\_

Note : \_\_\_\_\_

Type : \_\_\_\_\_

## Specifications

Luminaire | Example Code: L721-8-W30H-N-C-MA

Product	Version	CCT & CRI <sup>1</sup>	Beam Angle	Lens	Finish <sup>2</sup>
L721	8				
	8 8W	W27H 2700K 90+ W30H 3000K 90+	S spot 12° N narrow flood 30° F flood 40°	C clear F frosted	<b>Aluminum Finishes:</b> MA matte clear anodized BK black powder coated BZ bronze powder coated

### System Components (Ordered Separately)

Remote Driver : \_\_\_\_\_

\* Consult MP Lighting Website or Factory.

### Important Notes

#### Specification

1. Refer to pg.2 - for Light quality and colour consistency details.
2. Refer to Appendix or MP Lighting website for complete look of luminaire with different finish options.

#### Warranty Notes & Disclaimer

Malfunction and damage to product due to incompatible dimming system or misuse will not be covered under warranty. Consult MP Lighting for recommended drivers. If the fixture has an option to be installed with a dimming control system, consult a dimming system manufacturer with minimum load before installing. MP Lighting reserves the right, at its sole discretion, at any time and without notice, to make design changes to any of our products. Consult MP Lighting website for most updated documentation.

# L721

EXTERIOR | INTERIOR

Wall-mount | For walls

- Wet, Damp, and Dry location



## Performance

Wattage	Forward Current	Power Consumption Budget per fixture (including driver)	LED output (Source)	Fixture Output (Delivered)
8W	700mA	9W	880 lm	602-608 lm

## Application

Environment	Wet / Damp / Dry Location approved. IP 66.
Mounting	Mounts to standard 4" (102mm) back box (ordered separately). Can be positioned facing up or down. <b>Minimum depth:</b> 1-1/2" (38mm)

## Electrical

Power Supplies	Built-in 120V input, ELV dimmable LED driver.
Control	<b>On/off control</b> <b>Dimming:</b> ELV dimming <b>Other options (consult factory):</b> 227V input (non-dim), 0-10V, TRIAC/MLV, DMX, DALI, Casambi, Power over Ethernet

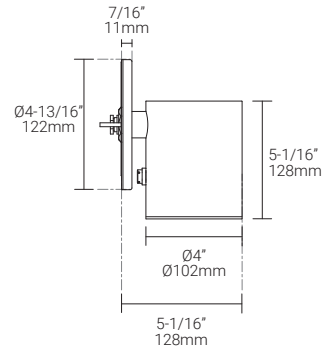
## Luminaire Construction

LED Light Source	<b>W27H</b> = CCT: 2700K, CRI (Ra): 90+, Colour Consistency: 2SDCM <b>W30H</b> = CCT: 3000K, CRI (Ra): 90+, Colour Consistency: 2SDCM
Standard Compliance	✓WELL standard – Feature 58: Color Quality
Weight	4lbs (1.8kg)
Material	<b>Fixture:</b> machined marine-grade aluminum with tempered glass
Supplied with	<b>Standard installation housing:</b> Comes with LED unit, canopy, universal crossbar, hex socket head screws (2), waterproof wire nuts (2), and allen key <b>Driver:</b> Built-in ELV dimmable driver
Warranty & LED Life	5 years limited warranty Estimated useful life of LED is 50,000 hours.

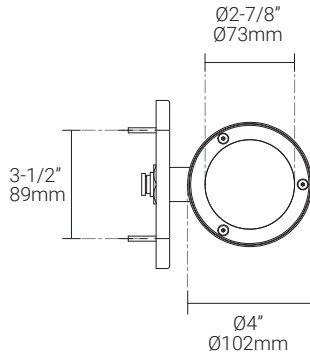
## Mounting Options & Dimensions

### LED Insert Dimensions

Fixture



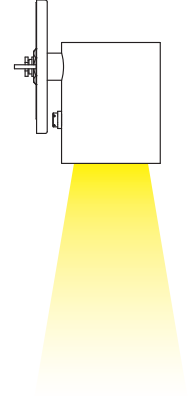
Top View



3D View



Beam



## Appendix

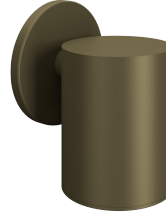
### Aluminum Finishes



MA matte clear anodized

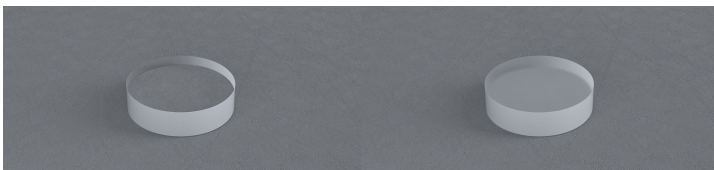


BK black powder coated



BZ bronze powder coated

### Lens Options

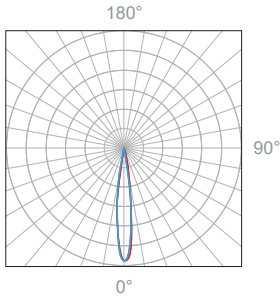


C clear lens

F frosted

8W, 3000K, 90+ CRI, Clear lens

**Polar Candela Distribution**



**Beam Width: 12°**

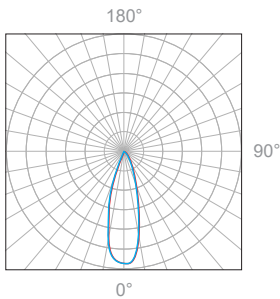


**Illuminance at a Distance**

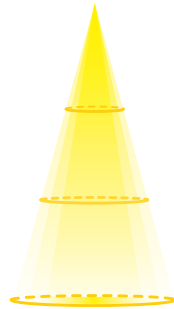
Distance		Center Beam fc	Beam Width			
3.0ft	0.91m	1157fc	0.5ft	0.15m	0.5ft	0.15m
6.0ft	1.83m	289fc	1.0ft	0.30m	0.9ft	0.27m
9.0ft	2.74m	129fc	1.4ft	0.42m	1.4ft	0.42m
12.0ft	3.66m	72.3fc	1.9ft	0.58m	1.8ft	0.54m
15.0ft	4.57m	46.3fc	2.4ft	0.73m	2.3ft	0.70m
18.0ft	5.49m	32.1fc	2.9ft	0.88m	2.7ft	0.82m

Delivered Lumen: 607.9 lm  
 ■ Vertical Beam Spread: 9.1°  
 ■ Horizontal Beam Spread: 8.7°

**Polar Candela Distribution**



**Beam Width: 30°**

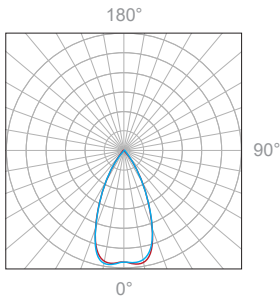


**Illuminance at a Distance**

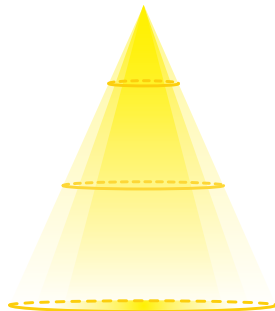
Distance		Center Beam fc	Beam Width			
3.0ft	0.91m	199fc	1.5ft	0.46m	1.5ft	0.46m
6.0ft	1.83m	49.7fc	3.0ft	0.91m	3.0ft	0.91m
9.0ft	2.74m	22.1fc	4.5ft	1.37m	4.5ft	1.37m
12.0ft	3.66m	12.4fc	5.9ft	1.79m	6.0ft	1.82m
15.0ft	4.57m	7.95fc	7.4ft	2.25m	7.5ft	2.28m
18.0ft	5.49m	5.52fc	8.9ft	2.71m	9.1ft	2.77m

Delivered Lumen: 606.4 lm  
 ■ Vertical Beam Spread: 27.8°  
 ■ Horizontal Beam Spread: 28.2°

**Polar Candela Distribution**



**Beam Width: 40°**



**Illuminance at a Distance**

Distance		Center Beam fc	Beam Width			
3.0ft	0.91m	128fc	2.1ft	0.64m	2.2ft	0.67m
6.0ft	1.83m	31.9fc	4.1ft	1.25m	4.4ft	1.34m
9.0ft	2.74m	14.2fc	6.2ft	1.89m	6.6ft	2.01m
12.0ft	3.66m	7.97fc	8.2ft	2.50m	8.8ft	2.68m
15.0ft	4.57m	5.10fc	10.3ft	3.14m	11.0ft	3.35m
18.0ft	5.49m	3.54fc	12.3ft	3.75m	13.2ft	4.02m

Delivered Lumen: 602.4 lm  
 ■ Vertical Beam Spread: 37.8°  
 ■ Horizontal Beam Spread: 40.4°