

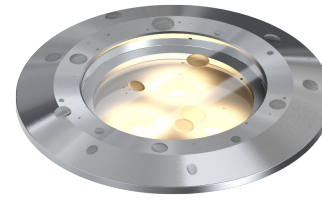
# U05

**UNDERWATER: CHLORINATED WATER, FRESH WATER & SEA WATER**  
 In-grade | Submersed under water up to 10' (3m) depth.

• Underwater/Swimming Pool Certified

CSA - CLASS 3425 09 -Submersible

CSA - CLASS 3425 89 -Submersible - Certified to US Standards



## Ordering Information

Clear Form

Date : \_\_\_\_\_

Quantity : \_\_\_\_\_

Project : \_\_\_\_\_

Note : \_\_\_\_\_

Type : \_\_\_\_\_

## Specifications

**Luminaire** | Example Code: U05-7-W30H-N-C-HM2-0-MK1-B-12-S6

Product	Version	CCT & CRI <sup>1</sup>	Beam Angle	Lens	Accessories <sup>2</sup> (optional)	Internal Angle Bracket <sup>3</sup>	Mounting Kit <sup>4</sup> (optional)	Flange & Back Box	Lead Length <sup>5</sup>	Trim Finish
<b>U05</b>										<b>S6</b>
	3 1Wx3 7 2.5Wx3	<b>W22S</b> 2200K 80+ <b>W27H</b> 2700K 90+ <b>W30H</b> 3000K 90+ <b>W35H</b> 3500K 90+ <b>W41H</b> 4100K 90+	<b>S</b> spot 12° <b>N</b> narrow flood 30° <b>F</b> flood 60°	<b>C</b> clear <b>F</b> frosted	<b>HM2</b> hex louver, matte anodized <b>HB2</b> hex louver, black anodized <b>AB2</b> angled louver, black anodized <b>SB2</b> straight louver, black anodized <b>QB2</b> square louver, black anodized <b>RB2</b> ring louver, black anodized <b>NB2</b> narrow louver, black	<b>0</b> no angle <b>30</b> 30° angle <b>X</b> custom	<b>MK1</b> vertical surface	<b>B</b> back box <b>F</b> flange only	<b>15</b> 15' (4572mm) <b>X</b> custom	<b>Stainless Steel Finishes:</b> <b>S6</b> stainless steel 316

### System Components (Ordered Separately)

Pool-certified power supply : \_\_\_\_\_

\* Consult MP Lighting Website or Factory.

### Important Notes

#### Specification

1. Refer to pg.2 - for Colour Consistency details.
2. With NB2 option, Beam Angle and Angle Bracket cannot be selected.
3. Internal angle bracket is factory set, and cannot be field adjusted. 5° increments to maximum of 30° without accessories. Maximum 15° angle with accessories.
4. Mounting kit is ordered separately. Please consult factory.
5. Custom length available by 1° increments.

#### Warranty Notes & Disclaimer

Malfunction and damage to product due to incompatible dimming system or misuse will not be covered under warranty. Consult MP Lighting for recommended drivers. If the fixture has an option to be installed with a dimming control system, consult a dimming system manufacturer with minimum load before installing. MP Lighting reserves the right, at its sole discretion, at any time and without notice, to make design changes to any of our products. Consult MP Lighting website for most updated documentation.

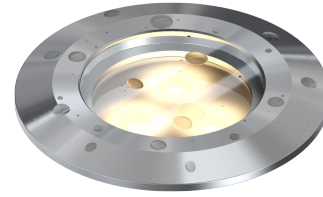
# U05

**UNDERWATER: CHLORINATED WATER, FRESH WATER & SEA WATER**  
 In-grade | Submersed under water up to 10' (3m) depth.

- Underwater/Swimming Pool Certified

CSA - CLASS 3425 09 -Submersible

CSA - CLASS 3425 89 -Submersible - Certified to US Standards



## Performance

Wattage	Supply Voltage	Power Consumption Budget per fixture (including driver)	LED output (Source)	Fixture Output (Delivered)
3W	12V	3.6W	330 lm	117-173 lm
7.5W	12V	8.0W	825 lm	189-275 lm

## Application

Environment	Dry / Damp / Wet/ Underwater Location approved. IP 68.
Mounting	<b>Recessed:</b> Designed to be cast into earth, gravel, or concrete for submersed applications. <b>MK1 mounting kit (optional):</b> Recommended for easy installation on vertical surfaces (e.g. stair risers, walls), and downward-facing surfaces (e.g. ceilings, soffits). See "Mounting Options & Dimensions," or visit <a href="#">MK1</a>

## Electrical

Power Supplies	Compatible with remote pool-certified power supplies
Control	On/off control

## Luminaire Construction

LED Light Source	<b>W22S</b> = CCT: 2200K, CRI (Ra): 80+, Colour Consistency: 3SDCM <b>W27H</b> = CCT: 2700K, CRI (Ra): 90+, Colour Consistency: 2SDCM <b>W30H</b> = CCT: 3000K, CRI (Ra): 90+, Colour Consistency: 2SDCM <b>W35H</b> = CCT: 3500K, CRI (Ra): 90+, Colour Consistency: 3SDCM (Contact factory for 2SDCM option) <b>W41H</b> = CCT: 4100K, CRI (Ra): 90+, Colour Consistency: 3SDCM
Weight	N/A
Material	<b>Fixture:</b> Stainless steel (316) with tempered glass
Supplied with	<b>Standard installation housing:</b> Comes with a 304 stainless steel square back box, an brass/stainless steel 316 flange, an integral leveling device, a plastic cap, and silicone grease. <b>Wire lead:</b> 15' (4572mm)
Warranty & LED Life	5 years limited warranty Estimated useful life of LED is 50,000 hours.

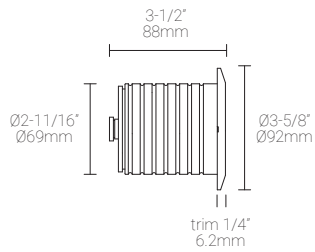
## Ordered Separately

System Components	<b>Power supplies:</b> remote power supply Please consult factory or visit <a href="#">Recommended Drivers</a> for available driver options. <b>Mounting kits:</b> MK1
-------------------	--

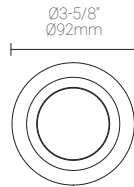
## Mounting Options & Dimensions

### LED Insert Dimensions

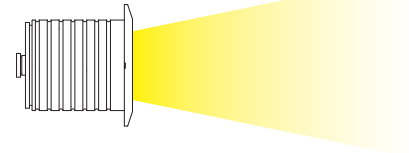
Fixture



Top View

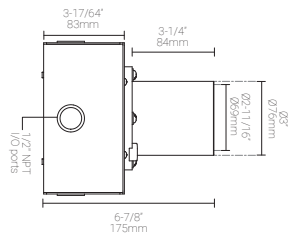


3D View

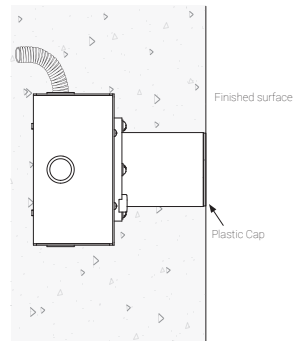


### In-ground Installation (shown with MP Lighting Back Box | Order Code: EBX-SQR1-DSBR)

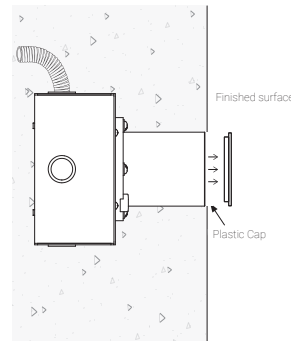
Box with Standard Flange



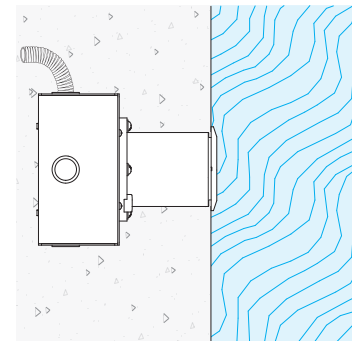
Box with Standard Flange:  
During Concrete Installation



Box with Standard Flange:  
During Concrete Installation



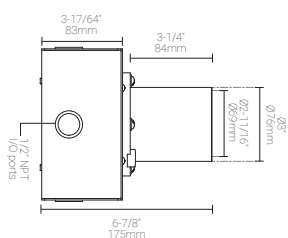
Box with Standard Flange:  
Complete Concrete Installation



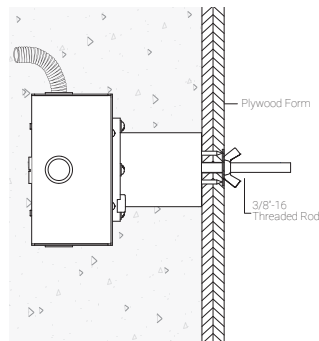
### Mounting Kit

#### MK1: Ceiling, Wall, and Stair Riser Installation (shown with MP Lighting Back Box | Order Code: EBX-SQR1-DSBR)

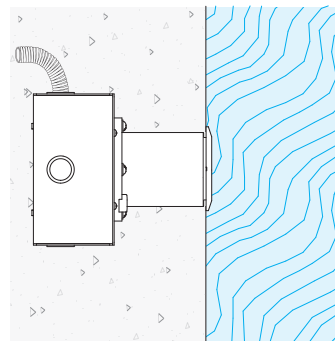
Box with Standard Flange



Box with Standard Flange & MK1:  
During Installation



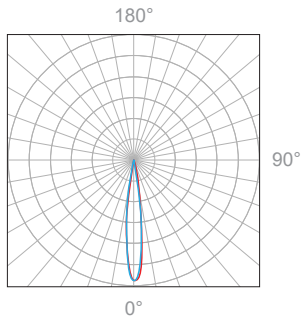
Box with Standard Flange:  
Complete Installation



6" (152mm) threaded rod is supplied. Thread size: 3/8"-16

3W, 3000K, 90+ CRI

Polar Candela Distribution



Beam Width: 12°

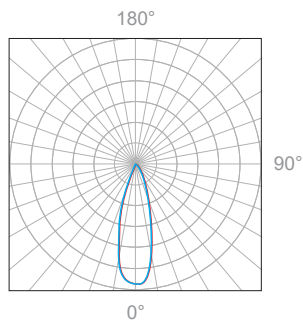


Illuminance at a Distance

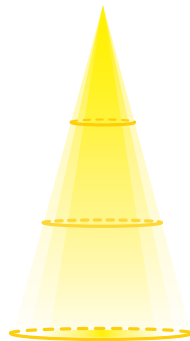
Distance		Center Beam	Beam Width			
1.5ft	0.46m	1454fc	0.5ft	0.15m	0.5ft	0.15m
3.0ft	0.91m	347fc	1.0ft	0.30m	1.0ft	0.30m
4.5ft	1.37m	160fc	1.5ft	0.46m	1.5ft	0.46m
6.0ft	1.83m	94fc	2.0ft	0.61m	2.0ft	0.61m
7.5ft	2.29m	59fc	2.5ft	0.76m	2.5ft	0.76m
9.0ft	2.74m	41fc	3.1ft	0.94m	3.1ft	0.94m
12ft	3.66m	18fc	4.1ft	1.25m	4.1ft	1.25m
15ft	4.57m	11fc	5.1ft	1.55m	5.1ft	1.55m
18ft	5.49m	8.5fc	6.1ft	1.86m	6.1ft	1.86m

Delivered Lumen: 154.8lm  
 ■ Vertical Beam Spread: 19.2°  
 ■ Horizontal Beam Spread: 19.2°

Polar Candela Distribution



Beam Width: 30°

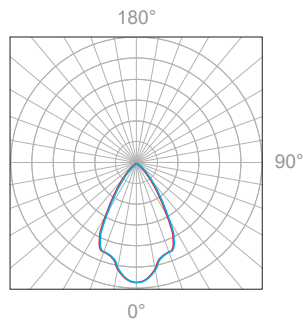


Illuminance at a Distance

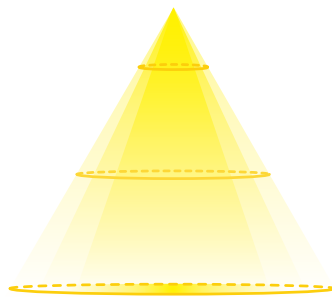
Distance		Center Beam	Beam Width			
1.5ft	0.46m	851fc	0.8ft	0.24m	0.8ft	0.24m
3.0ft	0.91m	210fc	1.6ft	0.49m	1.6ft	0.49m
4.5ft	1.37m	93fc	2.4ft	0.73m	2.4ft	0.73m
6.0ft	1.83m	53fc	3.2ft	0.98m	3.2ft	0.98m
7.5ft	2.29m	34fc	3.9ft	1.19m	3.9ft	1.19m
9.0ft	2.74m	24fc	4.7ft	1.43m	4.7ft	1.43m
12ft	3.66m	12fc	6.3ft	1.92m	6.3ft	1.92m
15ft	4.57m	8.3fc	7.9ft	2.41m	7.9ft	2.41m
18ft	5.49m	5.8fc	9.5ft	2.90m	9.5ft	2.90m

Delivered Lumen: 172.7lm  
 ■ Vertical Beam Spread: 29.5°  
 ■ Horizontal Beam Spread: 29.5°

Polar Candela Distribution



Beam Width: 60°

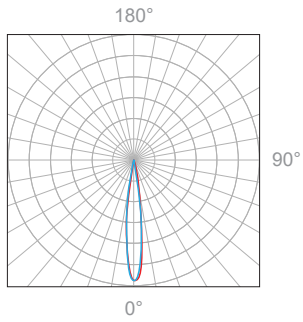


Illuminance at a Distance

Distance		Center Beam	Beam Width			
1.5ft	0.46m	230fc	1.7ft	0.52m	1.7ft	0.52m
3.0ft	0.91m	54fc	3.5ft	1.07m	3.5ft	1.07m
4.5ft	1.37m	22fc	5.2ft	1.58m	5.2ft	1.58m
6.0ft	1.83m	12fc	7.0ft	2.13m	7.0ft	2.13m
7.5ft	2.29m	7.8fc	8.7ft	2.65m	8.7ft	2.65m
9.0ft	2.74m	5.7fc	10.5ft	3.20m	10.5ft	3.20m
12ft	3.66m	3fc	14.0ft	4.27m	14.0ft	4.27m
15ft	4.57m	2fc	17.4ft	5.30m	17.4ft	5.30m
18ft	5.49m	1.5fc	20.9ft	6.37m	20.9ft	6.37m

Delivered Lumen: 117.5lm  
 ■ Vertical Beam Spread : 60.4°  
 ■ Horizontal Beam Spread : 60.4°

**Polar Candela Distribution**



**Beam Width: 12°**

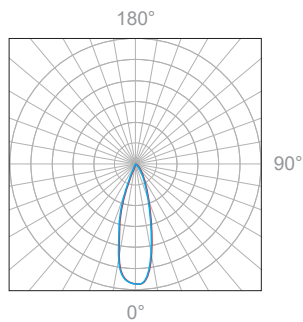


**Illuminance at a Distance**

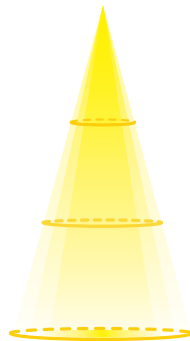
Distance		Center Beam	Beam Width			
1.5ft	0.46m	2610fc	0.5ft	0.15m	0.5ft	0.15m
3.0ft	0.91m	640fc	1.0ft	0.30m	1.0ft	0.30m
4.5ft	1.37m	293fc	1.5ft	0.46m	1.5ft	0.46m
6.0ft	1.83m	169fc	2.0ft	0.61m	2.0ft	0.61m
7.5ft	2.29m	109fc	2.5ft	0.76m	2.5ft	0.76m
9.0ft	2.74m	75fc	3.1ft	0.94m	3.1ft	0.94m
12ft	3.66m	35fc	4.1ft	1.25m	4.1ft	1.25m
15ft	4.57m	21fc	5.1ft	1.55m	5.1ft	1.55m
18ft	5.49m	15fc	6.1ft	1.86m	6.1ft	1.86m

Delivered Lumen: 247.1lm  
 ■ Vertical Beam Spread: 19.2°  
 ■ Horizontal Beam Spread: 19.2°

**Polar Candela Distribution**



**Beam Width: 30°**

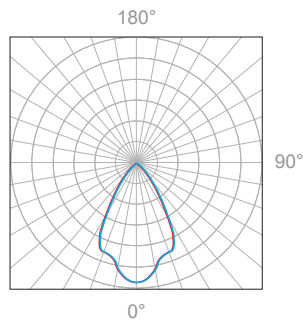


**Illuminance at a Distance**

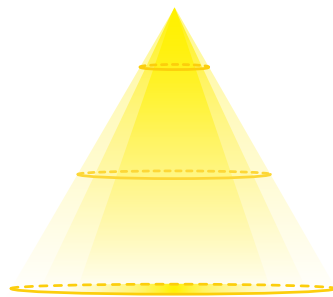
Distance		Center Beam	Beam Width			
1.5ft	0.46m	1520fc	0.8ft	0.24m	0.8ft	0.24m
3.0ft	0.91m	379fc	1.6ft	0.49m	1.6ft	0.49m
4.5ft	1.37m	168fc	2.4ft	0.73m	2.4ft	0.73m
6.0ft	1.83m	94fc	3.2ft	0.98m	3.2ft	0.98m
7.5ft	2.29m	60fc	3.9ft	1.19m	3.9ft	1.19m
9.0ft	2.74m	42fc	4.7ft	1.43m	4.7ft	1.43m
12ft	3.66m	23fc	6.3ft	1.92m	6.3ft	1.92m
15ft	4.57m	15fc	7.9ft	2.41m	7.9ft	2.41m
18ft	5.49m	10fc	9.5ft	2.90m	9.5ft	2.90m

Delivered Lumen: 275.5lm  
 ■ Vertical Beam Spread: 29.5°  
 ■ Horizontal Beam Spread: 29.5°

**Polar Candela Distribution**



**Beam Width: 60°**

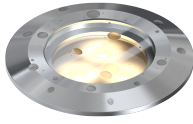


**Illuminance at a Distance**

Distance		Center Beam	Beam Width			
1.5ft	0.46m	403fc	1.7ft	0.52m	1.7ft	0.52m
3.0ft	0.91m	95fc	3.5ft	1.07m	3.5ft	1.07m
4.5ft	1.37m	39fc	5.2ft	1.58m	5.2ft	1.58m
6.0ft	1.83m	22fc	7.0ft	2.13m	7.0ft	2.13m
7.5ft	2.29m	14fc	8.7ft	2.65m	8.7ft	2.65m
9.0ft	2.74m	10fc	10.5ft	3.20m	10.5ft	3.20m
12ft	3.66m	5.7fc	14.0ft	4.27m	14.0ft	4.27m
15ft	4.57m	3fc	17.4ft	5.30m	17.4ft	5.30m
18ft	5.49m	2fc	20.9ft	6.37m	20.9ft	6.37m

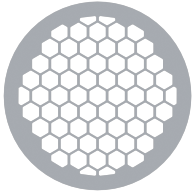
Delivered Lumen: 189.4lm  
 ■ Vertical Beam Spread : 60.4°  
 ■ Horizontal Beam Spread : 60.4°

Appendix

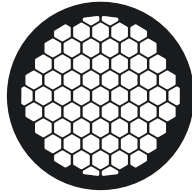


S6 stainless steel 316

Accessories



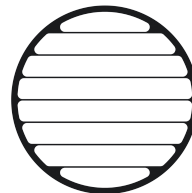
HM2 hex louver, matte clear anodized



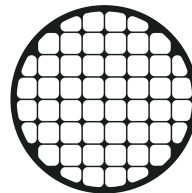
HB2 hex louver, black anodized



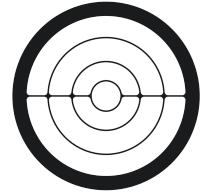
AB2 angled louver, black anodized



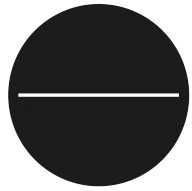
SB2 straight louver, black anodized



QB2 square louver, black anodized



RB2 ring louver, black anodized



NB2 narrow beam louver, black