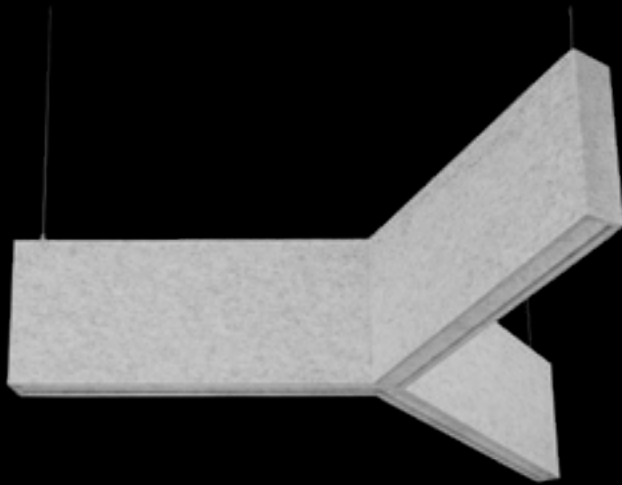
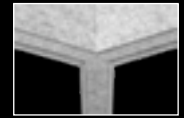


Seem® 1 Acoustic Trio

LED INDIRECT



The Naturals collection - Direct companion in Gray Elm shown



Center detail

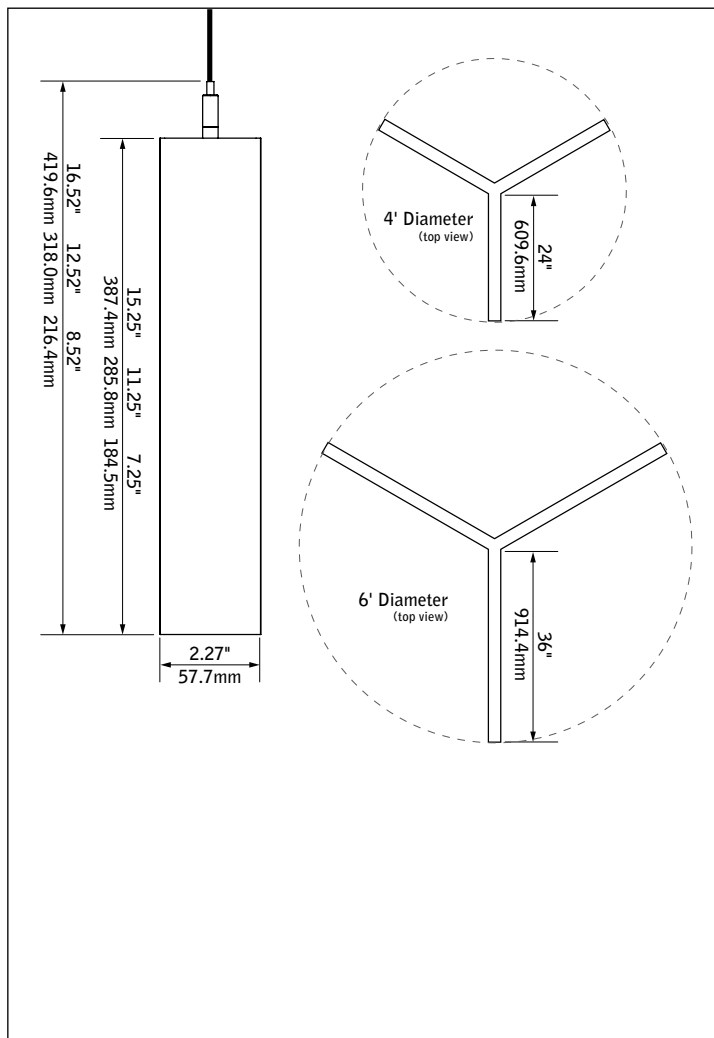


Unlit companion



Seem 1 Acoustic companion

DIMENSIONAL DATA



FEATURES

Narrow, sound absorbing 1.5" aperture 'Y' shaped acoustic pendant with indirect distribution.

Available in 4' and 6' diameters with 8", 12", and 16" nominal housing heights.

LED position and lens material optimized to provide the perfect blend of high performance and visual comfort.

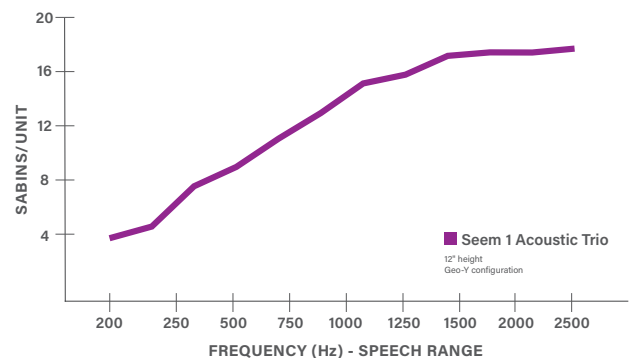
Engineered to maximize sound absorption and to create a statement as a stand-alone pendant, in a cluster or as part of a system when paired with Seem 1 Acoustic.

AirCore™, patent pending, eco-friendly technology that maximizes sound absorption and reduces ecological impact.

Wide range of color options provides design flexibility and personalization for any project.

Available with The Naturals, a series of finishes that exude biophilic beauty.

ACOUSTIC PERFORMANCE

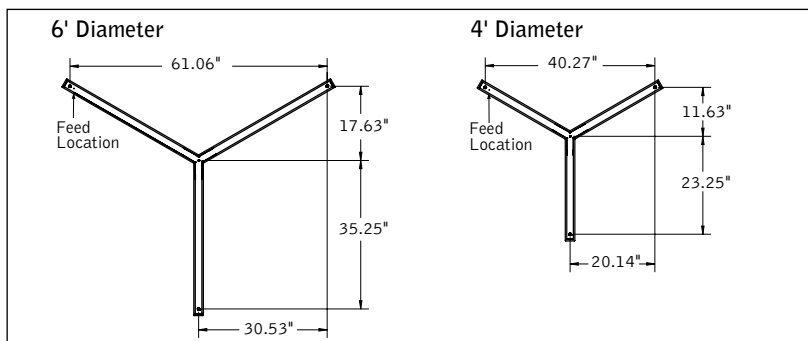


All products were tested in multiple configured arrays. Total absorption will vary based on configuration. Please refer to ASTM C423 reports for more information.

fixture:

project:

MOUNTING DETAILS



SPECIFICATIONS

Acoustic Material

Content	Housing material is 100% polyester containing up to 50% of recycled plastic bottles (PET felt) and is moisture resistant. See page 3 for color offering. Acoustic material colors are subject to change without notice. For the most current color options, please visit focalpointlights.com/acousticsolutions. Lead times may vary depending on color.
Cleaning and Care	Remove dust and debris with a clean, soft, lint-free cloth or vacuum
PET Thickness	9mm
Surface Burning Characteristics	ASTM E84 Class A / CAN ULC S102 Flame Spread: 0 Smoke Development Index: 300

Acoustic Performance

Acoustic testing is performed on all Focal Point acoustic products and varies based on installation and configuration. ASTM C423 test reports can be downloaded from focalpointlights.com. Contact acoustic.solutions@focalpointlights.com for technical questions.

Sabins	Sabins is a unit of sound absorption. It measures how well one square foot of material absorbs sound. Focal Point has averaged the Sabins per unit at four specific frequency bands representing the human speech range (250, 500, 1000, 2000 Hz) to determine the Sabins per product. Sabins/unit varies based on configuration: Geo Y Configuration = 12.24 Sabins Staggered Hex Configuration = 12.07 Sabins
---------------	--

LED System

Proprietary linear LED module incorporates premium LEDs on a robust platform to achieve excellent thermal management. LEDs are placed to promote a uniform appearance. Available in 3000K, 3500K or 4000K with both 80 and 90 CRI options. LED drivers are replaceable from above. Color accuracy <3 SDCM.

Weight

12" height, 4' diameter = 17.5lbs. 12" height, 6' diameter = 26.3lbs.

Optic

Reflectors fabricated of 22 Ga. steel finished in Matte White powder coat. Extruded acrylic lens .05" thick with frosted finish, up to 8' continuous. 0.02" thick clear acrylic dust cover.

Mounting

Minimum mounting height 7.5" from the ceiling.

Electrical

Luminaires are pre-wired with factory installed branch circuit wiring and over-molded quick connects. Standard 120-277V constant current driver includes 0-10V analog dimming. Power factor > .9. Power cord white as standard.

Canopy

Polyester powder coat applied over a multi-stage pre-treatment. Canopy white as standard.

Labels

ETL listed in accordance with UL standards. Suitable for Dry Locations, indoor use only.

Lumen Maintenance

Reported: L70 at >61,000 hours Calculated: L70 at 470,000 hours
L90 at >61,000 hours L90 at 115,000 hours

Derived from EPA TM-21 calculator. Based on typical conditions, consult factory for additional data.

Reliability

At Focal Point, our products are designed to stand the test of time. Each luminaire is engineered using superior components, manufactured with the utmost care and rigorously tested. Contact us for reliability data.

Warranty

LED system rated for operation in ambient environments up to 25°C and when mounted no less than 7.5" from the ceiling. 5-year limited warranty.

4' PERFORMANCE CHART

See page 4

Focal Point LLC reserves the right to change specifications for product improvement without notification.

ORDERING

Luminaire Series	ASM1TIP
Seem 1 Acoustic Trio Indirect	ASM1TIP

Nominal Size

4' Diameter	4
6' Diameter	6

Shielding

Batwing Optic	BW
Dust Cover	DC

Luminaire Height

(heights are nominal)

8" nominal	8
12" nominal	12
16" nominal	16

Indirect Lumen Output

4' Diameter	
750 Lumens	750L
1500 Lumens	1500L
2250 Lumens	2250L
3000 Lumens	3000L
3750 Lumens	3750L
4800 Lumens	4800L
6' Diameter	
1125 Lumens	1125L
2250 Lumens	2250L
3375 Lumens	3375L
4500 Lumens	4500L
5625 Lumens	5625L
7200 Lumens	7200L

Color Temperature

3000K, 80CRI or 90CRI	30K or 930K
3500K, 80CRI or 90CRI	35K or 935K
4000K, 80CRI or 90CRI	40K or 940K

Circuit

Single Circuit	1C
----------------	----

Voltage

120/277 UNV Volt	UNV
------------------	-----

Control System & Dimming Level

0-10V - 10% Dimming	LD1
0-10V - 1% Dimming	L11
Lutron Hi-Lume EcoSystem (LDE1) - 1% Dimming	LH1
DALI 1% Dimming	D11

Mounting

(Mounting hang kits ship with order. Power cable is 18" longer than suspension length.)

24" Cable Suspension	J24
48" Cable Suspension	J48
96" Cable Suspension	J96
120" Cable Suspension	J120

(Specify canopy color White (WH), Black (BK) or Titanium Silver (TS). Example: J24WH.)
(Consult factory for sloped ceiling applications)

Factory Options

Black Cord	BKCD
------------	------

Acoustic Panel Color

See page 3 for color offering
(Consult factory for multi-colored units)

Acoustic Materials



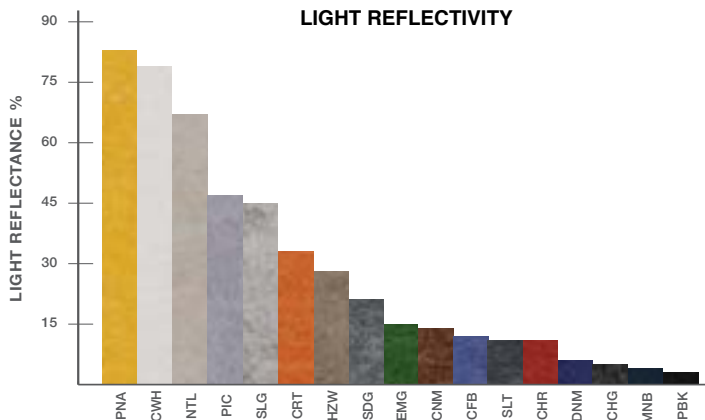
THE NATURALS (25% SCALE)



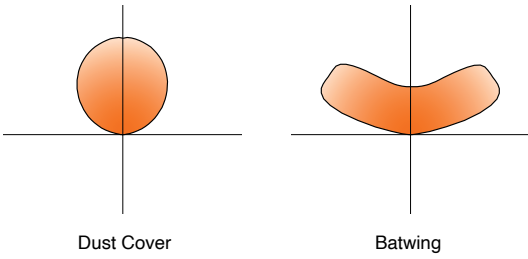
STANDARD PET



PREMIUM PET



4' DIAMETER PERFORMANCE CHART

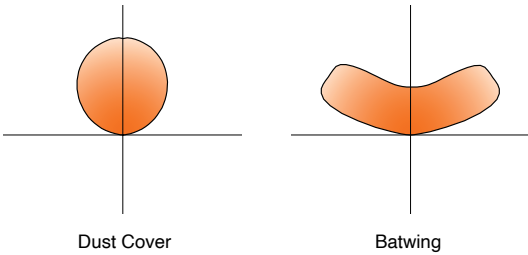


Photometric performance is measured in accordance with IESNA LM-79.
 Visit focalpointlights.com for complete photometric data.

Delivered Lumens	Tested System Watts	LPW
750	6.6	119
1500	11.1	136
2250	16.2	141
3000	21.0	143
3750	27.0	140
4800	35.1	137

*Based on 3500k, 80CRI, 4' lengths. Lumen multipliers: 90 CRI = 0.87. Lumen output may vary +/- 5%. Actual wattage may vary +/- 5%.

6' DIAMETER PERFORMANCE CHART



Photometric performance is measured in accordance with IESNA LM-79.
 Visit focalpointlights.com for complete photometric data.

Delivered Lumens	Tested System Watts	LPW
1125	8.5	136
2250	15.2	151
3375	22.4	151
4500	30.1	151
5625	37.5	149
7200	49.7	145

*Based on 3500k, 80CRI, 4' lengths. Lumen multipliers: 90 CRI = 0.87. Lumen output may vary +/- 5%. Actual wattage may vary +/- 5%.