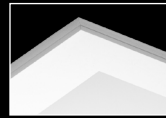


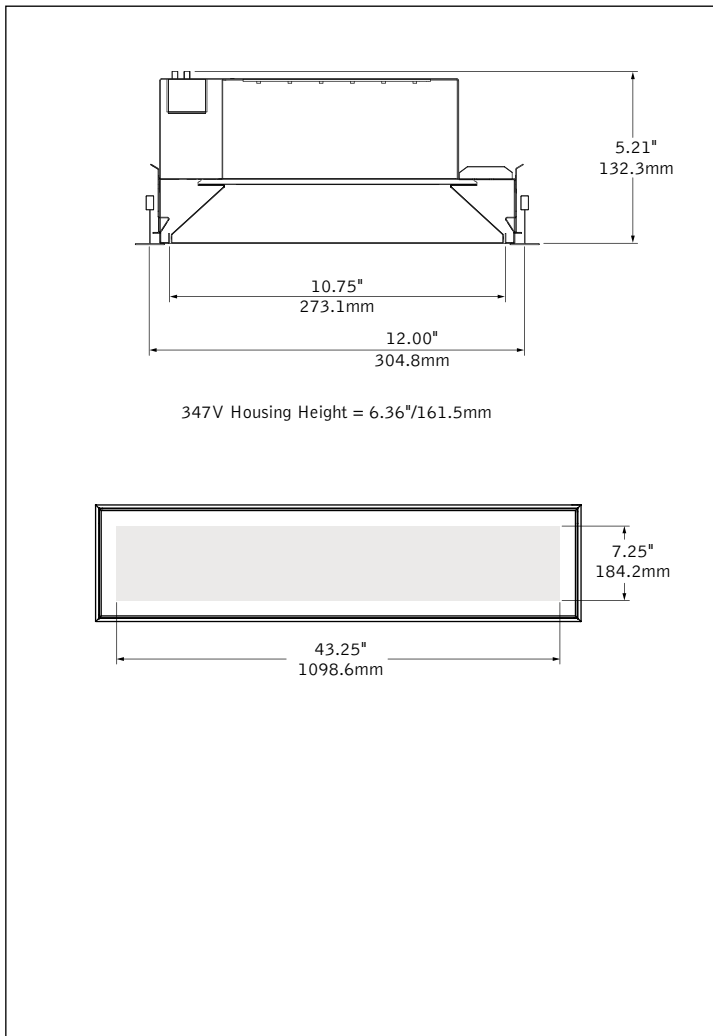
# Zephyr™ 1x4

LED



detail

## DIMENSIONAL DATA



## FEATURES

Architectural recessed 1'x4' with unique floating diffuser.

Lens element features an optical microstructure providing glare control and high levels of efficiency.

Zephyr features a one-piece, hinged bezel assembly that is easily removed for ease of maintenance.

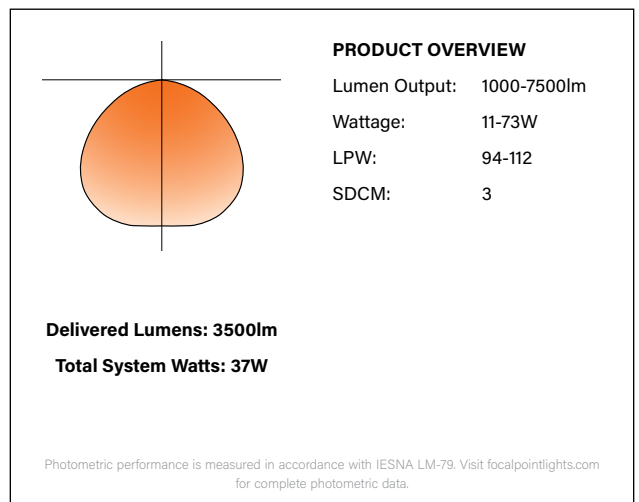
Standard Right Light levels from 1,000 to 7,500 lumens.

Dimming options include DALI, 0-10V and Lutron EcoSystem.

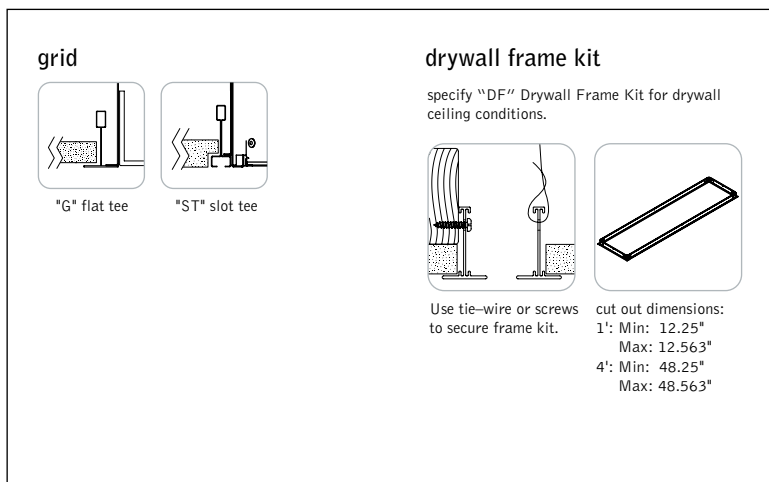
Connected Solutions: Integrates with wired and wireless building lighting control systems.

PoE compatible: Integrates with Power over Ethernet lighting systems via standard, low-voltage wires.

## PERFORMANCE



**DETAILS**



**SPECIFICATIONS**

**LED System**

Proprietary linear LED module incorporates premium LEDs on a robust platform to achieve excellent thermal management. LEDs are placed to promote a uniform appearance. Available in 2700K, 3000K, 3500K or 4000K with CRI>80 or CRI>90. 3500K and 4000K with CRI>90 have a cyanosis observation index (COI) of 3.3 or less. 0-10V dimming driver standard. LED modules and drivers are replaceable from below. Color accuracy <3 SDCM.

**Construction**

24 Ga. steel housing. Bottom access 24 Ga. steel driver compartment. Positional brackets supplied as standard. Weight: 16 lbs.

**Optic**

24 Ga. Steel reflectors finished in matte satin white powder coat. Layered lens system includes .020" thick frosted acrylic and .080" clear acrylic with optical microstructure.

**Electrical**

Standard 120-277V driver includes 0-10V analog dimming, 100% - 10% range. Power factor > .9. PoE compatible: Integrates with Power over Ethernet lighting systems via standard, low-voltage wires.

**Emergency**

Emergency battery output—10 watts for 90 minutes. Maximum mounting height: 23.9ft  
Emergency Circuit with Connected Solutions (DLM1, LMFS1, LMFSD, NLT1, ENL1, CLM1, NXE1, WLXP) requires a UL924 compliant device, consult factory.

**Labels**

UL and cUL listed. Suitable for Dry or Damp Locations, indoor use only.

**Finish**

Polyester powder coat applied over a 5-stage pre-treatment.

**Lumen Maintenance**

Reported: L70 at 42,000 hours                      Calculated: L70 at 115,000 hours  
Derived from EPA TM-21 calculator. Based on typical conditions, consult factory for additional data.

**Reliability**

At Focal Point, our products are designed to stand the test of time. Each luminaire is engineered using superior components, manufactured with the utmost care and rigorously tested. Contact us for reliability data.

**Lifetime and warranty**

LED system rated for operation in ambient environments up to 35°C. 5-year limited warranty.

**PERFORMANCE CHART**

Delivered Lumens	Tested System Watts	LPW	Delivered Lumens	Tested System Watts	LPW
1000	11	94	5000	46	109
1500	15	100	5500	51	108
2000	20	105	6000	58	106
2500	25	102	6500	61	106
3000	30	100	7000	67	104
3500	37	97	7500	73	104
4000	44	94			
4500	40	112			

Based on 3500K, 80 CRI. Lumen multipliers:  
Lumen output may vary +/- 5%. Actual wattage may vary +/- 5%.

**ORDERING**

Luminaire Series	FZR
Zephyr	FZR
<b>Nominal Size</b>	<b>14</b>
1' x 4'	14
<b>Shielding</b>	<b>FL</b>
Frosted Lens	FL
<b>Lumen Output</b>	
1000 Lumens	1000L
1500 Lumens	1500L
2000 Lumens	2000L
2500 Lumens	2500L
3000 Lumens	3000L
3500 Lumens	3500L
4000 Lumens	4000L
4500 Lumens	4500L
5000 Lumens	5000L
5500 Lumens	5500L
6000 Lumens	6000L
6500 Lumens	6500L
7000 Lumens	7000L
7500 Lumens	7500L
<b>Color Temperature</b>	
2700K, 80+ CRI or 90+ CRI	27K or 927K
3000K, 80+ CRI or 90+ CRI	30K or 930K
3500K, 80+ CRI or 90+ CRI	35K or 935K
4000K, 80+ CRI or 90+ CRI	40K or 940K
<b>Circuits</b>	<b>1C</b>
Single Circuit	1C
<b>Voltage</b>	
UNV 120/277 Volt	UNV
347 Volt	347
<small>(LD1, CLM1 only. Not available with EM)</small>	
Low Voltage	LV
<b>Control System &amp; Dimming Level</b>	
0-10V - 10% Dimming	LD1
0-10V - 1% Dimming	L11
Low Voltage, PoE compatible	LVN
<small>(No driver. Not available with EM or EC. LV Voltage only.)</small>	
Lutron Hi-Lume EcoSystem (LDE1) -	LH1
1% Dimming	D11
DALI - 1% Dimming	SD5
Step Dimming	
<small>(120/277 only.)</small>	
Wattstopper DLM - 1% Dimming	DLM1
<small>(Not available with CP.)</small>	
Wattstopper Fixture Sensor	LMFS1
Low Density - 1% Dimming	
<small>(Remote mounted sensor.)</small>	
Wattstopper Fixture Sensor	LMFSD
High Density - 1% Dimming	
<small>(Remote mounted sensor.)</small>	
Acuity nLight - 1% Dimming	NLT1
<small>(Not available with CP.)</small>	
Enlighted Smart Sensor - 1% Dimming	ENL1
<small>(Remote mounted sensor.)</small>	
Encelium CLM Connected Lighting	CLM1
Module - 1% Dimming	
Current NX Enabled - 1% Dimming	NXE1
<small>(Not available with CP.)</small>	
WaveLinx Pro - 1% Dimming	WLXP
<small>(Remote mounted sensor.)</small>	
<b>Mounting</b>	
Drywall Frame Kit	F
<small>(Not available with CLM1, DLM1, NXE1 or NLT1)</small>	
Grid	G
Slot Tee	ST
<b>Factory Options</b>	
Air Return	AR
<small>(Housing height 5.78in/146.7mm. Not compatible with Drywall Frame Kit.)</small>	
Chicago Plenum	CP
<small>(Not available with flex whip)</small>	
Emergency Battery	EM
<small>(120/277 only.)</small>	
6' New York City Flex Whip (120V)	FNY1
6' New York City Flex Whip (277V)	FNY2
6' Flex Whip	FW
<b>Finish</b>	<b>WH</b>
Matte White Housing	WH

Focal Point provides flexibility in meeting the needs of each project by integrating with several building lighting control systems. A variety of sensors, drivers and other components can be specified that allow the luminaires to communicate with wired and wireless networks. All zoning can be digitally reconfigured through the application software. Daylight harvesting, occupancy sensing, integration with HVAC systems, and individual controls enable the monitoring and modulating of light levels and temperature in order to save energy, reduce costs and maximize occupants' comfort. All Connected Solutions luminaires require a compatible building control system.†

Connected Solution	Ordering Code	Model #**	Protocol	Compatible Networks*	Occupancy & Daylight	Temperature Reporting	Communication to Luminaire	Drivers
 <b>legrand</b> <sup>®</sup> WATTSTOPPER <sup>®</sup>	DLM1	LMFC-011	DLM	DLM	Enabled	No	Wired 	<b>Advance by Signify</b> , Optotronic by eldoLED
	LMFS1	LMFS-601 & LMFI-111	DLM Wireless	DLM	Enabled	No	Wireless	<b>Advance by Signify</b>
LMFSD	LMFS-601	Optotronic by eldoLED (Dexal)						
 <b>COOPER</b> Lighting Solutions	WLXP	OEM-WAA	WaveLinx Wireless	WaveLinx Pro Trellix	Enabled	No	Wireless (WaveLinx Pro Wireless Area Controller)	<b>Advance by Signify</b>
 <b>CRESTRON</b>	D11	Specified Driver	DALI	Crestron Züm Wireless & SpaceBuilder	Enabled	No	Wired	<b>eldoLED ECOdrive</b>
	L11		0-10V					<b>Advance by Signify</b>
 <b>ENCELIUM</b>	CLM1	ZBHA-CLM-DIM-ENC	ZigBee	Encelium X Light Management System	Enabled	No	Wireless	<b>Optotronic by eldoLED</b> Advance by Signify
 <b>Enlighted</b>	ENL1	SU-5E-IOT	Enlighted RF	Enlighted	Integrated	Yes	Wireless	<b>Advance by Signify</b>
 <b>LUTRON</b>	LH1	LDE1	EcoSystem	Quantum, Energi Savr Node, Energi TriPak	Enabled	No	Wired	<b>Lutron Hi-Lume</b>
 <b>nLIGHT</b>	NLT1	nEPS-60-IO	nLight	nLight	Enabled	No	Wired	<b>eldoLED ECOdrive</b> , eldoLED SOLOdrive
 <b>NX</b> LIGHTING CONTROLS <sup>™</sup>	NXE1	NXFM-LV	NX	NX Distributed Intelligence	Enabled	No	Wired 	<b>Optotronic by eldoLED</b>

\*Not all compatible networks may be listed. \*\*For performance data and additional control system details please visit the connected solutions manufacturer websites. Primary drivers are listed in **bold**. To specify a particular driver please consult factory. †Controls systems supplied by others.