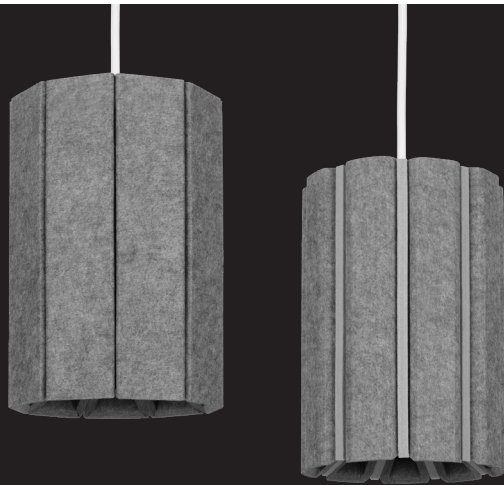
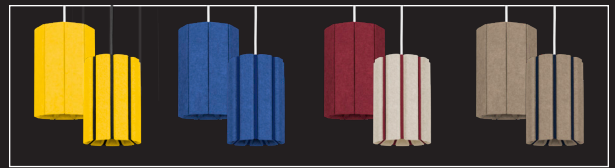


Zyl™ 3

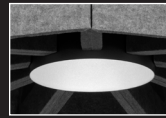
DECORATIVE LED PENDANT



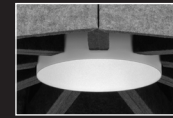
12" height shown



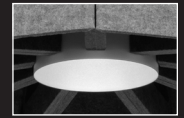
100's of customizable color combinations



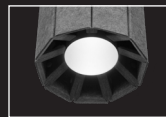
Black trim detail



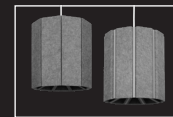
White trim detail



Palladium Silver trim detail



Solid shade detail from below

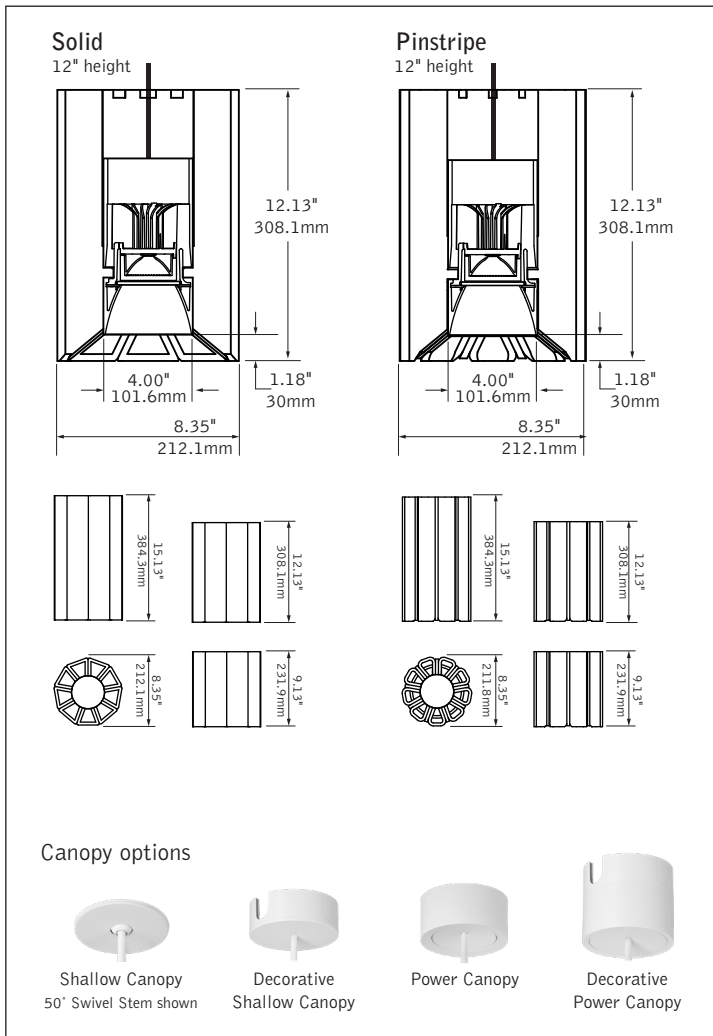


Zyl 4 companions



Cylinder companions

DIMENSIONAL DATA (continued on page 4)



FEATURES

Nominal 8" diameter decorative PET felt shaded pendant.

Available in three heights - 9", 12" and 15".

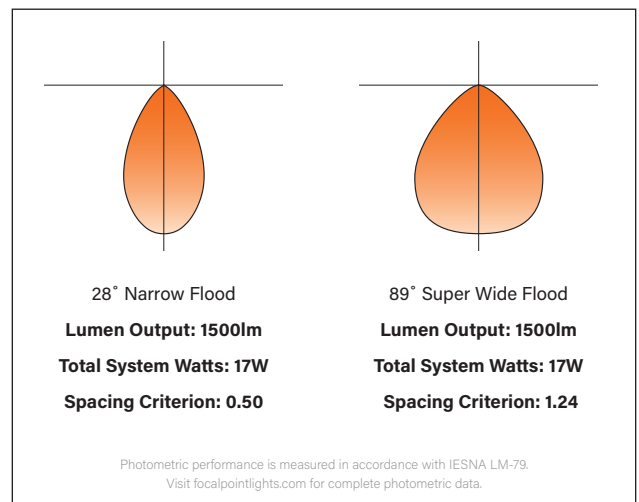
Wide range of color options provides design flexibility and personalization for any project.

Optional Pinstripe detail may be specified in any of the available colors.

50° cut-off available with Solite lens for brightness control and visual comfort.

50° and 80° cut-off available for optimal visual comfort.

PERFORMANCE



fixture:

project:

SPECIFICATIONS

Acoustic Material

Content	Housing material is 100% polyester containing up to 50% of recycled plastic bottles (PET felt) with an ASTM E-84 Class A / CAN ULC S102 fire rating and is moisture resistant. See page 3 for color offering. Acoustic material colors are subject to change without notice. For the most current color options, please visit focalpointlights.com/acousticsolutions. Lead times may vary depending on color.
Cleaning and Care	Remove dust and debris with a clean, soft, lint-free cloth or vacuum
PET Thickness	9mm
NRC	0.9

LED System

Proprietary LED module with single light emitting source. May be specified in 2700K, 3000K, 3500K or 4000K in CRI>80 or CRI>90. Color accuracy within 2 SDCM. Aluminum heat sink provides appropriate thermal management.

Light Engine Construction

Upper housing is extruded aluminum. Lower reflector is die-cast aluminum. Twist & lock construction leaves no visible fasteners within the knife edge trim. Fixture will not exceed 5.07 lbs.

Optics

Beam spreads achieved with optics that may be easily changed in field.

Cut-off degree	Distribution Beam Spread Spacing Criteria				
	NFL	FL1	FL2	WFL	SWFL
50°	28° 0.50	34° 0.59	45° 0.75	57° 0.80	—
80°	—	—	—	—	89° 1.24

Electrical

Choice of constant current dimming drivers. Power factor > .9 typical. L11 & LFP with Shallow Canopy, Integral Driver not Right Light as standard, consult factory.

Emergency

Emergency output —7W for 90 minutes. Maximum mounting height: 16.98 ft. J-box cannot be recessed above the ceiling with Emergency Battery.

Labels

UL and cUL listed. Suitable for Dry Locations, indoor use only.

Trim/Canopy/Stem Finish

Polyester powder coat applied over a multi-stage pre-treatment.

Cleaning and Care

Remove dust and debris with a clean, soft, lint-free cloth or vacuum.

Lumen Maintenance

Reported: L70 > 54,000 hours Calculated: L70 at > 420,000 hours
L90 > 54,000 hours L90 at > 109,000 hours

(Derived from EPA TM-21 calculator. Based on typical conditions, consult factory for additional data.)

Reliability

At Focal Point, our products are designed to stand the test of time. Each luminaire is engineered using superior components, manufactured with the utmost care and rigorously tested. Contact us for reliability data.

Warranty

LED system rated for operation in ambient environments up to 25°C. 5-year limited warranty.

PERFORMANCE TABLE

Lumen Output	Delivered Lumens	System Watts	LPW
700L	736	8	96
1000L	1082	12	94
1500L	1582	17	92
1700L	1743	19	91
2000L	2057	24	86

3500K, 80CRI, Clear Diffuse, Narrow Flood Distribution. Lumen output may vary +/- 5%. Actual wattage may vary +/- 5%.

Focal Point LLC reserves the right to change specifications for product improvement without notification.

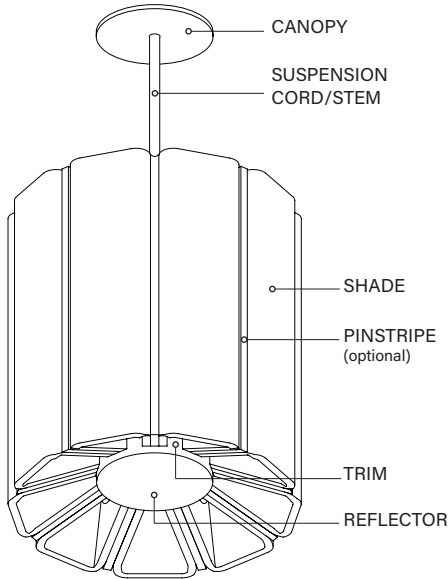
ORDERING

Luminaire Series	DZL3
Zyl 3 Decorative LED Pendant	DZL3
Nominal Height	
9"	9
12"	12
15"	15
Shade Color	---
<small>See page 3 for color offering</small>	
Pinstripe Color	---
<small>See page 3 for color offering</small>	
No Pinstripe	NP
Canopy Type	
Shallow Canopy, Integral Driver*	SC
Shallow Canopy with decorative J-box cover, Integral Driver	DSC
<small>*(L11 & LFP only)</small>	
Power Canopy	PC
Power Canopy with decorative J-box cover	DPC
Canopy Color	
Black	BK
White	WH
Palladium Silver	PS
Suspension Type	
72" Cable, Straight Feed <small>(Cut in field)</small>	C72
144" Cable, Straight Feed <small>(Cut in field)</small>	C144
12", 50° Swivel Stem	B12
18", 50° Swivel Stem	B18
2'- 8' in 1' increments, 50° Swivel Stem	B_
<small>(Specify in inches, example: 8' stem = B96)</small>	
12", Fixed Stem	S12
18", Fixed Stem	S18
2'- 8' in 1' increments, Fixed Stem	S_
<small>(Specify in inches, example: 8' stem = S96)</small>	
Suspension Color	
Black	BK
White	WH
Gray <small>(Cable only)</small>	GRY
Palladium Silver <small>(Stem only)</small>	PS
Reflector Color	CD
Clear Diffuse	CD
Trim Color	
Black	BK
White	WH
Palladium Silver	PS
Lumen Output	
700 Lumens	700L
1000 Lumens	1000L
1500 Lumens	1500L
1700 Lumens <small>(PC & DPC only)</small>	1700L
2000 Lumens <small>(PC & DPC only)</small>	2000L
Color Temperature	
2700K, 80+ CRI or 90+ CRI	27K or 927K
3000K, 80+ CRI or 90+ CRI	30K or 930K
3500K, 80+ CRI or 90+ CRI	35K or 935K
4000K, 80+ CRI or 90+ CRI	40K or 940K
Circuit	1C
Single Circuit	1C
Voltage	
120/277 UNV	UNV
120 Volt	120
277 Volt	277
Control System & Dimming Level	
0-10V - 0% Dimming	LZ1
0-10V - 1% Dimming	L11
Phase Dimming	LFP
<small>(SC only, 120V only)</small>	
<small>Consult factory for recommended dimmers.)</small>	
Lutron Hi-Lume EcoSystem (LDE1) - 1% Dimming	LH1
Lutron Hi-Lume - Forward Phase - 1% Dimming <small>(120V only 1000L Max.)</small>	LTE
DALI - 0% Dimming	DZ1
DALI - 1% Dimming	D11
Optic	
50° Cut-off Cone	DNT
<small>(Not available with SWFL distribution)</small>	
50° Cut-off Cone with Solite Lens	DNTS
<small>(NFL distribution only)</small>	
80° Cut-off Cone <small>(SWFL distribution only)</small>	DSS
Distribution	
Narrow Flood	NFL
Flood 1	FL1
Flood 2	FL2
Wide Flood	WFL
Super Wide Flood	SWFL
Factory Options	
Emergency Battery	EMR
<small>(J-box cannot be recessed above the ceiling. Remote test switch.)</small>	

Decorative Finishes



Finish Diagram



Canopy/Stem/Trim Paint Finishes



Cord Colors



PET Material

STANDARD COLORS



PREMIUM COLORS*



Declare.

9mm PET Felt
Focal Point, LLC

Final Assembly: Chicago, Illinois, USA
Life Expectancy: 30 Year(s)
End of Life Options: Salvageable/Reusable in its Entirety, Recyclable (100%)

Ingredients:

Polyethylene terephthalate; PET; N, N'-Ethylene bisstearamide; Octadecanamide; N,N'-1,2-ethanedilybis-; Stearic Acid; Stearic Acid; Antioxidant 1076; Benzenepropanoic acid, 3,5-bis(1-(dimethylethyl)-4-hydroxy-, octadecyl ester); Antioxidant KY-405; Benzeneamine, 4-(1-methyl-1-phenylethyl)-; N-[4-(1-methyl-1-phenylethyl)phenyl]-; Titanium Dioxide; Titanium dioxide

Living Building Challenge Criteria: Compliant

I-13 Red List:
 LBC Red List Free % Disclosed: 100% at 100ppm
 LBC Red List Approved VOC Content: Not Applicable
 Declared

I-10 Interior Performance: CDPH Standard Method v1.1-2010
 I-14 Responsible Sourcing: Not Applicable

FPL-0001
 EXP: 01 MAR 2024
 Original Issue Date: 2020

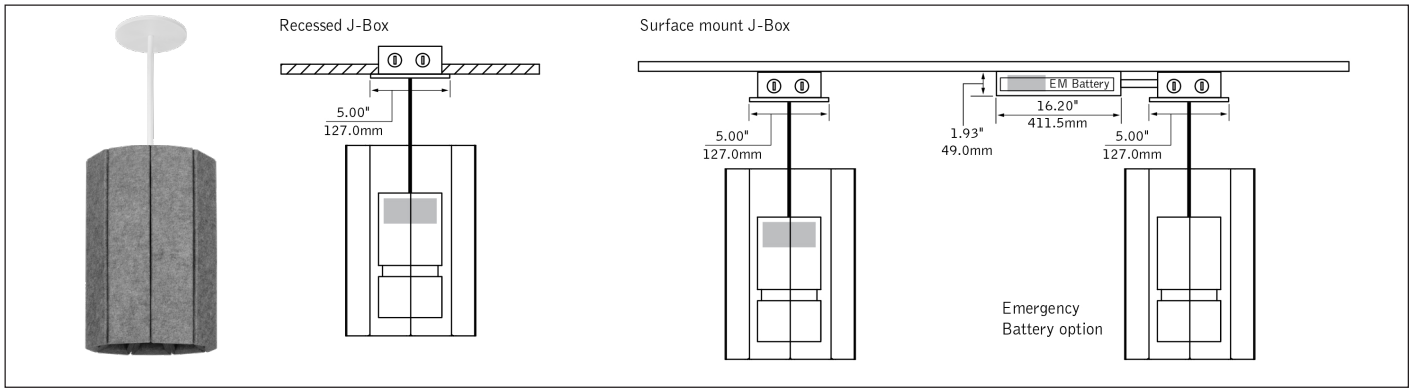
MANUFACTURED RESPONSIBLY FOR LABEL ACCURACY
 INTERNATIONAL LIVING FUTURE INSTITUTE™ living-future.org/declare

*Contact factory for lead time and pricing.

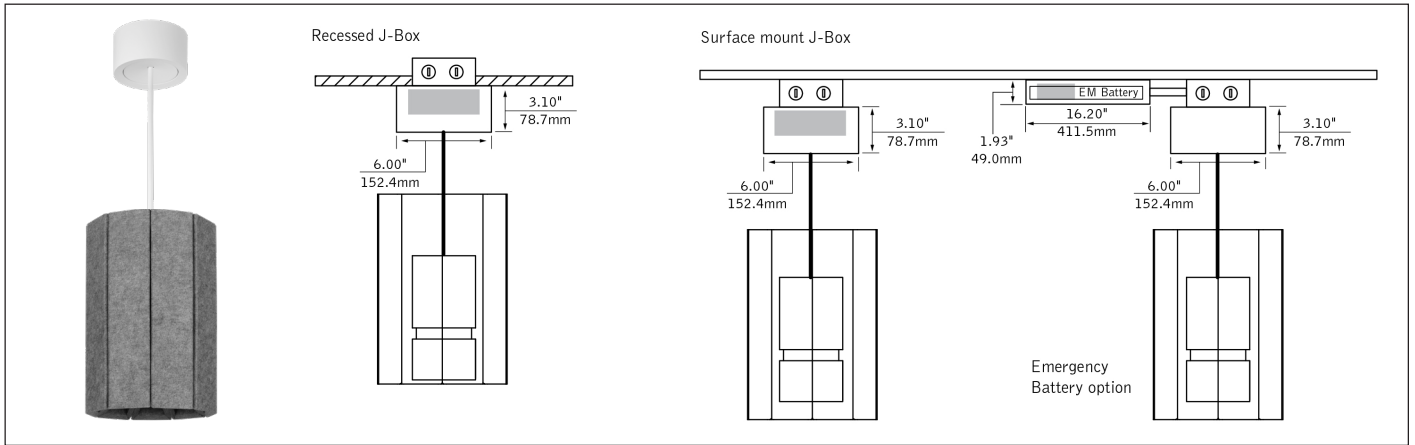
DIMENSIONAL DATA CONTINUED

SC - Shallow Canopy (Integral driver)

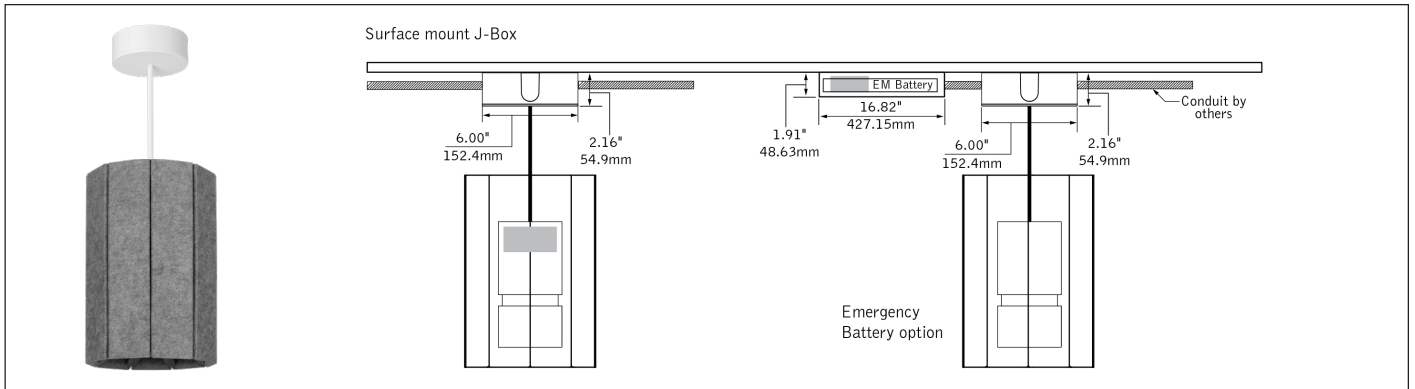
■ Indicates Driver Location



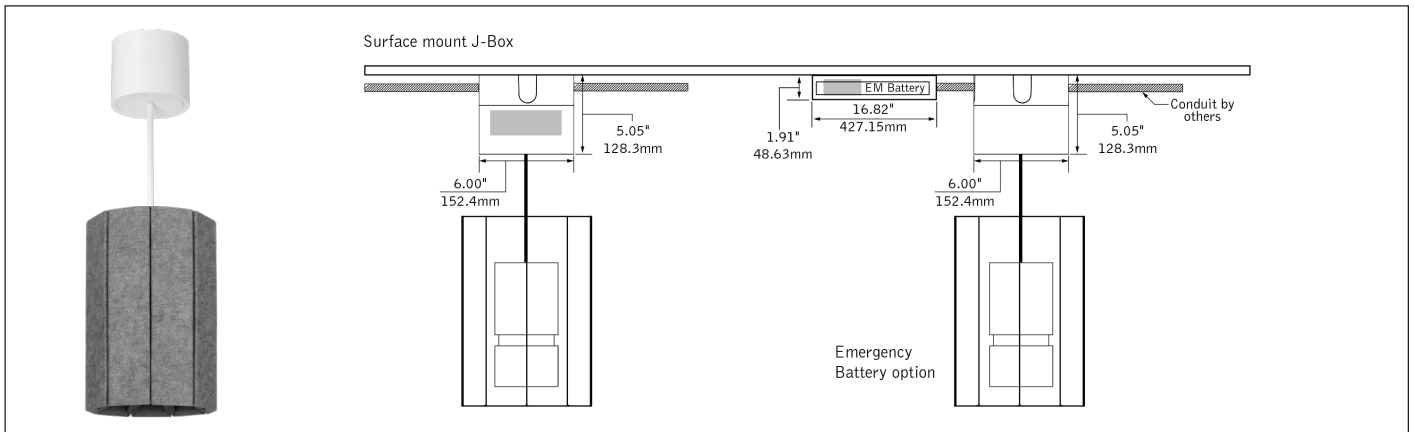
PC - Power Canopy



DSC - Shallow Canopy with decorative J-box cover, Integral Driver

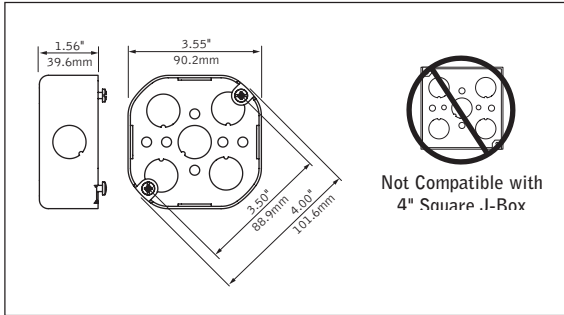


DPC - Power Canopy with decorative J-box cover



DIMENSIONAL DATA CONTINUED

4" Octagonal J-box required (By others)



LUMEN MULTIPLIER TABLE

Color Temperature & CRI

Trim Type	Optic	Color Temperature	Multiplier
Round [RD]	ALL	2700K, 80+ CRI [27K]	0.93
		2700K, 90+ CRI [927K]	0.78
		3000K, 80+ CRI [30K]	0.97
		3000K, 90+ CRI [930K]	0.81
		3500K, 80+ CRI [35K]	1.00
		3500K, 90+ CRI [935K]	0.83
		4000K, 80+ CRI [40K]	1.01
		4000K, 90+ CRI [940K]	0.86

Optic & Distribution

Trim Type	Optic	Distribution	Multiplier
Round [RD]	Tall Cone, 50° cut-off [DNT]	Narrow Flood (28°) [NFL]	1.00
		Flood 1 (34°) [FL1]	0.89
		Flood 2 (45°) [FL2]	0.75
		Wide Flood (57°) [WFL]	0.75
	Tall Cone, 50° cut-off with Solite Lens [DNLS]	Narrow Flood (28°) [NFL]	0.97
	Super Short Cone, 80° cut-off [DSS]	Super Wide Flood (89°) [SWFL]	0.74

Multiplier tables are provided to aid with estimation of lumen levels across options. Apply multipliers against ordered Lumen Output to estimate Delivered Lumens. Refer to IES files for most accurate photometric information.

How To Use Lumen Multipliers

Formula: (Lumen Output Value) x (Color Temperature & CRI) x (Optic & Distribution)

Example: DZL3-XX-XX-XX-XX-XX-XX-XX-CD-XX-1000L-935K-1C-UNV-XX-DNT-FL1
 (1000) x (0.83) x (0.87) ≈ 722 lm (estimated delivered lumens)