

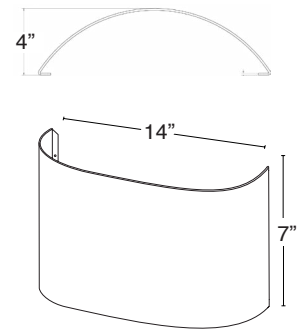
Curve 14"W x 7"H



CU14W7H is a personal approach to building the perfect fixture for your project. Sconce can be ordered as a stand alone fixture or you can add one of our decorative elements.

REVIT & IES FILES AVAILABLE

MODULE	Available with rectangular module, 15W, for optimal light output. Circular 10W module available, however not optimal for lamp shade illumination. Both modules field replaceable.
RATED LIFETIME	L70 100,000+ hours
SHADE	Vandal resistant. IK10 UL Certified. Protected against 20 joules of impact.
CERTIFICATIONS	UL Damp Listed, IK10 UL Certified, Title24 Optional JA8
WARRANTY	10 Years
WATTAGE	15W, 10W
CRI	90+
DIMMING	Triac/ELV
WEIGHT	3 LBS
PROJECTION	4", ADA Compliant



FIXTURE	MODULE	WATTS	DELIVERED LUMENS: RESIN SHADE	DELIVERED LUMENS: WHITE OPAL ACRYLIC	INPUT
CU14W7H	AU-R15W	15W	1115	1394	120V, 277V
	AU-C10W	10W	696	870	120V, 277V

Note: For Gold Shimmer, Linear Cross, and Cayenne resin, multiply delivered lumens by .8

Optional Decorative Elements

Assembly required, refer to installation guide

Wood or Metal Powder Coat Finish:



WOOD U-CHANNEL LARGE, **DE3B**
SUGAR PALM HORIZONTAL, **SPH**

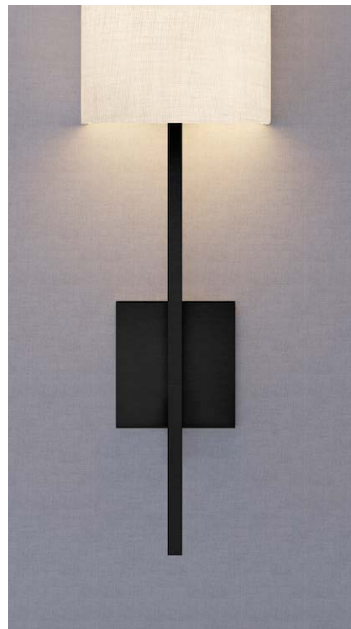
Metal with Powder Coat Finish:



WOOD U-CHANNEL SMALL, **DE3A**
SUGAR PALM (HOR), **SPH**

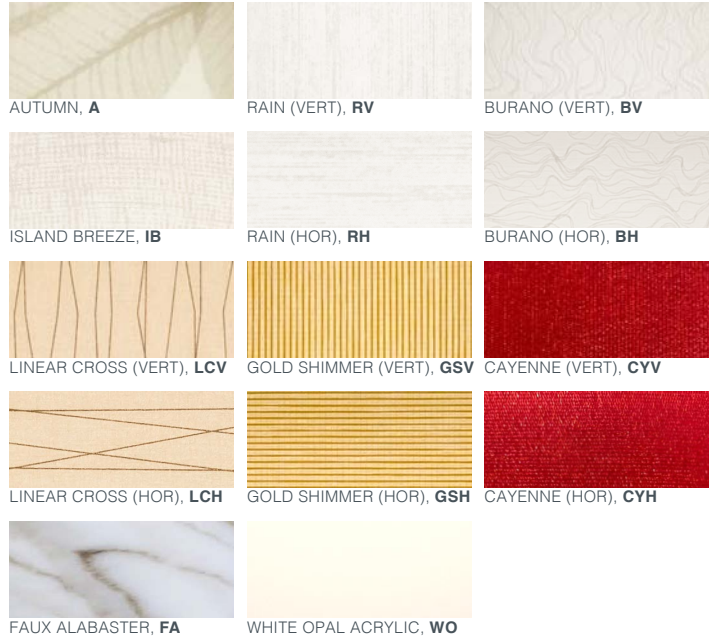


24" DOOR PANEL, **DP24A**
SUGAR PALM (VERT), **SPV**

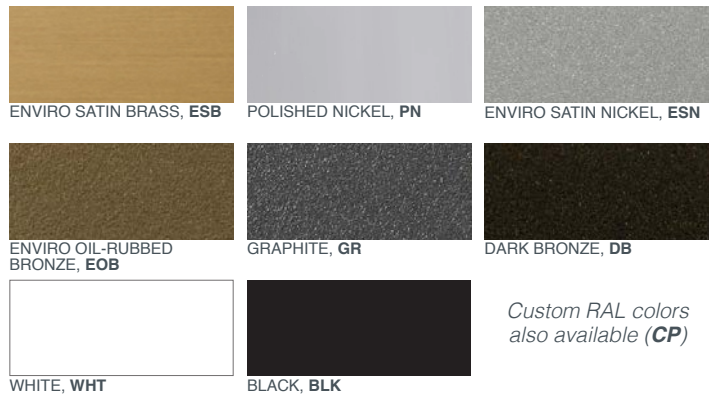


MODERN ARMATURE, **DE10A**
BLACK, **BLK**

Architectural Resin



Metal Powder Coat Finishes



Wood Finishes (U-Channel & Door Panel Decorative Elements Only)

