

AJ TABLE

Designed by Arne Jacobsen



Description

The fixture emits downward directed light. The angle of the screen can be adjusted approximately 90 degrees up and down to optimize light distribution. The shade is painted white on the inside to ensure a soft comfortable light.

Variants

| VARIANT NUMBER | COLOR, RAL | W / H / L (IN) / W (LB) |
|----------------|--------------------------|--------------------------|
| 5744905217 | WHT, 024 | - / 22 / 8.5 IN / 3.9 LB |
| 5744905220 | BLACK, 314 | - / 22 / 8.5 IN / 3.9 LB |
| 5744905301 | PALE PETROLEUM, 447 | - / 22 / 8.5 IN / 2.1 LB |
| 5744909718 | ELECTRIC ORANGE | - / - / - IN / 2.1 LB |
| 5744909721 | SOFT LEMON | - / - / - IN / 2.1 LB |
| 5744909734 | WARM SAND | - / - / - IN / 2.1 LB |
| 5744909747 | DUSTY BLUE | - / - / - IN / 2.1 LB |
| 5744909750 | WARM GREY | - / - / - IN / 2.1 LB |
| 5744915061 | STAINL STEEL POLISH, 957 | - / 22 / 8.5 IN / 6.9 LB |

Materials & Finishes

MATERIALS

Base: Die cast zinc. Shade: Spun steel. Stem: Steel.

FINISHES

louis poulsen

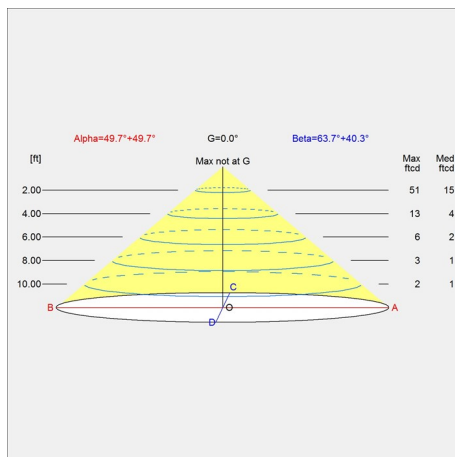
White, Black, Pale Petroleum, Warm Sand, Soft Lemon, Electric Orange, Dusty Blue, Warm Grey, Stainless Steel Polished.

Mounting

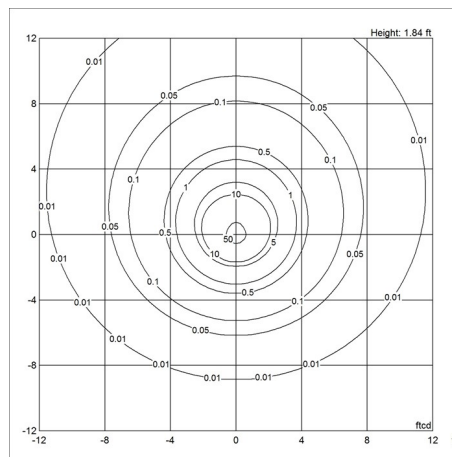
Cord type: White (White finish), black (non-white finish). Cord length: 10'. Switch: On/off switch on the base. For mounting instructions, see download section on the product detail page.

Light distribution diagrams

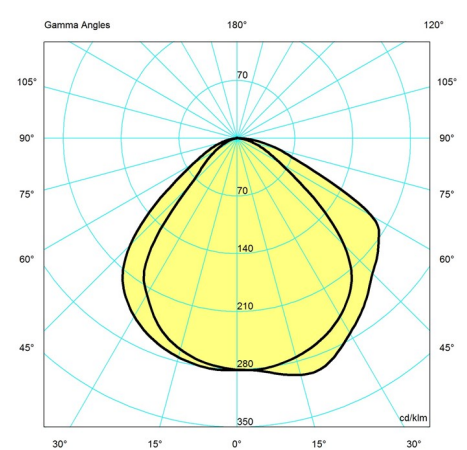
CARTESIAN



ISOLUX



POLAR



Variant Options

For particular variant options, please check our online Product Variants Configurator on the product detail page.

| VARIANT NO. | LIGHT SOURCE | VOLTAGE/FRQ | LUMEN | FEATURES | CABLE |
|-------------|-------------------|-------------|-------|----------|------------|
| 5744905217 | 1x15W A-19/medium | 120V | 506 | - | White cord |
| 5744905220 | 1x15W A-19/medium | 120V | 506 | - | Black cord |
| 5744905301 | 1x15W A-19/medium | 120V | 506 | - | Black cord |
| 5744909718 | | 120V | | - | White cord |
| 5744909721 | | 120V | | - | White cord |
| 5744909734 | | 120V | | - | White cord |
| 5744909747 | | 120V | | - | Black cord |
| 5744909750 | | 120V | | - | Black cord |
| 5744915061 | 1x15W A-19/medium | 120V | 506 | - | Black cord |